

8 7 6 5 4 3 2 1

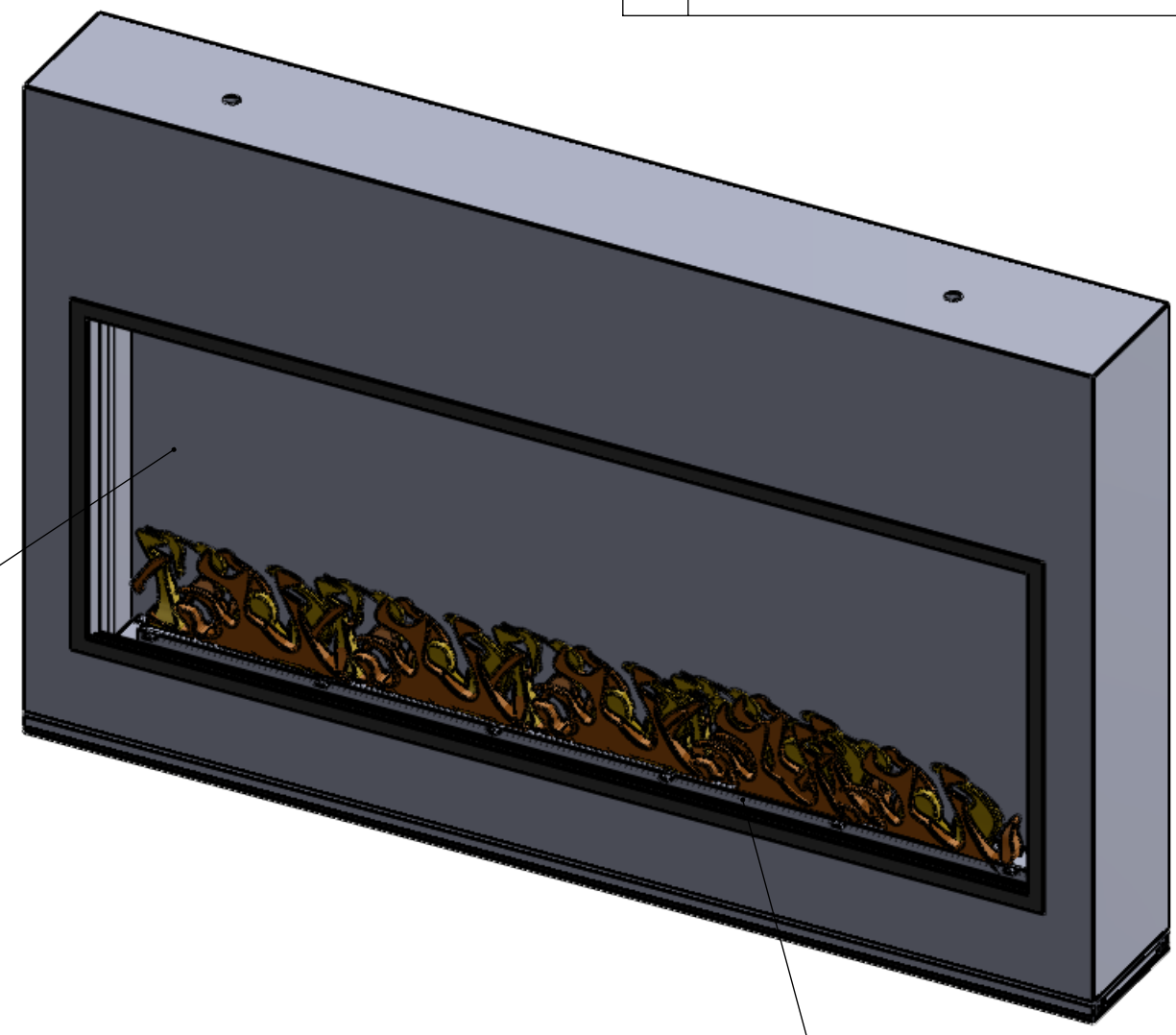
REVISIONS			
REV.	DESCRIPTION	ECO	DATE
A	INITIAL RELEASE	A.REDBERG	10/18/2017
B	REVISED PER CUSTOMER MARKUPS	A.REDBERG	11/3/2017
C	REVISED PER CUSTOMER MARKUPS	A.REDBERG	12/15/2017

D

C

B

A




FIREBOX TO BE FINISHED
MATTE BLACK

STAINLESS STEEL MEDIA TRAY
MEDIA TO BE BLACK CRUSHED GLASS

NOTES:

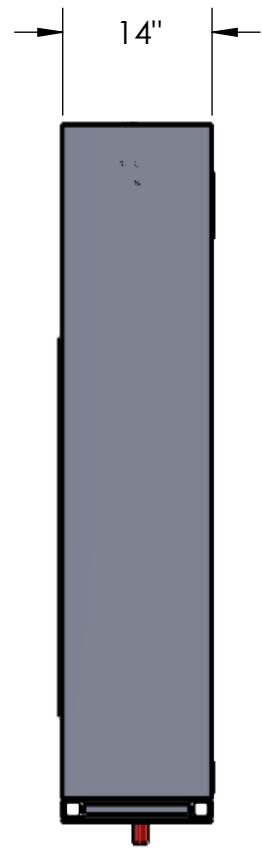
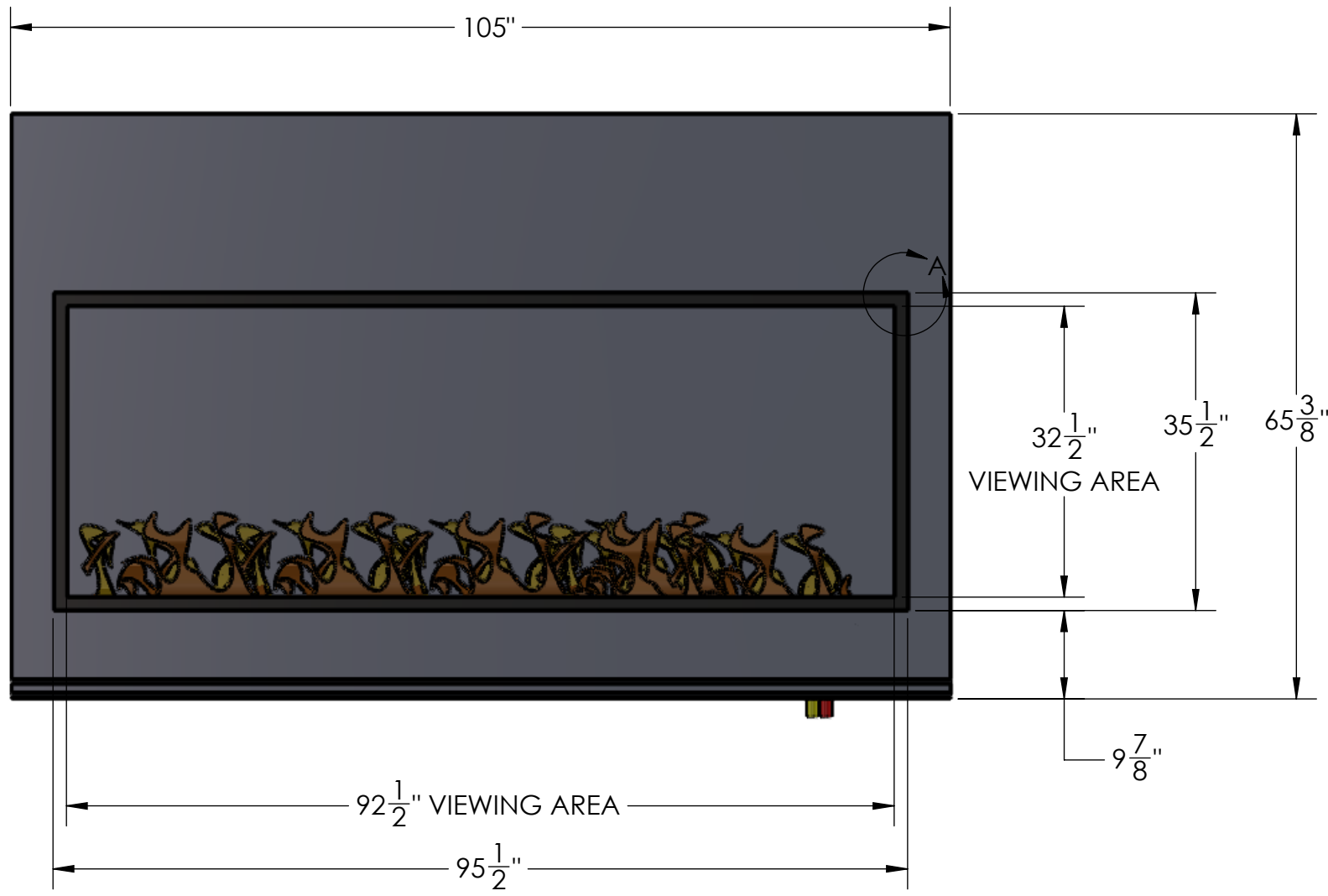
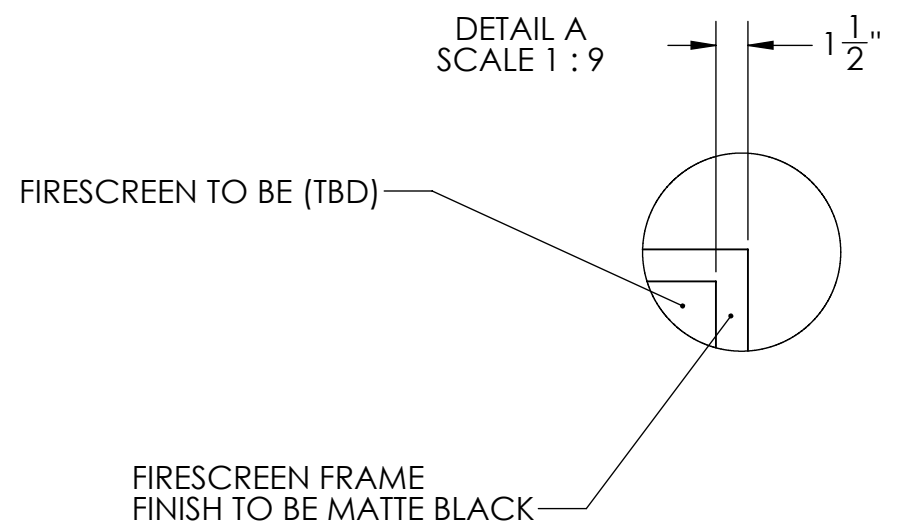
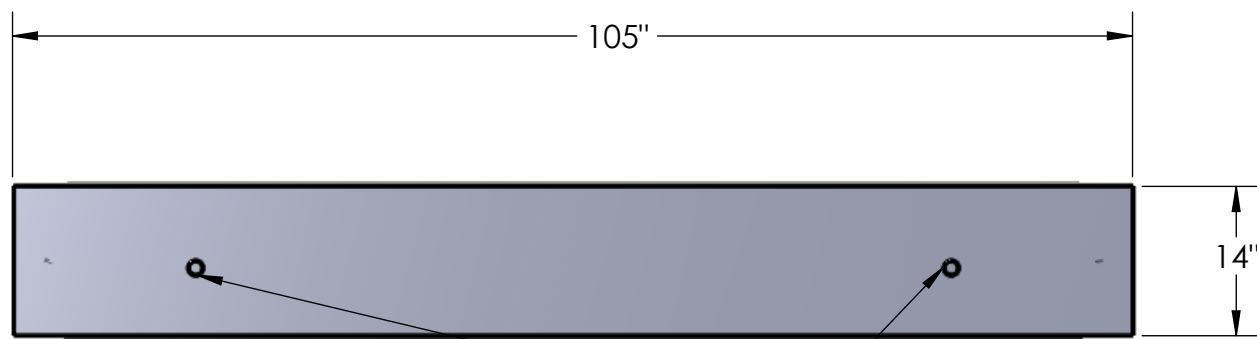
1. TRANSFORMER FOR FOR GAS CONTROL VALVE MUST BE MOUNTED IN AN OUTDOOR RATED ENCLOSURE
2. ENCLOSURE PROVIDED BY OTHER
3. FLAME TO BE 18-22" TALL
4. BTU RATING: 450,000 BTU
5. CLEARANCE TO COMBUSTIBLES 2' SIDES & BACK 4' FROM TOP

DO NOT SCALE DRAWING		<small>PROPRIETARY AND CONFIDENTIAL: THE INFORMATION CONTAINED IN THIS DRAWING IS THE SOLE PROPERTY OF ACUCRAFT. ANY REPRODUCTION IN PART OR AS A WHOLE WITHOUT THE WRITTEN PERMISSION OF ACUCRAFT IS PROHIBITED.</small>		 Acucraft Fireplace Systems 19672 172nd Street Big Lake, MN 55309	
UNLESS OTHERWISE SPECIFIED ALL DIMENSIONS ARE IN INCHES		TITLE: CUSTOM LINEAR OUTDOOR			
DRAWN BY: A.REDBERG	DATE: 10/18/2017	SIZE B	DWG. NO. 6915-A-003	REV C	SHEET 1 OF 3


8 7 6 5 4 3 2 1

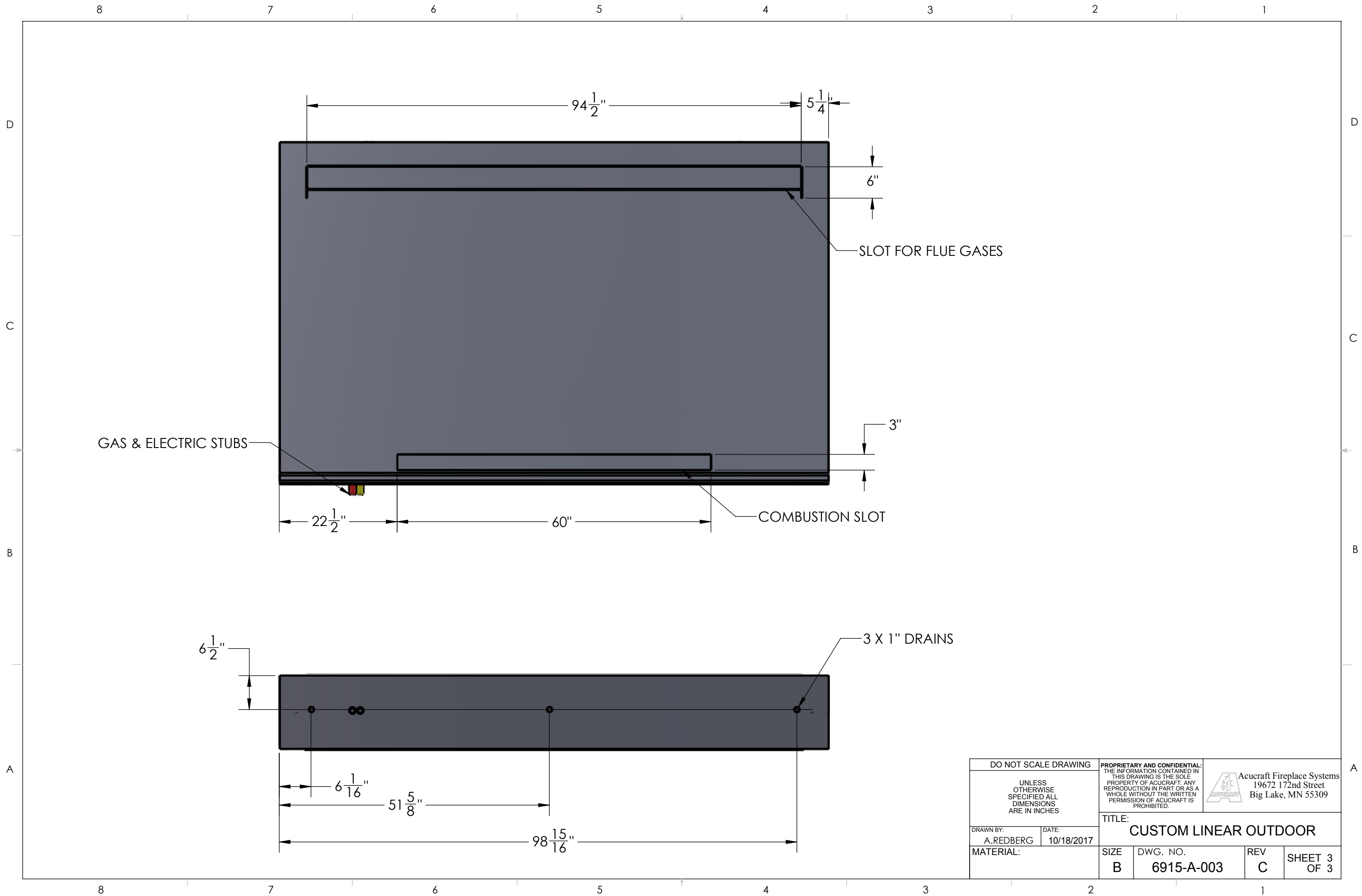
8 7 6 5 4 3 2 1

D
C
B
A



8 7 6 5 4 3 2 1

DO NOT SCALE DRAWING		PROPRIETARY AND CONFIDENTIAL: THE INFORMATION CONTAINED IN THIS DRAWING IS THE SOLE PROPERTY OF ACUCRAFT. ANY REPRODUCTION IN PART OR AS A WHOLE WITHOUT THE WRITTEN PERMISSION OF ACUCRAFT IS PROHIBITED.		 Acucraft Fireplace Systems 19672 172nd Street Big Lake, MN 55309
UNLESS OTHERWISE SPECIFIED ALL DIMENSIONS ARE IN INCHES		TITLE: CUSTOM LINEAR OUTDOOR		
DRAWN BY: A.REDBERG	DATE: 10/18/2017	SIZE B	DWG. NO. 6915-A-003	REV C
MATERIAL:				SHEET 2 OF 3



94 ¹/₂"

5 ¹/₄"

6"

SLOT FOR FLUE GASES

GAS & ELECTRIC STUBS

22 ¹/₂"

60"

COMBUSTION SLOT

3"


6 ¹/₂"

3 X 1" DRAINS

6 ¹/₁₆"

51 ⁵/₈"

98 ¹⁵/₁₆"

DO NOT SCALE DRAWING		PROPRIETARY AND CONFIDENTIAL: THE INFORMATION CONTAINED IN THIS DRAWING IS THE SOLE PROPERTY OF ACUCRAFT. ANY REPRODUCTION IN PART OR AS A WHOLE WITHOUT THE WRITTEN PERMISSION OF ACUCRAFT IS PROHIBITED.		 Acucraft Fireplace Systems 19672 172nd Street Big Lake, MN 55309
UNLESS OTHERWISE SPECIFIED ALL DIMENSIONS ARE IN INCHES		TITLE: CUSTOM LINEAR OUTDOOR		
DRAWN BY: A. REDBERG	DATE: 10/18/2017	SIZE B	DWG. NO. 6915-A-003	REV C
MATERIAL:				SHEET 3 OF 3