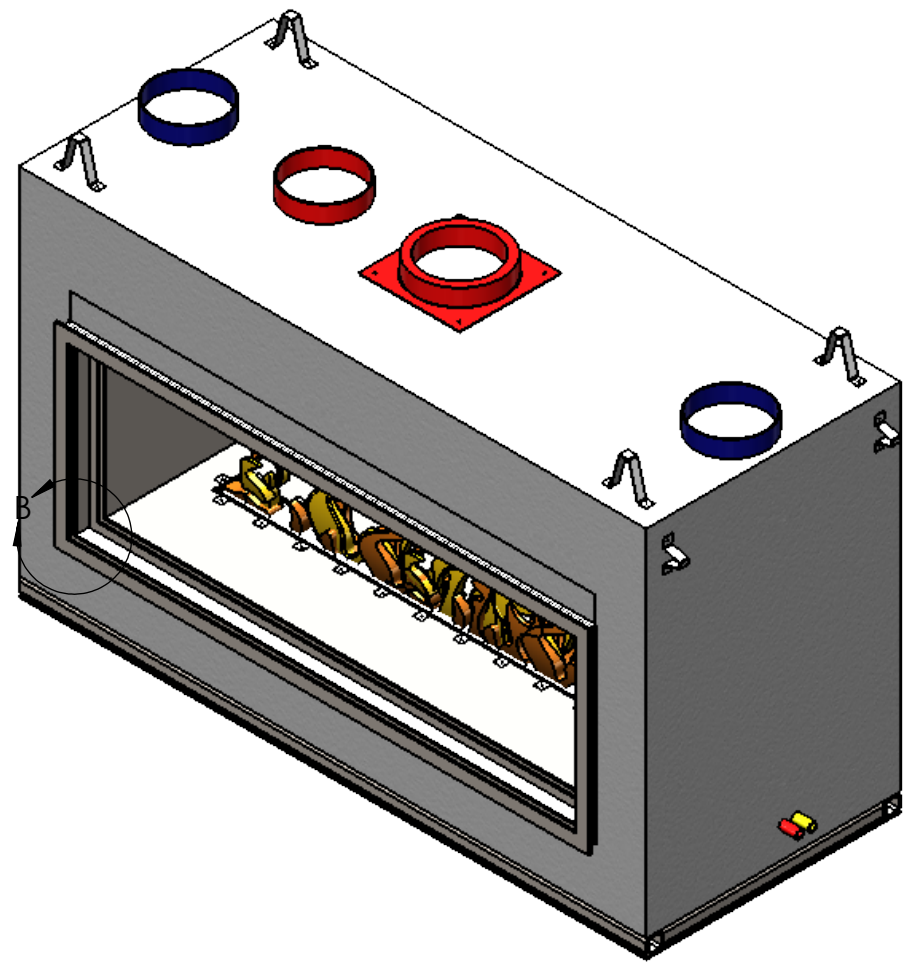
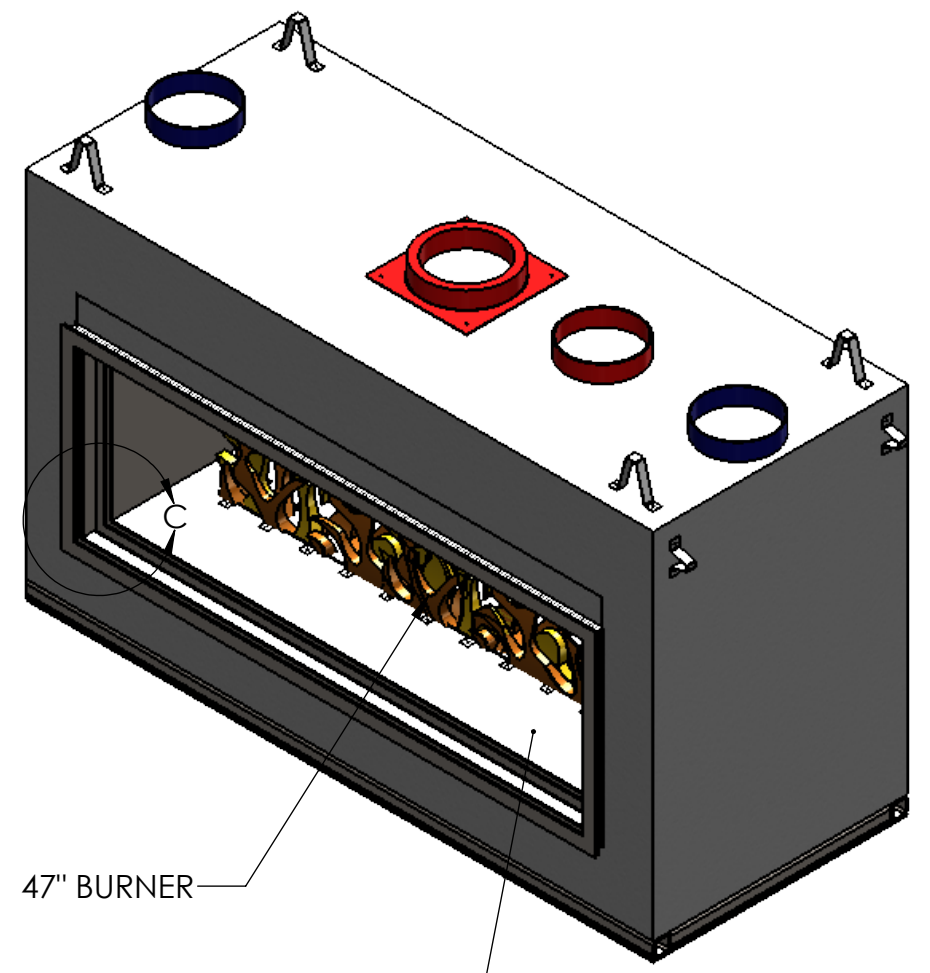
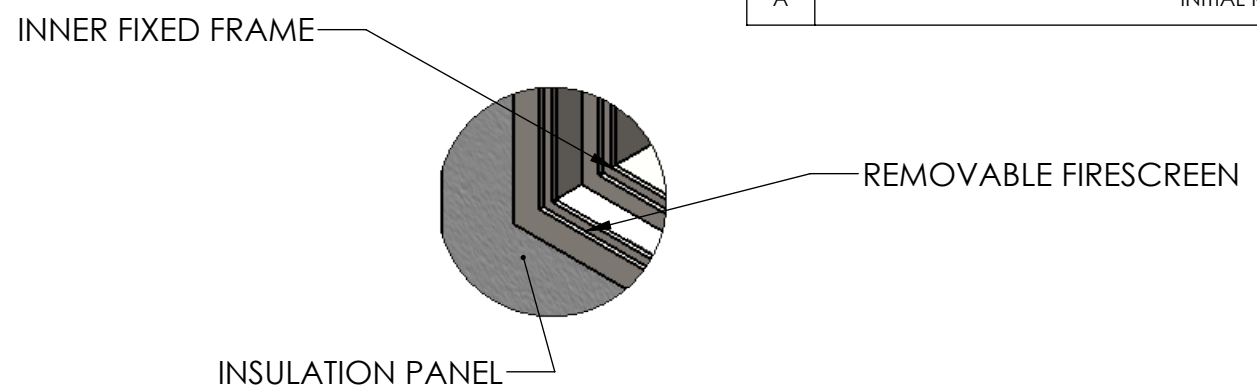
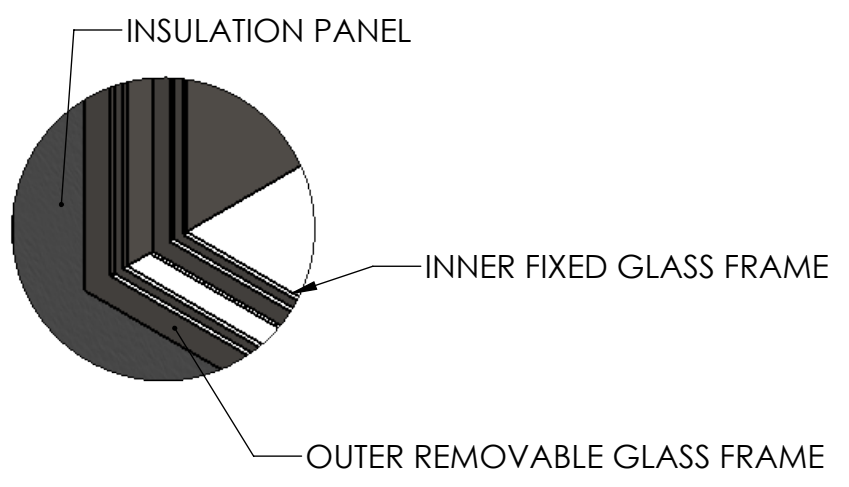



8 7 6 5 4 3 2 1

REVISIONS			
REV.	DESCRIPTION	ECO	DATE
A	INITIAL RELEASE	RS	10/20/2017

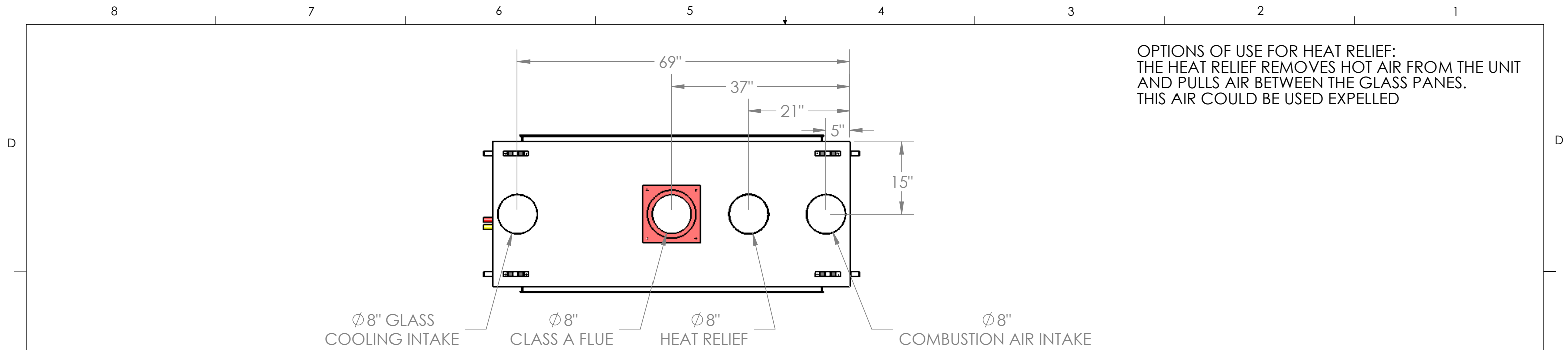


OUTDOOR SIDE

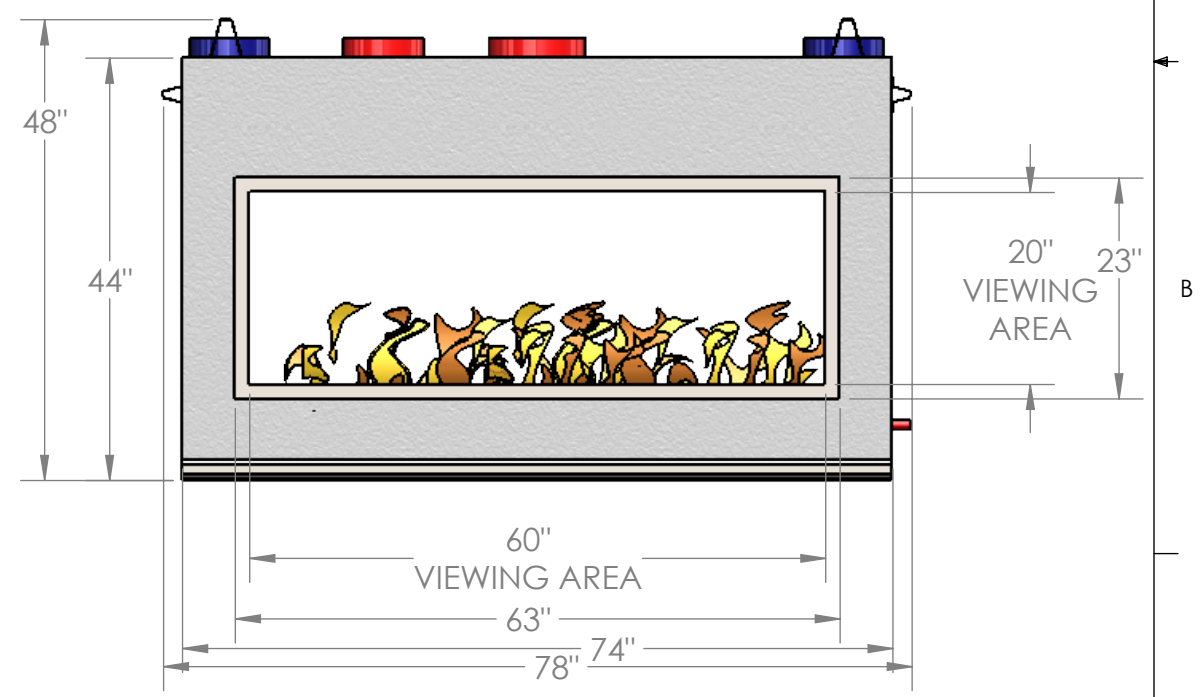
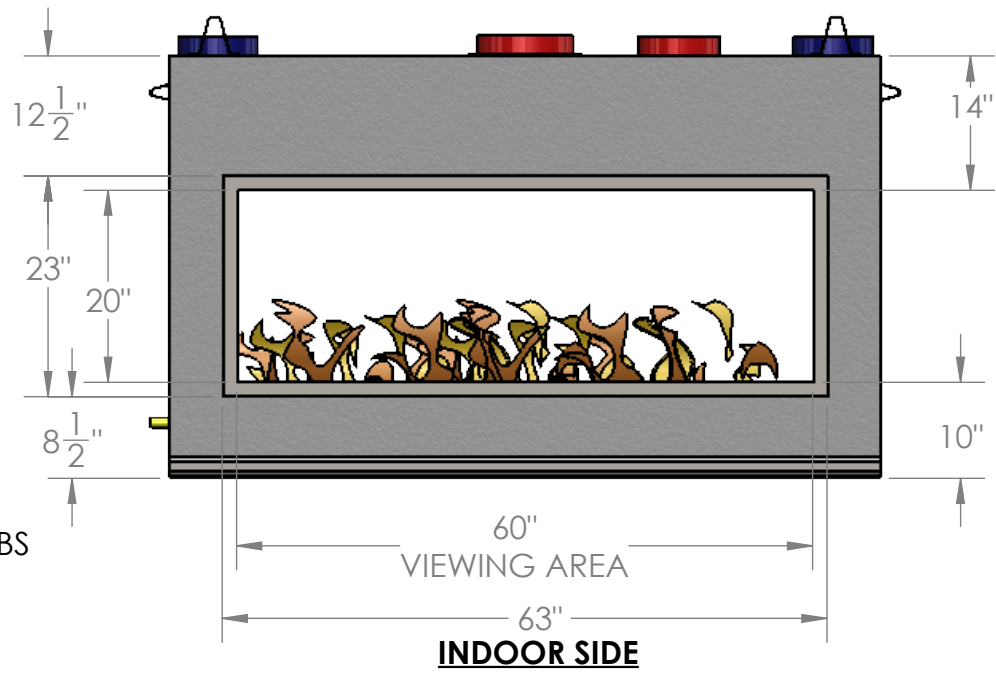
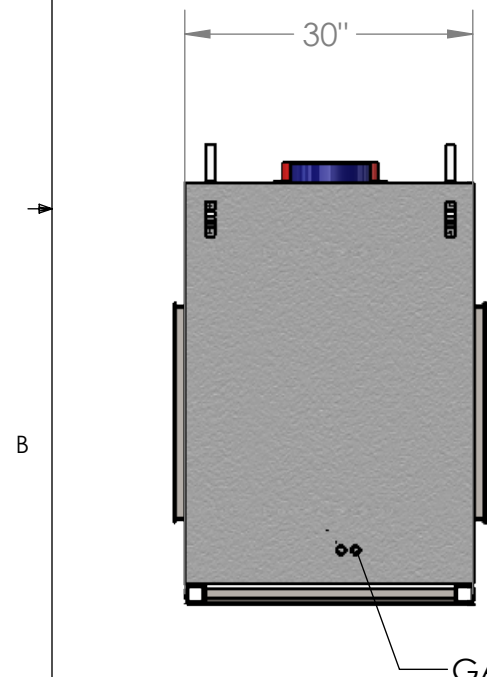
INDOOR SIDE

DO NOT SCALE DRAWING		PROPRIETARY AND CONFIDENTIAL: THE INFORMATION CONTAINED IN THIS DRAWING IS THE SOLE PROPERTY OF ACUCRAFT. ANY REPRODUCTION IN PART OR AS A WHOLE WITHOUT THE WRITTEN PERMISSION OF ACUCRAFT IS PROHIBITED.		 Acucraft Fireplace Systems 19672 172nd Street Big Lake, MN 55309
UNLESS OTHERWISE SPECIFIED ALL DIMENSIONS ARE IN INCHES		TITLE: CUSTOM LINEAR GAS I/O HARRINGTON STANKO CONST. 6937		
DRAWN BY: R.SHEPHERD	DATE: 10/20/2017	SIZE B	DWG. NO. 6937-A-004-ST	REV A
MATERIAL:		SHEET 1 OF 2		


8 7 6 5 4 3 2 1



OPTIONS OF USE FOR HEAT RELIEF:
 THE HEAT RELIEF REMOVES HOT AIR FROM THE UNIT
 AND PULLS AIR BETWEEN THE GLASS PANES.
 THIS AIR COULD BE USED EXPELLED



OUTDOOR SIDE

DO NOT SCALE DRAWING		PROPRIETARY AND CONFIDENTIAL: THE INFORMATION CONTAINED IN THIS DRAWING IS THE SOLE PROPERTY OF ACUCRAFT. ANY REPRODUCTION IN PART OR AS A WHOLE WITHOUT THE WRITTEN PERMISSION OF ACUCRAFT IS PROHIBITED.		 Acucraft Fireplace Systems 19672 172nd Street Big Lake, MN 55309
UNLESS OTHERWISE SPECIFIED ALL DIMENSIONS ARE IN INCHES		TITLE: CUSTOM LINEAR GAS I/O HARRINGTON STANKO CONST. 6937		
DRAWN BY: R.SHEPHERD	DATE: 10/20/2017	SIZE B	DWG. NO. 6937-A-004-ST	REV A
MATERIAL:				SHEET 2 OF 2