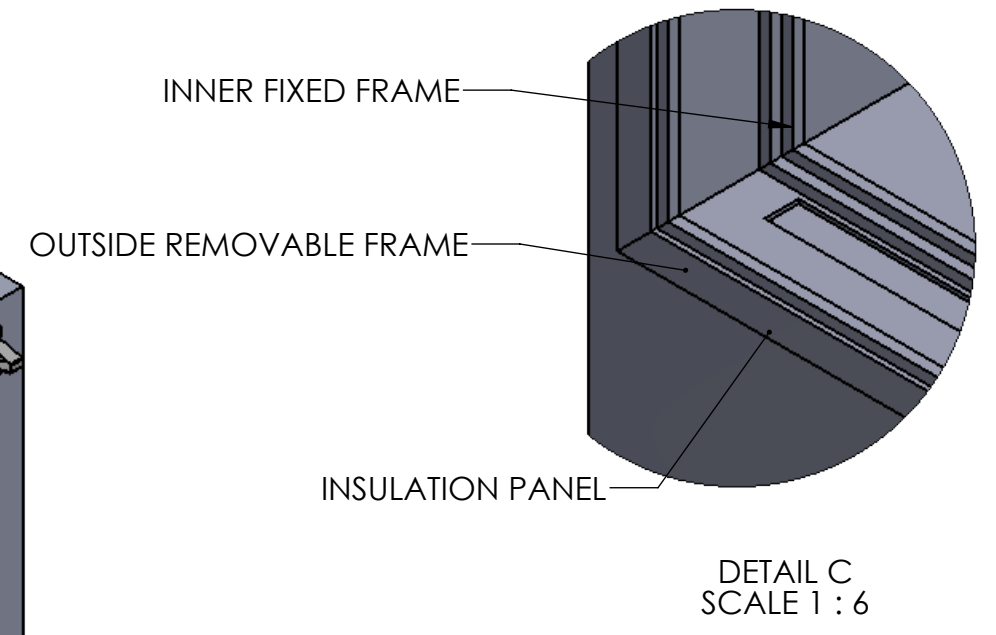
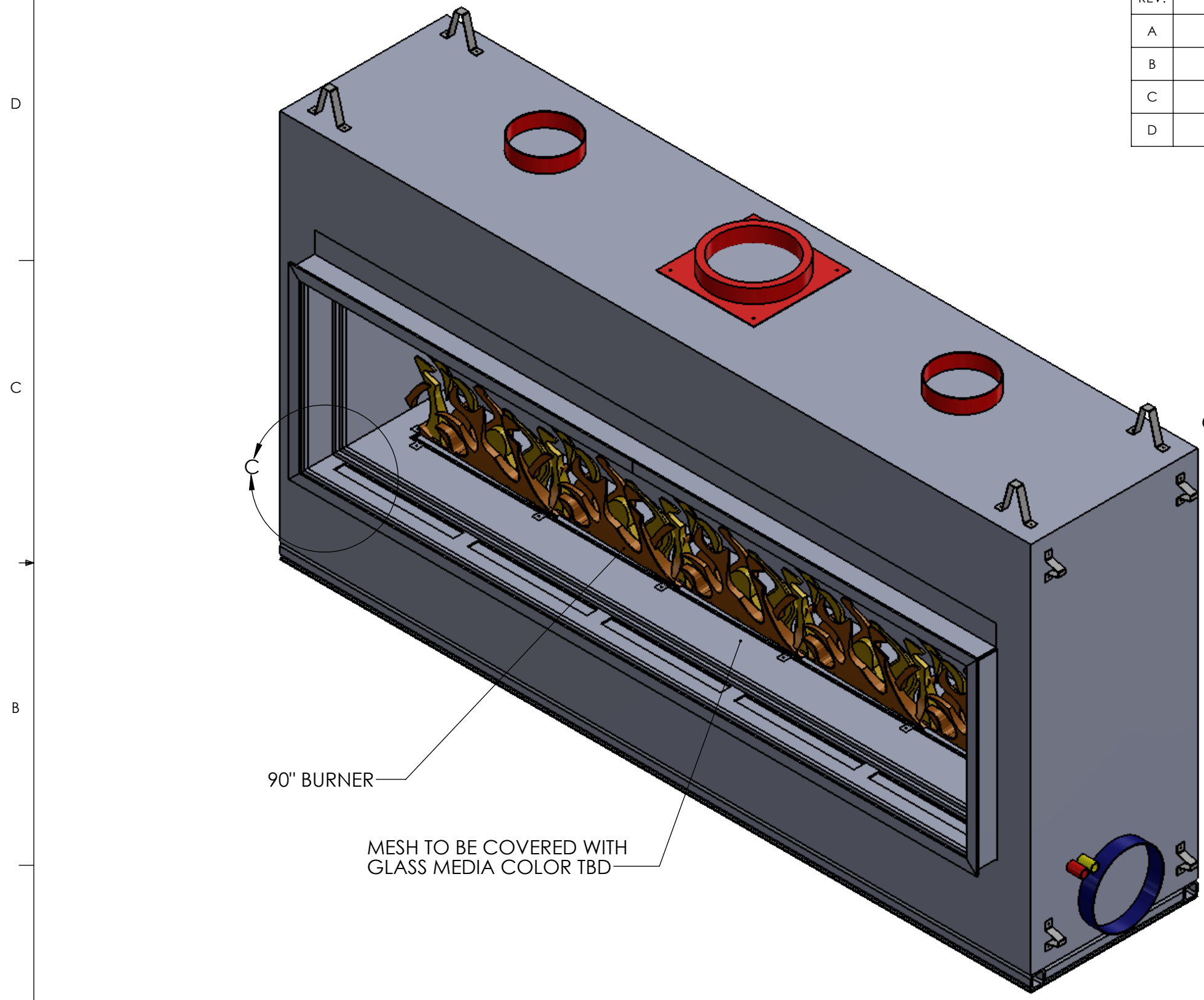


8 7 6 5 4 3 2 1

REVISIONS			
REV.	DESCRIPTION	ECO	DATE
A	INITIAL RELEASE	RS	10/20/2017
B	REVISED PER CUSTOMER MARKUPS	RS	11/7/2017
C	REVEAL CHANGED BACK TO 1"	RS	11/10/2017
D	REVEAL CHANGED TO 3"	RS	11/14/2017




90" BURNER

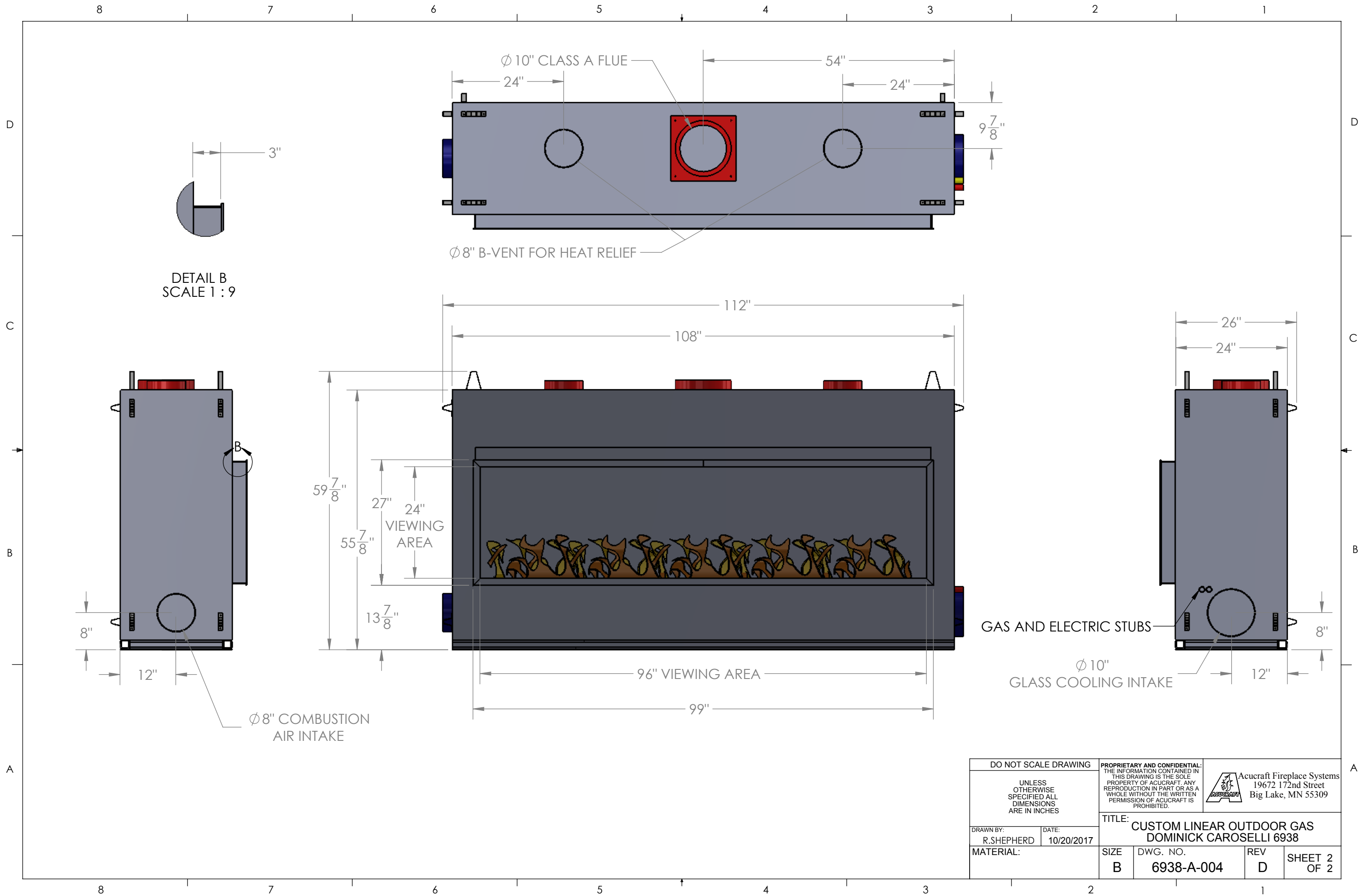
MESH TO BE COVERED WITH GLASS MEDIA COLOR TBD

D  
C  
B  
A

D  
C  
B  
A

8 7 6 5 4 3 2 1

DO NOT SCALE DRAWING		<small>PROPRIETARY AND CONFIDENTIAL: THE INFORMATION CONTAINED IN THIS DRAWING IS THE SOLE PROPERTY OF ACUCRAFT. ANY REPRODUCTION IN PART OR AS A WHOLE WITHOUT THE WRITTEN PERMISSION OF ACUCRAFT IS PROHIBITED.</small>		 Acucraft Fireplace Systems 19672 172nd Street Big Lake, MN 55309
UNLESS OTHERWISE SPECIFIED ALL DIMENSIONS ARE IN INCHES		TITLE: <b>CUSTOM LINEAR OUTDOOR GAS DOMINICK CAROSELLI 6938</b>		
DRAWN BY: R.SHEPHERD	DATE: 10/20/2017	SIZE B	DWG. NO. 6938-A-004	REV D
MATERIAL:				SHEET 1 OF 2




DETAIL B  
SCALE 1 : 9

GAS AND ELECTRIC STUBS

$\varnothing 10"$   
GLASS COOLING INTAKE

$\varnothing 8"$  COMBUSTION  
AIR INTAKE

DO NOT SCALE DRAWING		PROPRIETARY AND CONFIDENTIAL: THE INFORMATION CONTAINED IN THIS DRAWING IS THE SOLE PROPERTY OF ACUCRAFT. ANY REPRODUCTION IN PART OR AS A WHOLE WITHOUT THE WRITTEN PERMISSION OF ACUCRAFT IS PROHIBITED.		 Acucraft Fireplace Systems 19672 172nd Street Big Lake, MN 55309
UNLESS OTHERWISE SPECIFIED ALL DIMENSIONS ARE IN INCHES		TITLE: <b>CUSTOM LINEAR OUTDOOR GAS DOMINICK CAROSELLI 6938</b>		
DRAWN BY: R.SHEPHERD	DATE: 10/20/2017	SIZE <b>B</b>	DWG. NO. <b>6938-A-004</b>	REV <b>D</b>
MATERIAL:				SHEET 2 OF 2