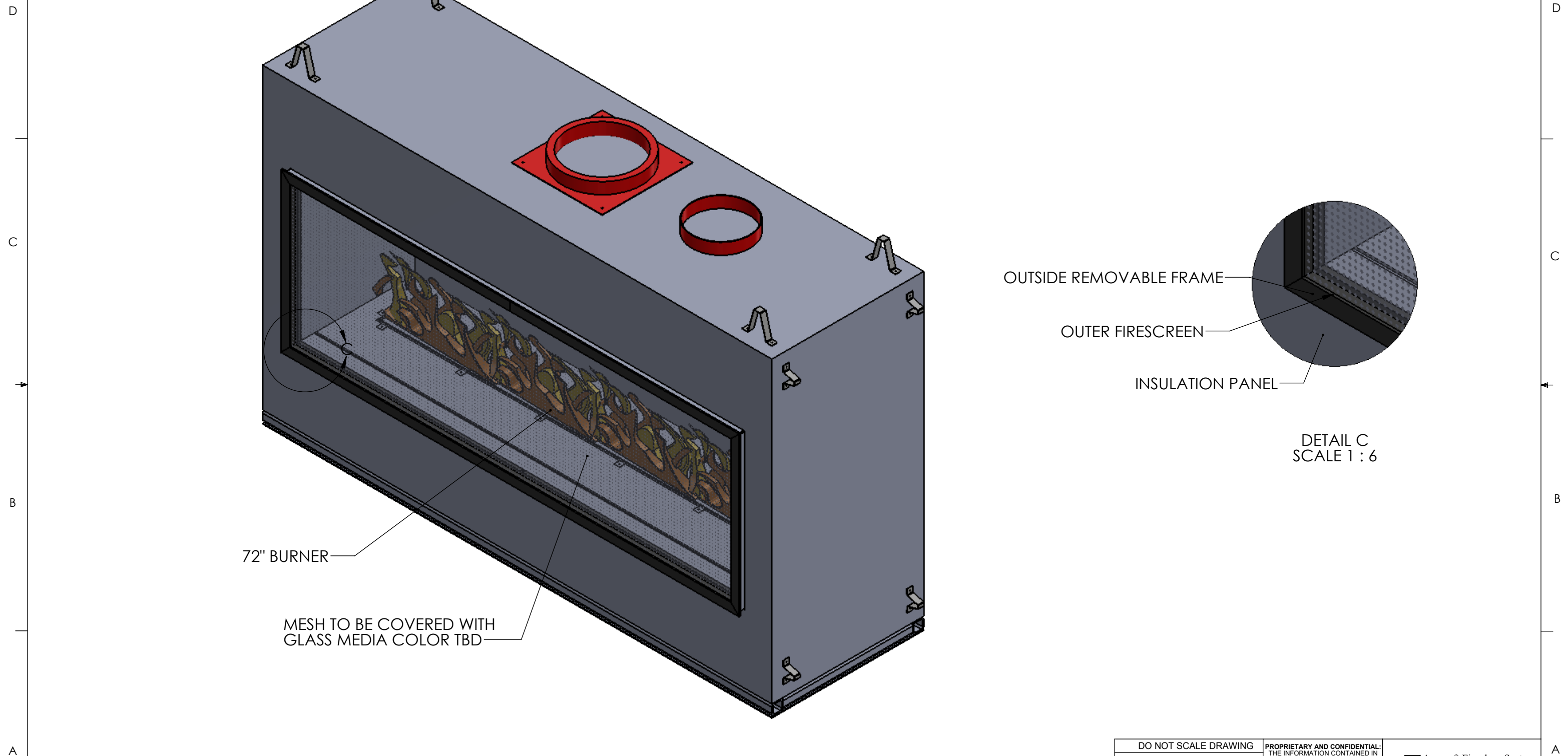



8 7 6 5 4 3 2 1

REVISIONS			
REV.	DESCRIPTION	ECO	DATE
A	INITIAL RELEASE	AR	10/26/2017
B	REVISED PER CUSTOMER MARKUPS	AR	11/10/2017



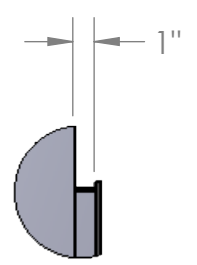
DO NOT SCALE DRAWING		<small>PROPRIETARY AND CONFIDENTIAL: THE INFORMATION CONTAINED IN THIS DRAWING IS THE SOLE PROPERTY OF ACUCRAFT. ANY REPRODUCTION IN PART OR AS A WHOLE WITHOUT THE WRITTEN PERMISSION OF ACUCRAFT IS PROHIBITED.</small>		 Acucraft Fireplace Systems 19672 172nd Street Big Lake, MN 55309	
UNLESS OTHERWISE SPECIFIED ALL DIMENSIONS ARE IN INCHES		TITLE: CUSTOM LINEAR OUTDOOR GAS MG PARTNERS 6971			
<small>DRAWN BY:</small> A.REDBERG	<small>DATE:</small> 10/26/2017	<small>SIZE</small> B	<small>DWG. NO.</small> 6971-A-002	<small>REV</small> A	<small>SHEET</small> 1 OF 3

8 7 6 5 4 3 2 1

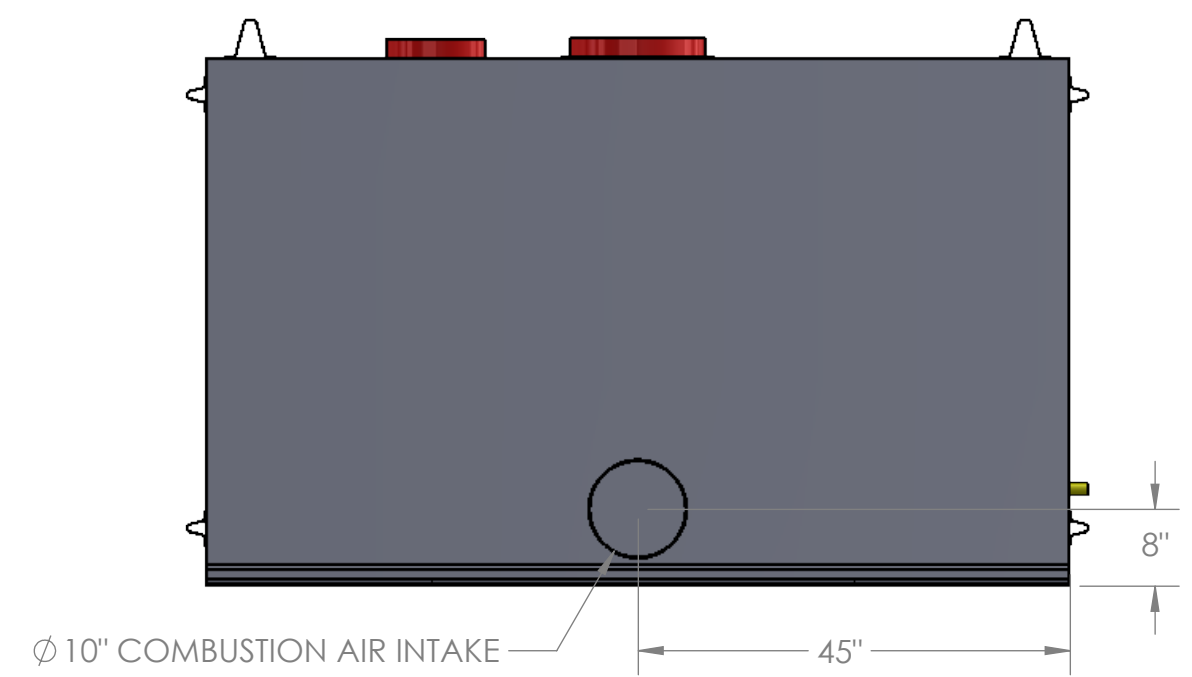
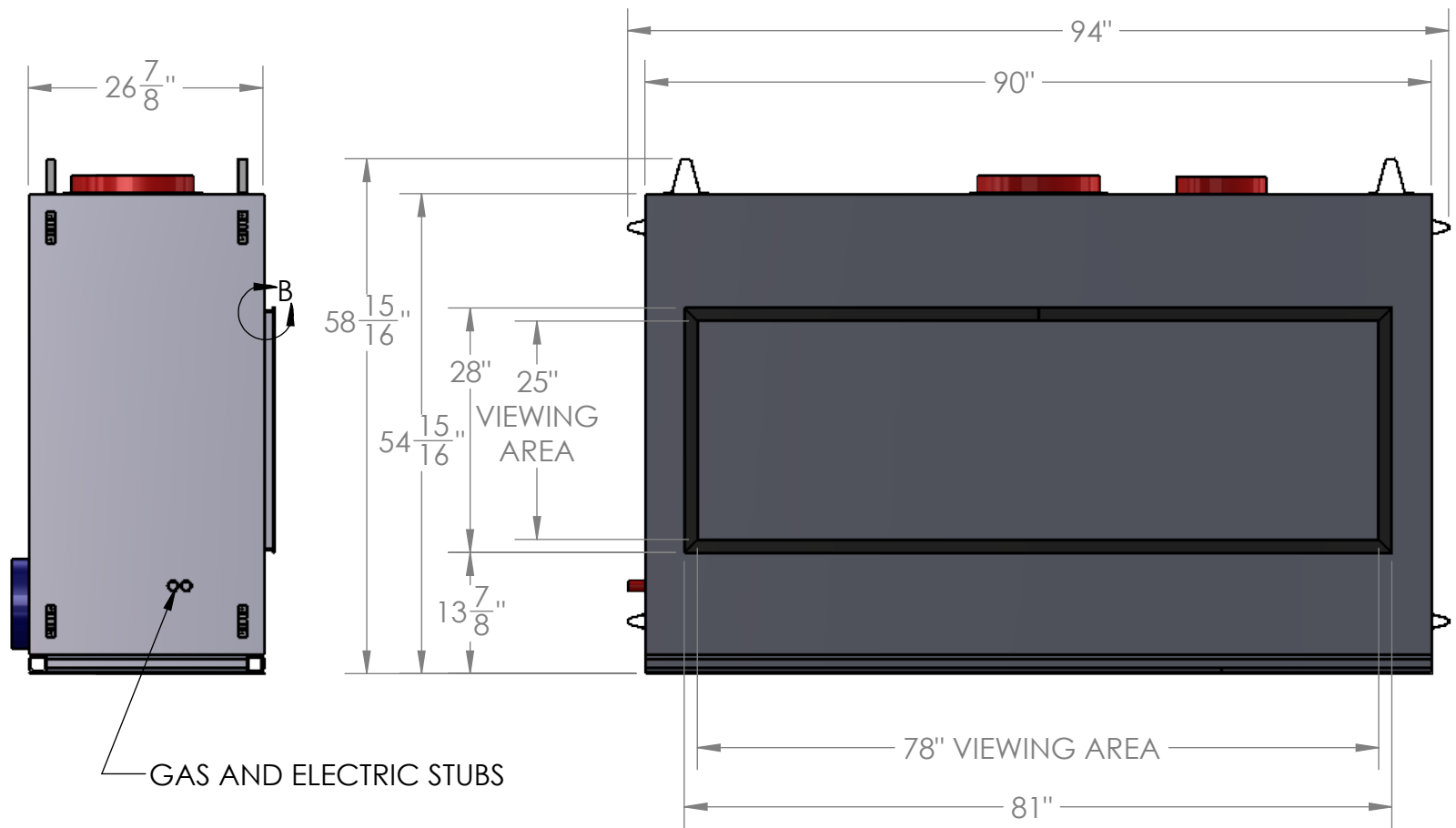
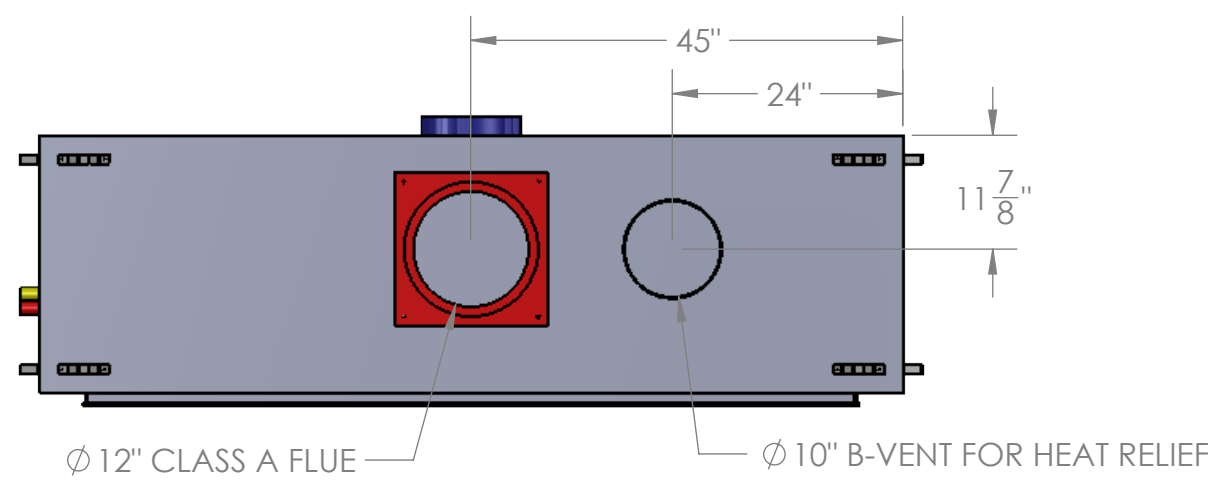
8 7 6 5 4 3 2 1


D
C
B
A

D
C
B
A

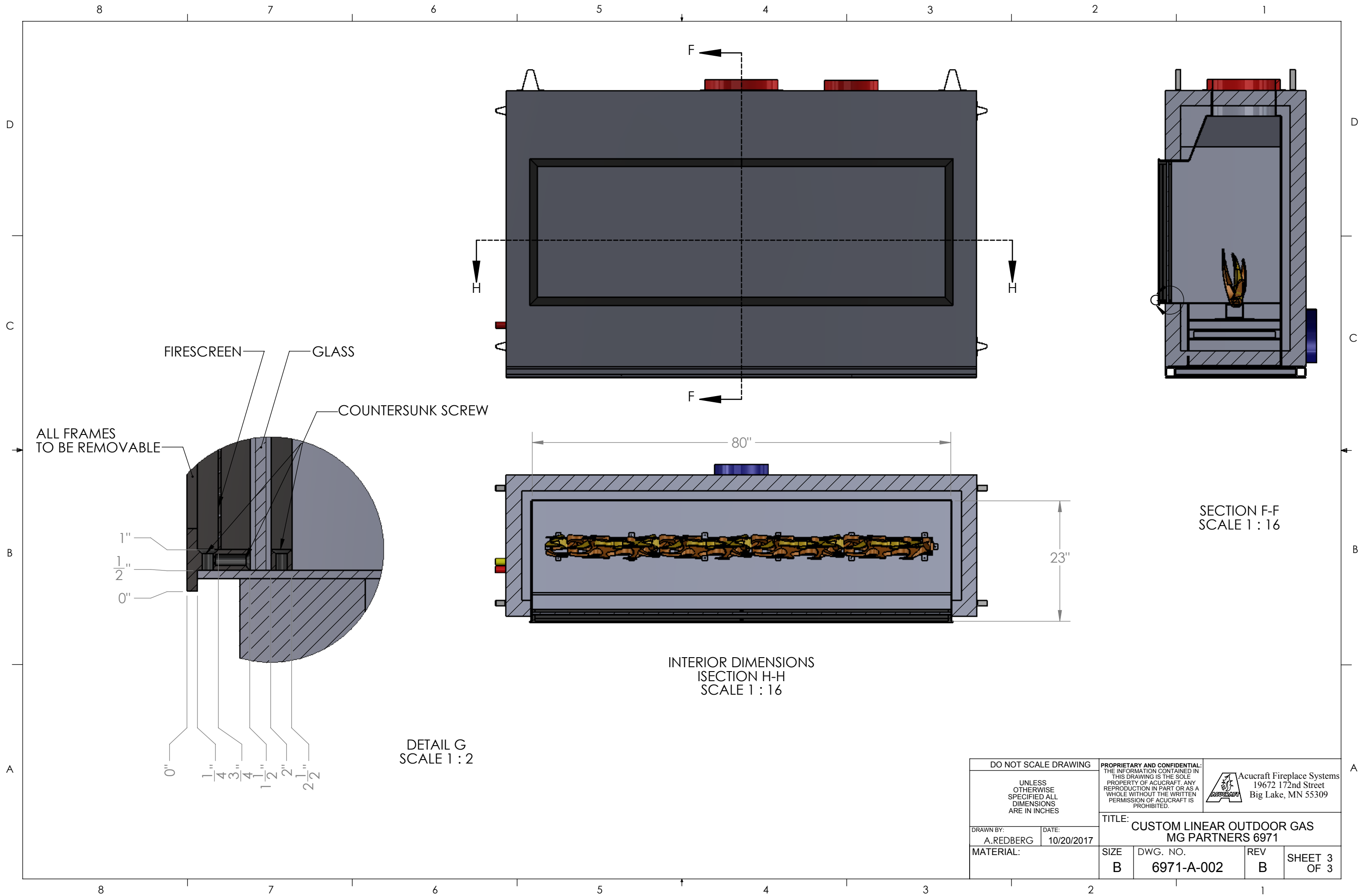


DETAIL B
SCALE 1 : 9



DO NOT SCALE DRAWING		PROPRIETARY AND CONFIDENTIAL: THE INFORMATION CONTAINED IN THIS DRAWING IS THE SOLE PROPERTY OF ACUCRAFT. ANY REPRODUCTION IN PART OR AS A WHOLE WITHOUT THE WRITTEN PERMISSION OF ACUCRAFT IS PROHIBITED.		 Acucraft Fireplace Systems 19672 172nd Street Big Lake, MN 55309
UNLESS OTHERWISE SPECIFIED ALL DIMENSIONS ARE IN INCHES		TITLE: CUSTOM LINEAR OUTDOOR GAS MG PARTNERS 6971		
DRAWN BY: A.REDBERG	DATE: 10/26/2017	SIZE B	DWG. NO. 6971-A-002	REV B
MATERIAL:				SHEET 2 OF 3

8 7 6 5 4 3 2 1

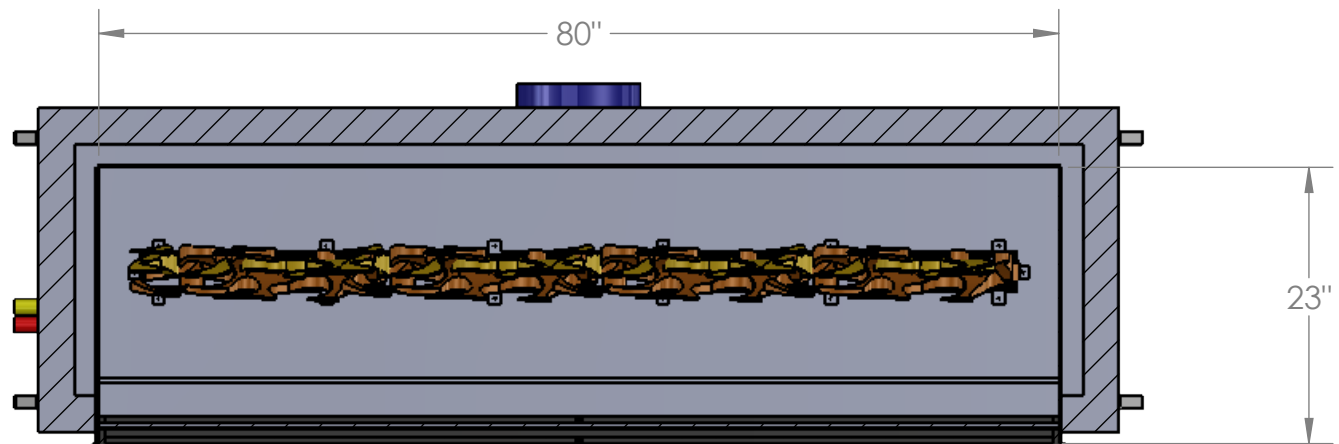
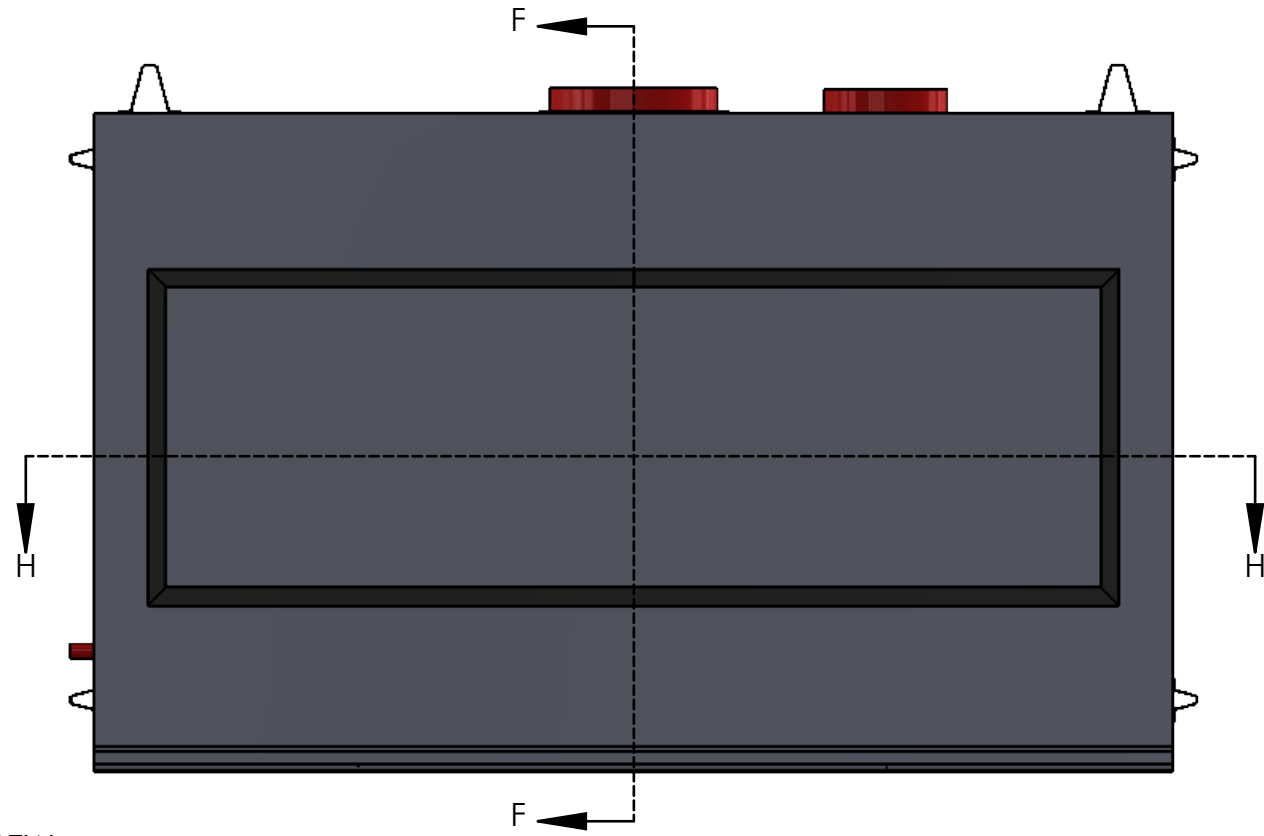


FIRESCREEN
GLASS
COUNTERSUNK SCREW

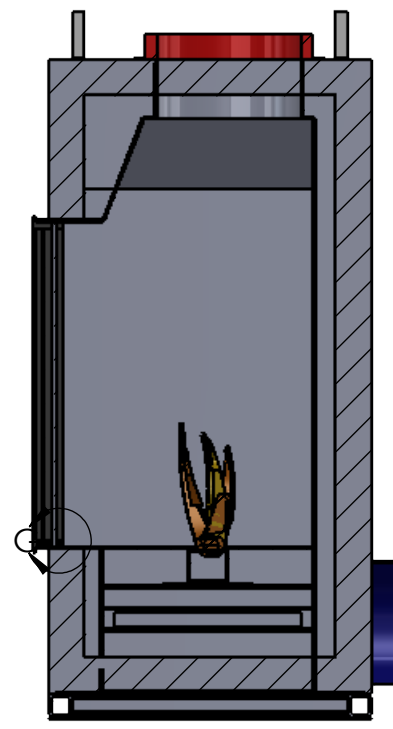
ALL FRAMES
TO BE REMOVABLE

1"
1/2"
0"
0"
1/4"
3/4"
1/2"
2"
1 1/2"
2 1/2"


DETAIL G
SCALE 1 : 2



INTERIOR DIMENSIONS
SECTION H-H
SCALE 1 : 16



SECTION F-F
SCALE 1 : 16

DO NOT SCALE DRAWING		PROPRIETARY AND CONFIDENTIAL: THE INFORMATION CONTAINED IN THIS DRAWING IS THE SOLE PROPERTY OF ACUCRAFT. ANY REPRODUCTION IN PART OR AS A WHOLE WITHOUT THE WRITTEN PERMISSION OF ACUCRAFT IS PROHIBITED.		 Acucraft Fireplace Systems 19672 172nd Street Big Lake, MN 55309
UNLESS OTHERWISE SPECIFIED ALL DIMENSIONS ARE IN INCHES		TITLE: CUSTOM LINEAR OUTDOOR GAS MG PARTNERS 6971		
DRAWN BY: A.REDBERG	DATE: 10/20/2017	SIZE B	DWG. NO. 6971-A-002	REV B
MATERIAL:				SHEET 3 OF 3