

REVISIONS			
REV.	DESCRIPTION	ECO	DATE
A	INITIAL RELEASE	AR	12/18/2017
B	REVISED INTAKES	AR	12/22/2017
C	VIEWING AREA HEIGHT ADJUSTED PER REQUEST	RS	1/26/2018
D	PLATES ADDED TO ALLOW UNIT TO BE BOLTED TO CURB	RS	3/21/2018
E	MOVED INTAKES	RS	5/1/2018


124" BURNER

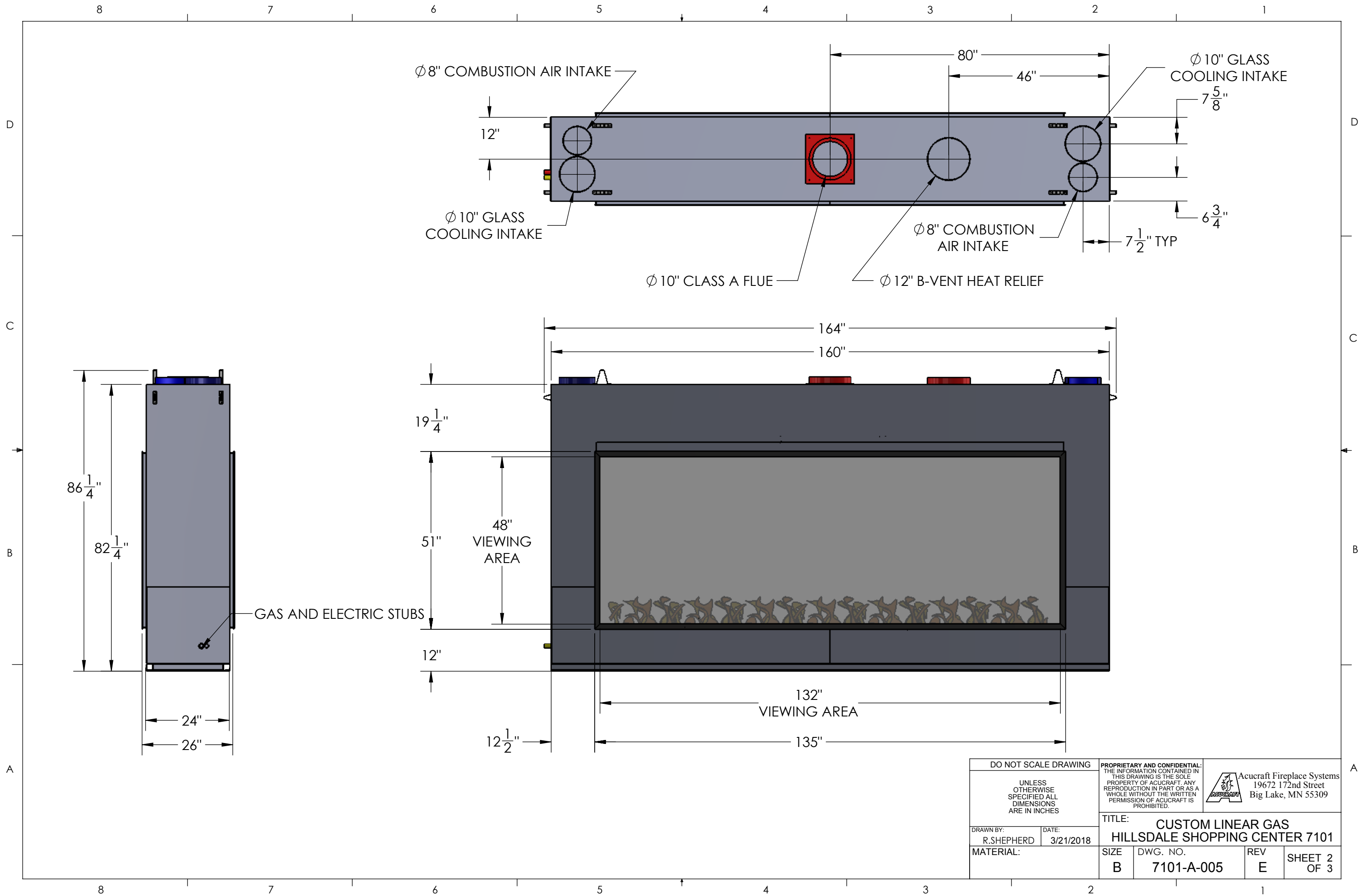
MESH TO BE COVERED WITH GLASS MEDIA COLOR TBD


PLATES ADDED TO ALLOW BOLTING DOWN OF UNIT

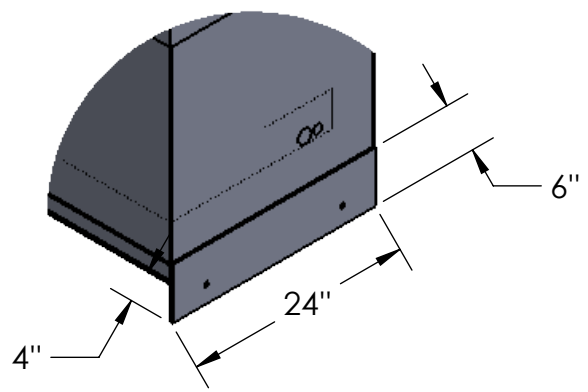
NOTES:

1. ALL OVERALL DIMENSIONS +/- 1/4"
2. CLEARANCE TO COMBUSTIBLES TO BE 4" ON TOP AND 2" ON BACK AND SIDES
3. FRAME AND FIREBOX TO BE FINISHED MATTE BLACK
4. APPROXIMATE BTUS: 150,000
5. GAS TYPE: NATURAL GAS

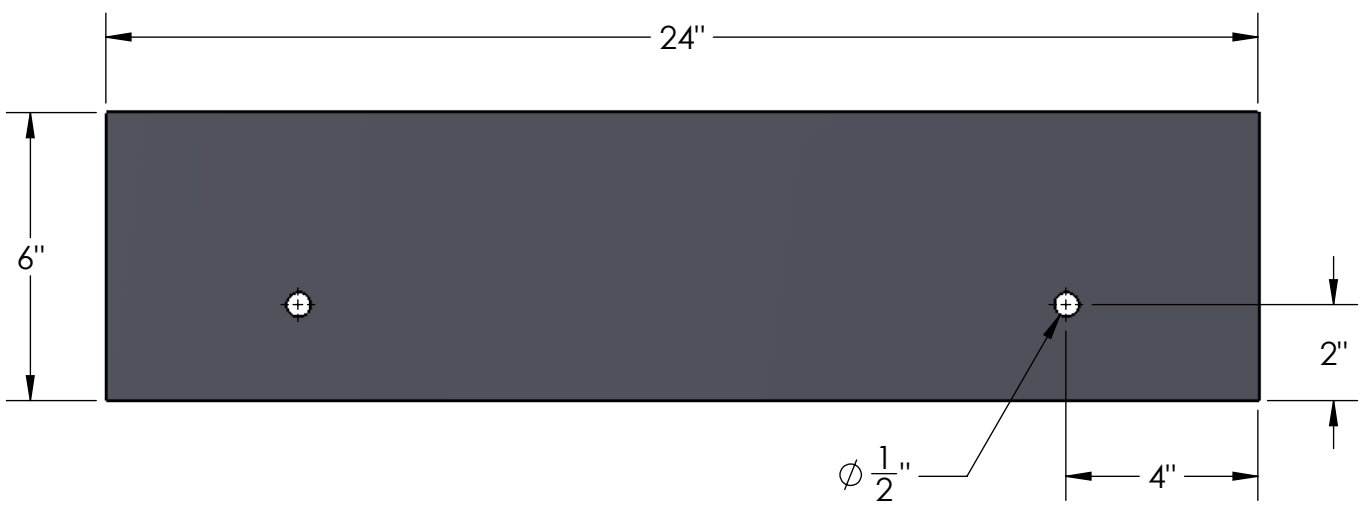
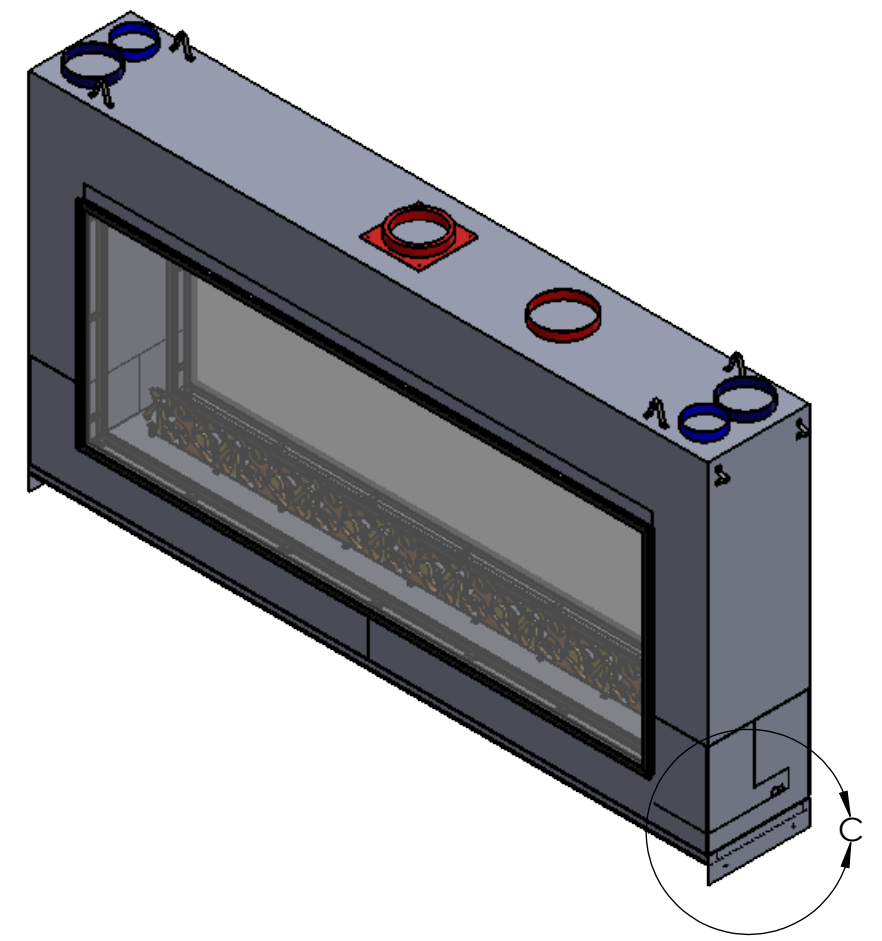
DO NOT SCALE DRAWING		<small>PROPRIETARY AND CONFIDENTIAL: THE INFORMATION CONTAINED IN THIS DRAWING IS THE SOLE PROPERTY OF ACUCRAFT. ANY REPRODUCTION IN PART OR AS A WHOLE WITHOUT THE WRITTEN PERMISSION OF ACUCRAFT IS PROHIBITED.</small>		 Acucraft Fireplace Systems 19672 172nd Street Big Lake, MN 55309
UNLESS OTHERWISE SPECIFIED ALL DIMENSIONS ARE IN INCHES		TITLE: CUSTOM LINEAR GAS HILLSDALE SHOPPING CENTER 7101		
<small>DRAWN BY:</small> R.SHEPHERD	<small>DATE:</small> 3/21/2018	<small>SIZE</small> B	<small>DWG. NO.</small> 7101-A-005	<small>REV</small> E
<small>MATERIAL:</small>		<small>SHEET</small> 1		<small>OF</small> 3




DO NOT SCALE DRAWING		PROPRIETARY AND CONFIDENTIAL: THE INFORMATION CONTAINED IN THIS DRAWING IS THE SOLE PROPERTY OF ACUCRAFT. ANY REPRODUCTION IN PART OR AS A WHOLE WITHOUT THE WRITTEN PERMISSION OF ACUCRAFT IS PROHIBITED.		 Acucraft Fireplace Systems 19672 172nd Street Big Lake, MN 55309
UNLESS OTHERWISE SPECIFIED ALL DIMENSIONS ARE IN INCHES		TITLE: CUSTOM LINEAR GAS HILLSDALE SHOPPING CENTER 7101		
DRAWN BY: R.SHEPHERD	DATE: 3/21/2018	SIZE B	DWG. NO. 7101-A-005	REV E
MATERIAL:		SHEET 2 OF 3		



DETAIL C
SCALE 1 : 16



1/4" PLATE TO BOLT UNIT TO CONCRETE CURB

DO NOT SCALE DRAWING		PROPRIETARY AND CONFIDENTIAL: THE INFORMATION CONTAINED IN THIS DRAWING IS THE SOLE PROPERTY OF ACUCRAFT. ANY REPRODUCTION IN PART OR AS A WHOLE WITHOUT THE WRITTEN PERMISSION OF ACUCRAFT IS PROHIBITED.		 Acucraft Fireplace Systems 19672 172nd Street Big Lake, MN 55309	
UNLESS OTHERWISE SPECIFIED ALL DIMENSIONS ARE IN INCHES		TITLE: ANCHORING PLATE			
DRAWN BY: R.SHEPHERD	DATE: 3/21/2018	SIZE B		DWG. NO. 7101-A-005	REV E
MATERIAL: 1/4" STEEL PLATE		SHEET 3 OF 3			