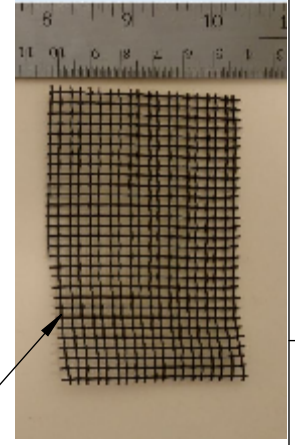
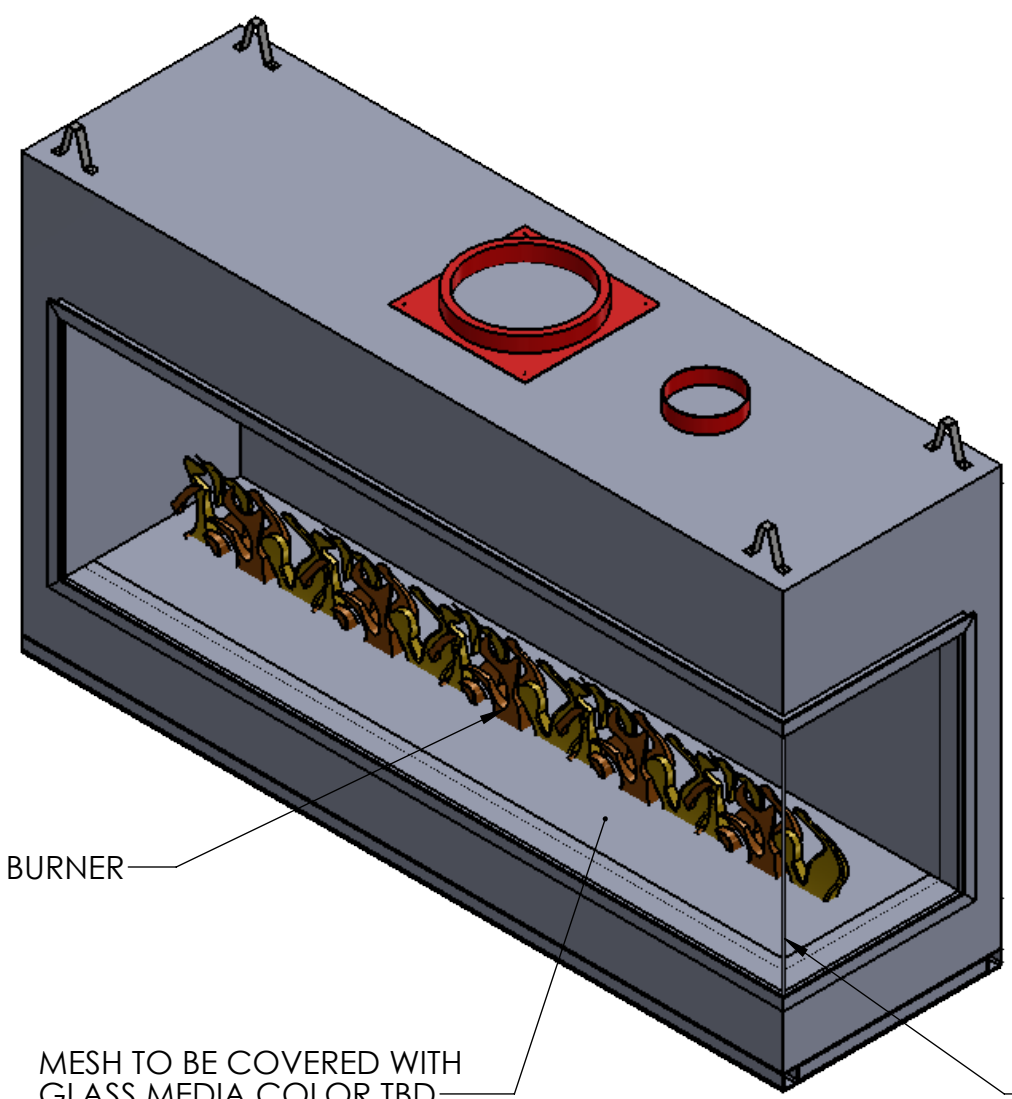


REVISIONS			
REV.	DESCRIPTION	ECO	DATE
A	INITIAL RELEASE	AR	1/29/2018

D
C
B
A

D
C
B
A



FIRESCREEN MATERIAL


84" BURNER

MESH TO BE COVERED WITH GLASS MEDIA COLOR TBD

1/4" FIRESCREEN SUPPORT

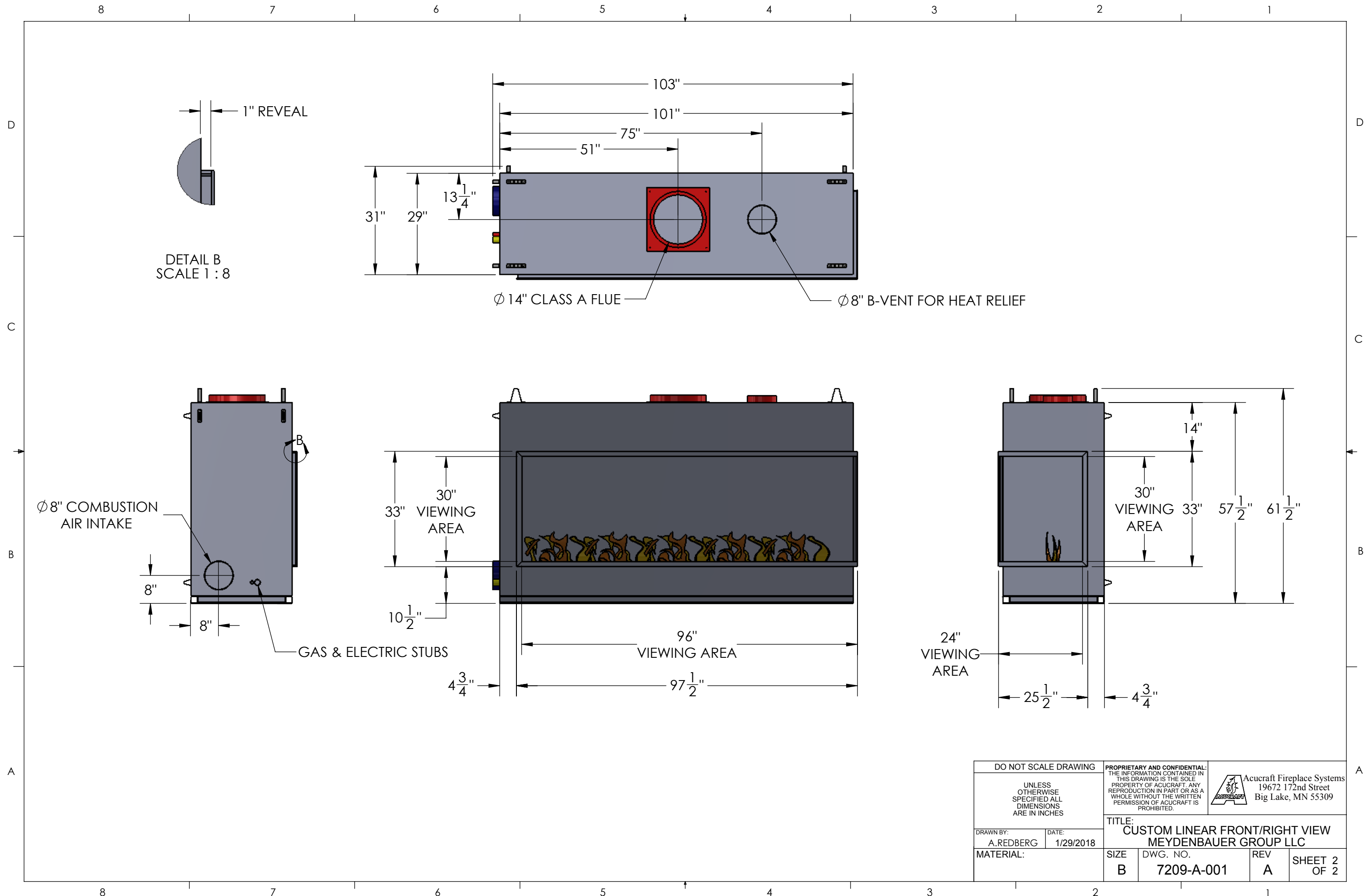
NOTES:


1. ALL OVERALL DIMENSIONS +/- 1/4"
2. CLEARANCE TO COMBUSTIBLES TO BE 4" ON TOP AND 2" ON BACK AND SIDES
3. FRAME AND FIREBOX TO BE FINISHED MATTE BLACK
4. APPROXIMATE BTUS: 105,000
5. GAS TYPE: NATURAL GAS

DO NOT SCALE DRAWING		<small>PROPRIETARY AND CONFIDENTIAL: THE INFORMATION CONTAINED IN THIS DRAWING IS THE SOLE PROPERTY OF ACUCRAFT. ANY REPRODUCTION IN PART OR AS A WHOLE WITHOUT THE WRITTEN PERMISSION OF ACUCRAFT IS PROHIBITED.</small>		 Acucraft Fireplace Systems 19672 172nd Street Big Lake, MN 55309
UNLESS OTHERWISE SPECIFIED ALL DIMENSIONS ARE IN INCHES		<small>TITLE:</small> CUSTOM LINEAR FRONT/RIGHT VIEW MEYDENBAUER GROUP LLC		
<small>DRAWN BY:</small> A.REDBERG	<small>DATE:</small> 1/29/2018	<small>SIZE</small> B	<small>DWG. NO.</small> 7209-A-001	<small>REV</small> A
<small>MATERIAL:</small>		<small>SHEET</small> 1	<small>OF</small> 2	<small>SHEET</small> 1 <small>OF</small> 2

8 7 6 5 4 3 2 1

8 7 6 5 4 3 2 1



DO NOT SCALE DRAWING		PROPRIETARY AND CONFIDENTIAL: THE INFORMATION CONTAINED IN THIS DRAWING IS THE SOLE PROPERTY OF ACUCRAFT. ANY REPRODUCTION IN PART OR AS A WHOLE WITHOUT THE WRITTEN PERMISSION OF ACUCRAFT IS PROHIBITED.		 Acucraft Fireplace Systems 19672 172nd Street Big Lake, MN 55309
UNLESS OTHERWISE SPECIFIED ALL DIMENSIONS ARE IN INCHES		TITLE: CUSTOM LINEAR FRONT/RIGHT VIEW MEYDENBAUER GROUP LLC		
DRAWN BY: A.REDBERG	DATE: 1/29/2018	SIZE B	DWG. NO. 7209-A-001	REV A
MATERIAL:				SHEET 2 OF 2