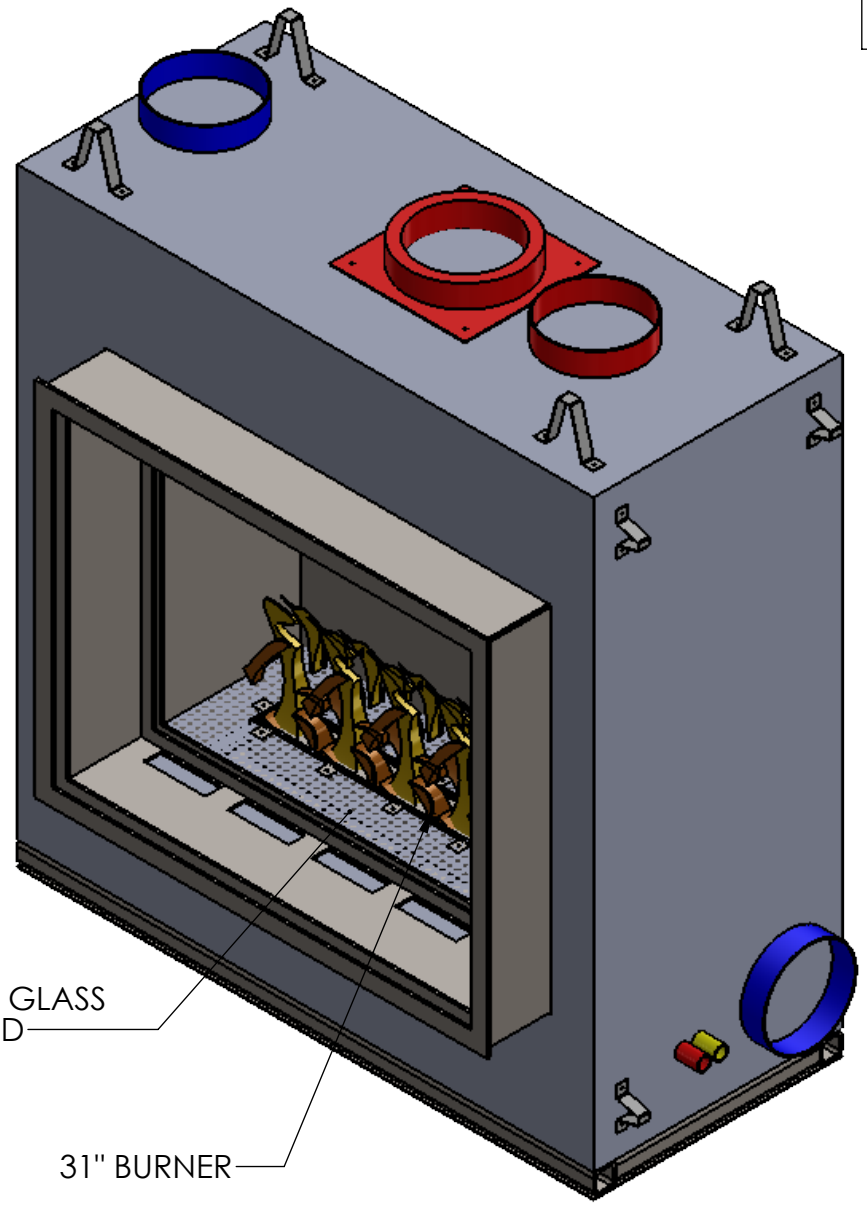


8 7 6 5 4 3 2 1

REVISIONS			
REV.	DESCRIPTION	ECO	DATE
A	INITIAL RELEASE	AR	2/26/2018
B	REVISED PER PLANS	AR	3/21/2018
C	REVISED PER CUSTOMER MARKUPS	AR	5/2/2018
D	REVISED INTAKE/EXHAUST LOCATIONS	AR	5/15/2018


D
C
B
A



MEDIA TRAY TO BE COVERED W/ GLASS
MEDIA COLOR TO BE DETERMINED

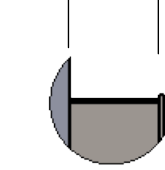
31" BURNER

- NOTES:
1. ALL OVERALL DIMENSIONS +/- 1/4"
 2. CLEARANCE TO COMBUSTIBLES TO BE 4" ON TOP AND 2" ON BACK AND SIDES
 3. FRAME AND FIREBOX TO BE FINISHED MATTE BLACK
 4. APPROXIMATE BTUS: 39,000
 5. GAS TYPE: NATURAL GAS

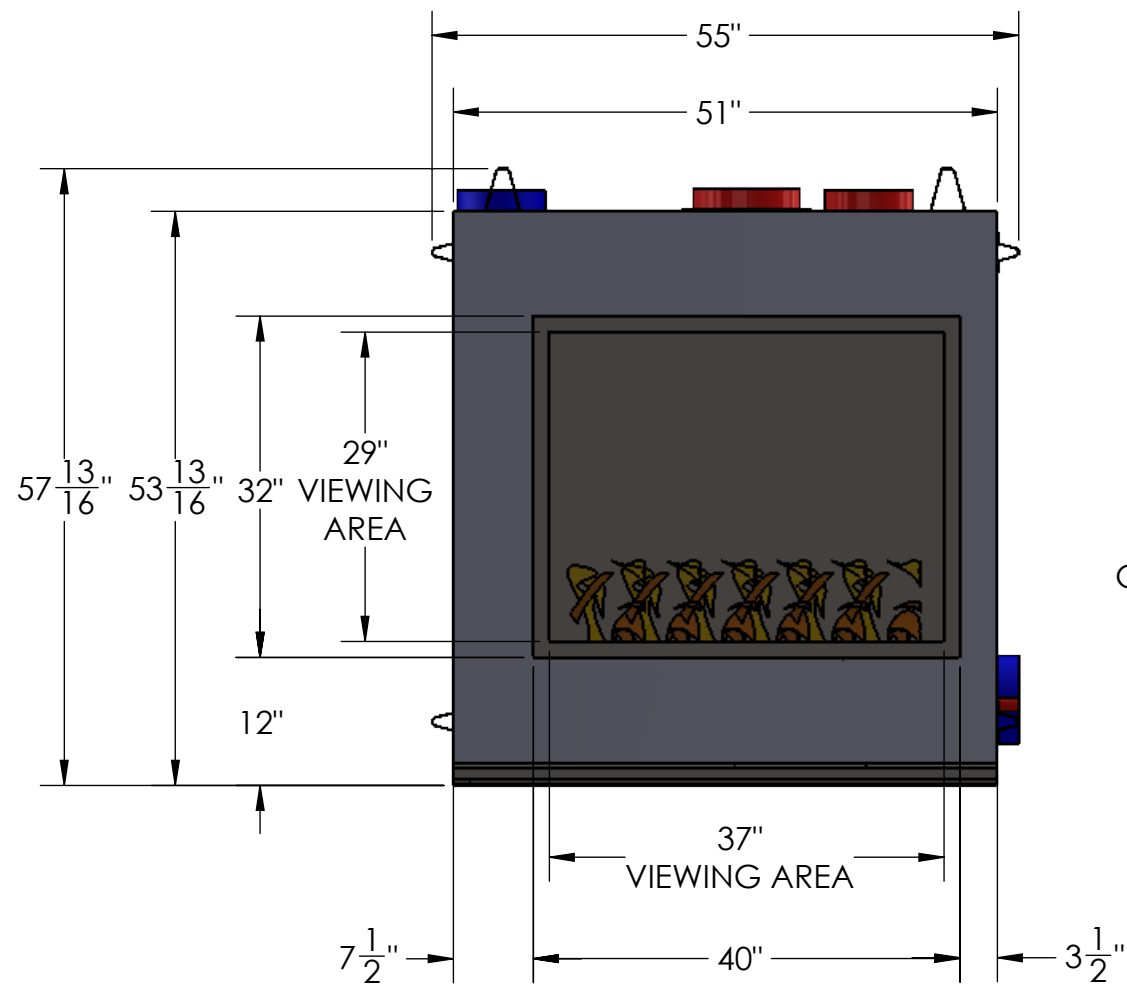
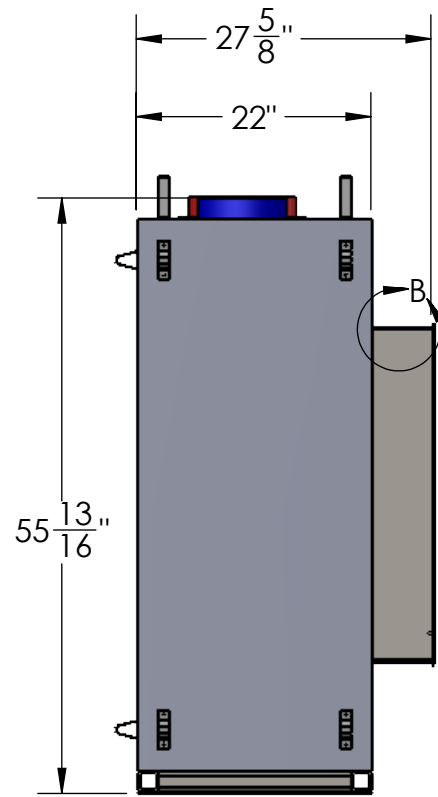
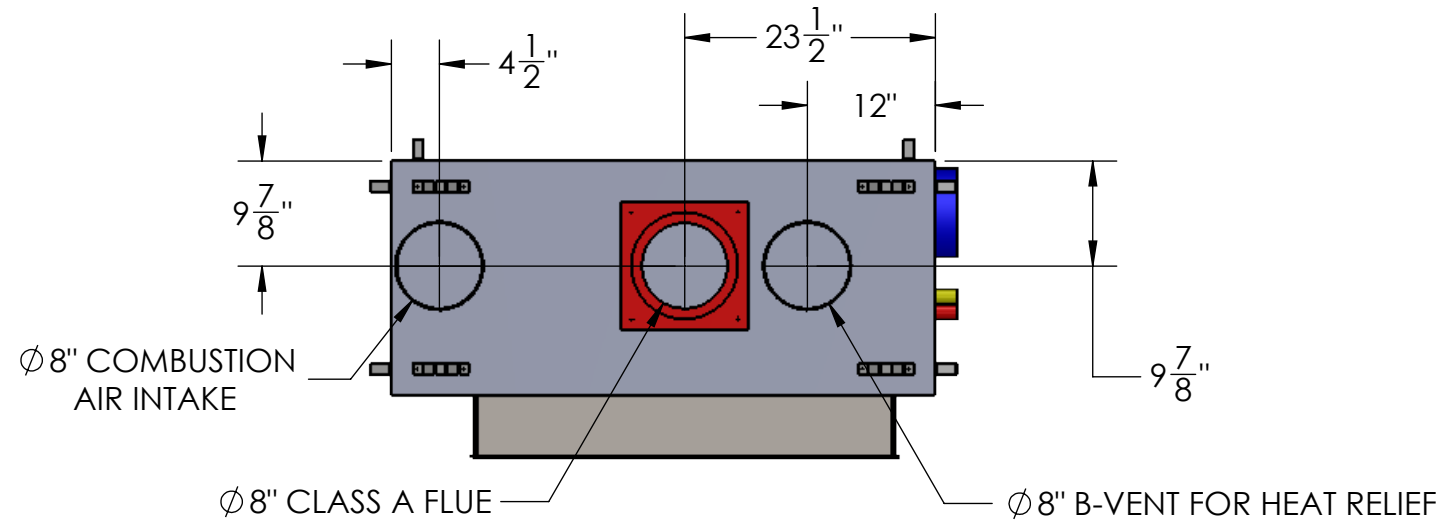
DO NOT SCALE DRAWING		<small>PROPRIETARY AND CONFIDENTIAL: THE INFORMATION CONTAINED IN THIS DRAWING IS THE SOLE PROPERTY OF ACUCRAFT. ANY REPRODUCTION IN PART OR AS A WHOLE WITHOUT THE WRITTEN PERMISSION OF ACUCRAFT IS PROHIBITED.</small>		 Acucraft Fireplace Systems 19672 172nd Street Big Lake, MN 55309	
UNLESS OTHERWISE SPECIFIED ALL DIMENSIONS ARE IN INCHES		TITLE: CUSTOM LINEAR GAS AMBLER FIREPLACE - 7260			
DRAWN BY: A.REDBERG	DATE: 5/15/2018	SIZE B	DWG. NO. 7260-A-004	REV D	SHEET 1 OF 2

8 7 6 5 4 3 2 1

5 ⁵/₈" REVEAL

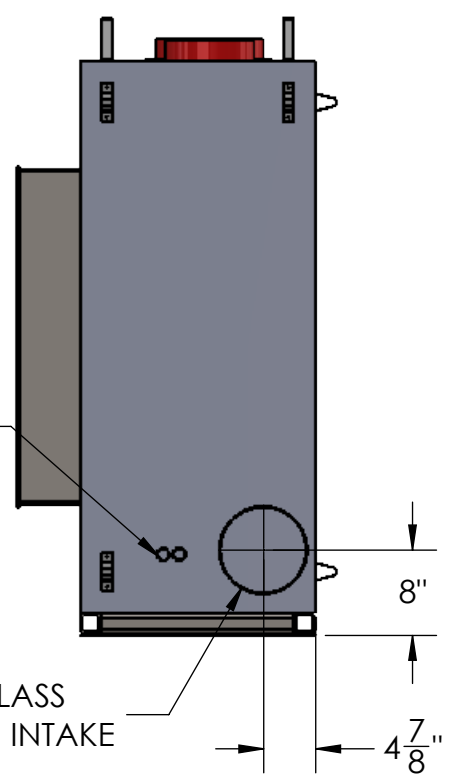



DETAIL B
SCALE 1 : 12



GAS AND ELECTRIC STUBS

Ø8" GLASS COOLING INTAKE



DO NOT SCALE DRAWING		PROPRIETARY AND CONFIDENTIAL: THE INFORMATION CONTAINED IN THIS DRAWING IS THE SOLE PROPERTY OF ACUCRAFT. ANY REPRODUCTION IN PART OR AS A WHOLE WITHOUT THE WRITTEN PERMISSION OF ACUCRAFT IS PROHIBITED.		 Acucraft Fireplace Systems 19672 172nd Street Big Lake, MN 55309
UNLESS OTHERWISE SPECIFIED ALL DIMENSIONS ARE IN INCHES		TITLE: CUSTOM LINEAR GAS AMBLER FIREPLACE - 7260		
DRAWN BY: A. REDBERG	DATE: 5/15/2018	SIZE B	DWG. NO. 7260-A-004	REV D
MATERIAL:				SHEET 2 OF 2