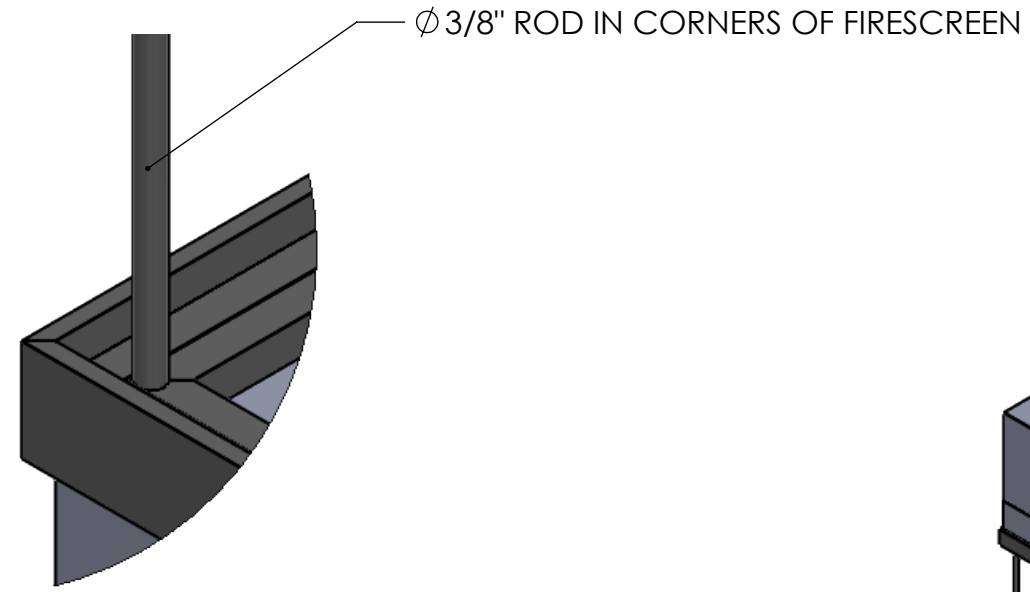
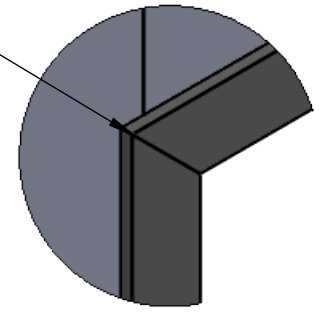
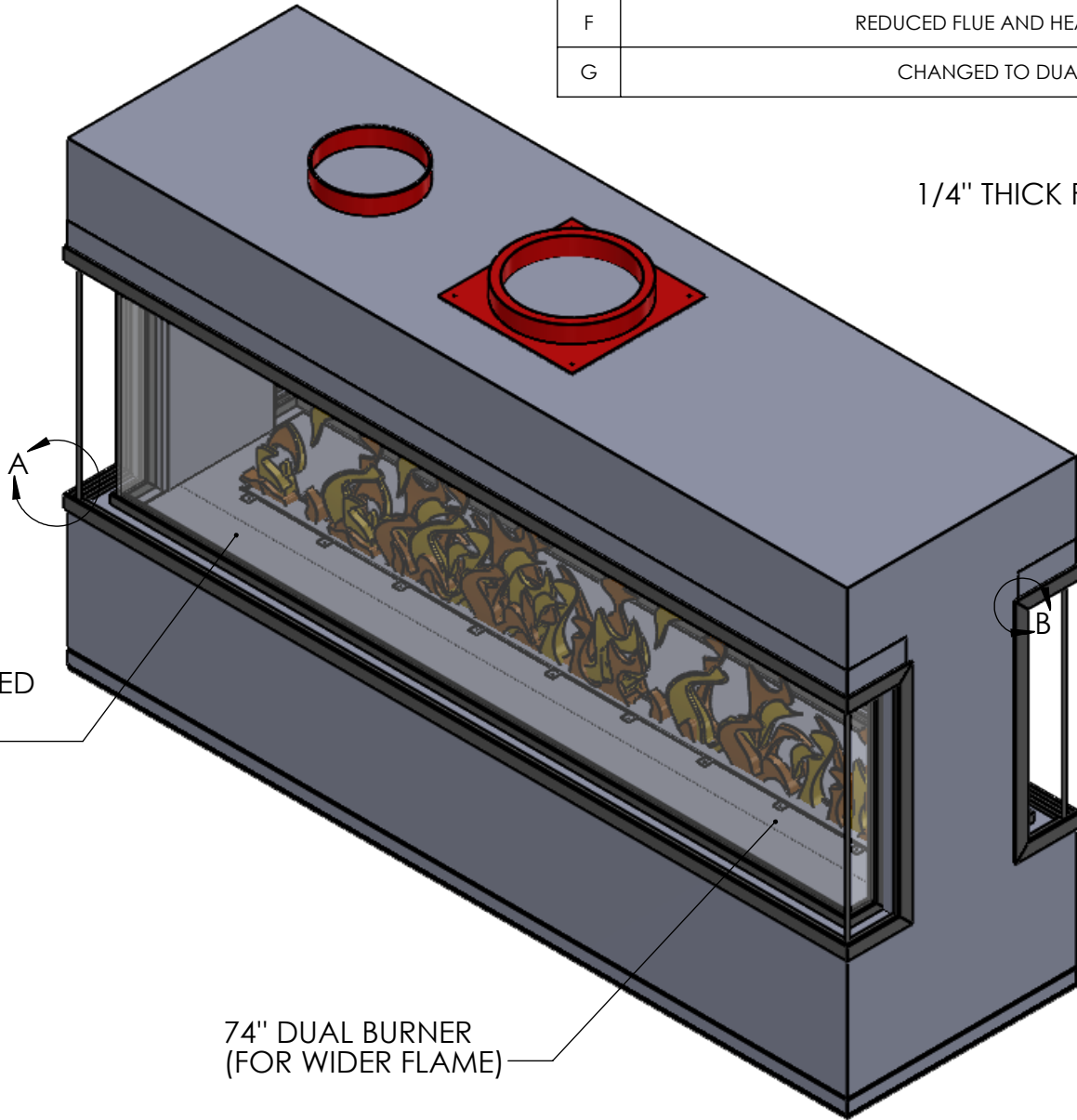


8 7 6 5 4 3 2 1

REVISIONS			
REV.	DESCRIPTION	ECO	DATE
A	INITIAL RELEASE	AR	4/26/2018
B	REVISED PER CUSTOMER REQUEST	AR	5/2/2018
C	REVISED PER CUSTOMER SUPPLIED MARKUPS	AR	5/18/2018
D	REVISED FIREPLACE WIDTH AND INTAKE PLACEMENT	AR	5/24/2018
E	REMOVED GLASS COOLING ADDED FIRESCREEN	AR	5/29/2018
F	REDUCED FLUE AND HEAT RELIEF SIZES	AR	5/31/2018
G	CHANGED TO DUAL BURNER	AR	6/21/2018



DETAIL A
SCALE 1 : 2



DETAIL B
SCALE 1 : 3

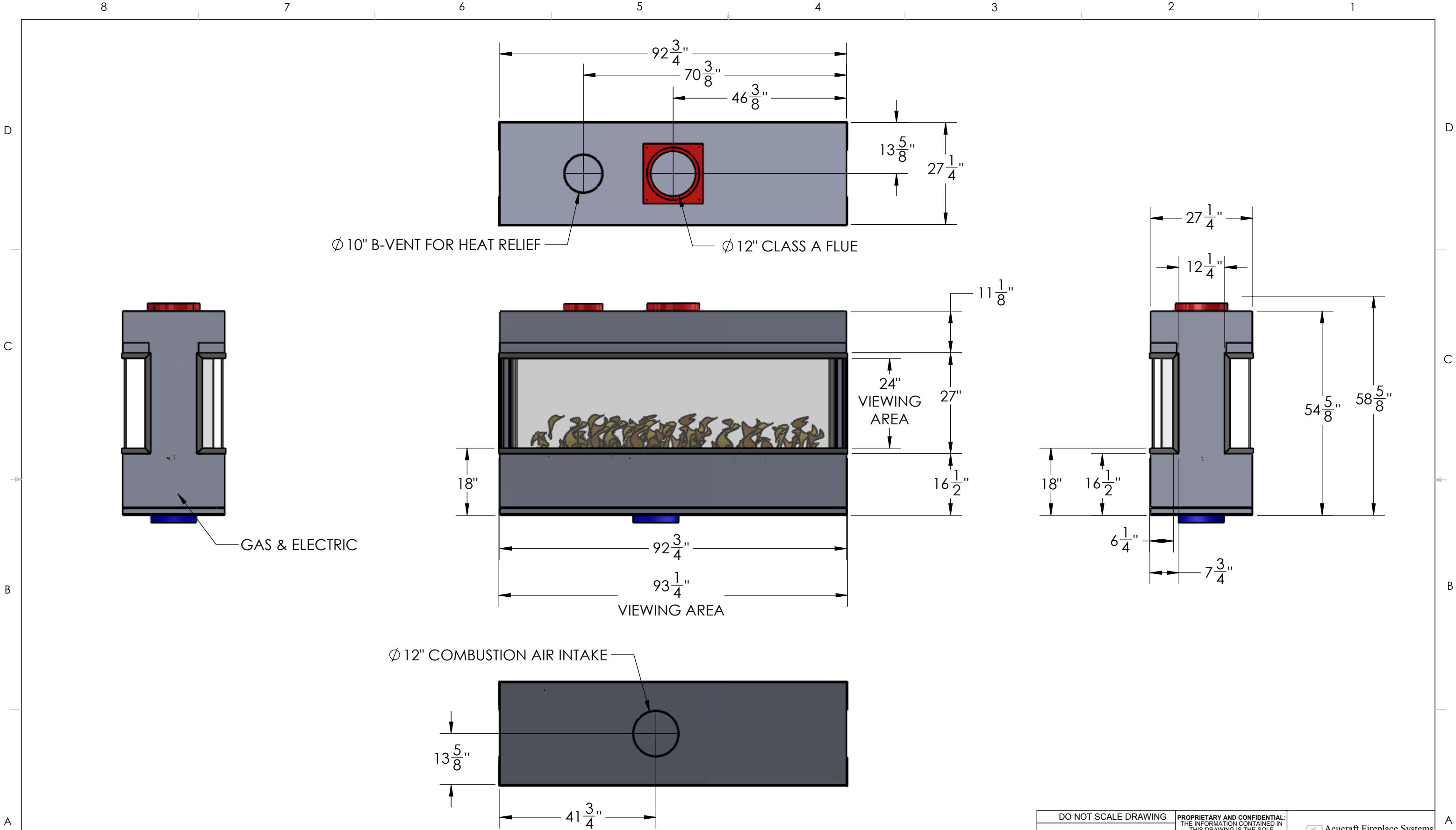
MEDIA TRAY TO BE COVERED
WITH 1/4" CRUSHED GLASS
(COLOR TBD)

74" DUAL BURNER
(FOR WIDER FLAME)

- NOTES:
1. ALL OVERALL DIMENSIONS +/- 1/4"
 2. CLEARANCE TO COMBUSTIBLES TO BE 4" ON TOP AND 2" ON BACK AND SIDES
 3. FRAME AND FIREBOX TO BE FINISHED MATTE BLACK
 4. APPROXIMATE BTUS: 185,000
 5. GAS TYPE: NATURAL GAS

DO NOT SCALE DRAWING		<small>PROPRIETARY AND CONFIDENTIAL:</small> <small>THE INFORMATION CONTAINED IN THIS DRAWING IS THE SOLE PROPERTY OF ACUCRAFT. ANY REPRODUCTION IN PART OR AS A WHOLE WITHOUT THE WRITTEN PERMISSION OF ACUCRAFT IS PROHIBITED.</small>		 Acucraft Fireplace Systems 19672 172nd Street Big Lake, MN 55309
<small>UNLESS OTHERWISE SPECIFIED ALL DIMENSIONS ARE IN INCHES</small>		TITLE: CUSTOM GAS FIREPLACE CONRADO HOME BUILDERS 7459		
<small>DRAWN BY:</small> A.REDBERG	<small>DATE:</small> 6/21/2018	<small>SIZE</small> B	<small>DWG. NO.</small> 7459-A-007	<small>REV</small> G
<small>MATERIAL:</small>		<small>SHEET</small> 1		<small>OF</small> 3

8 7 6 5 4 3 2 1

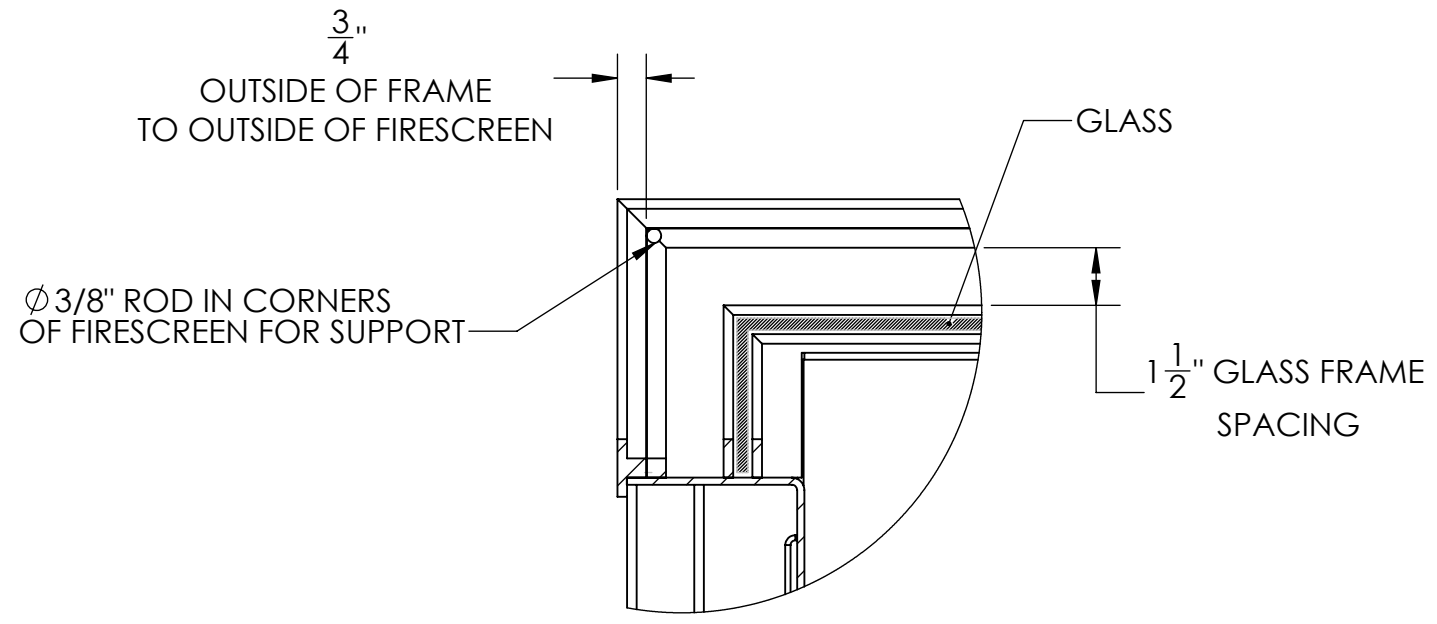


DO NOT SCALE DRAWING		PROPRIETARY AND CONFIDENTIAL: THE INFORMATION CONTAINED IN THIS DRAWING IS THE SOLE PROPERTY OF ACUCRAFT. ANY REPRODUCTION IN PART OR AS A WHOLE WITHOUT THE WRITTEN PERMISSION OF ACUCRAFT IS PROHIBITED.		 Acucraft Fireplace Systems 19672 172nd Street Big Lake, MN 55309
UNLESS OTHERWISE SPECIFIED ALL DIMENSIONS ARE IN INCHES		TITLE: CUSTOM GAS FIREPLACE CONRADO HOME BUILDERS 7459		
DRAWN BY: A. REDBERG	DATE: 6/21/2018	SIZE B	DWG. NO. 7459-A-007	REV G
MATERIAL:				SHEET 2 OF 3

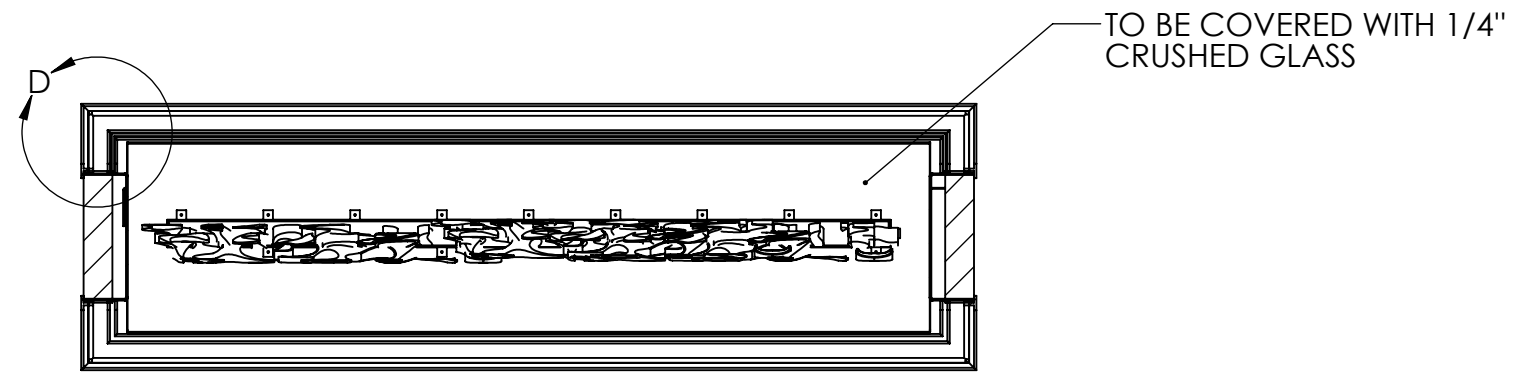
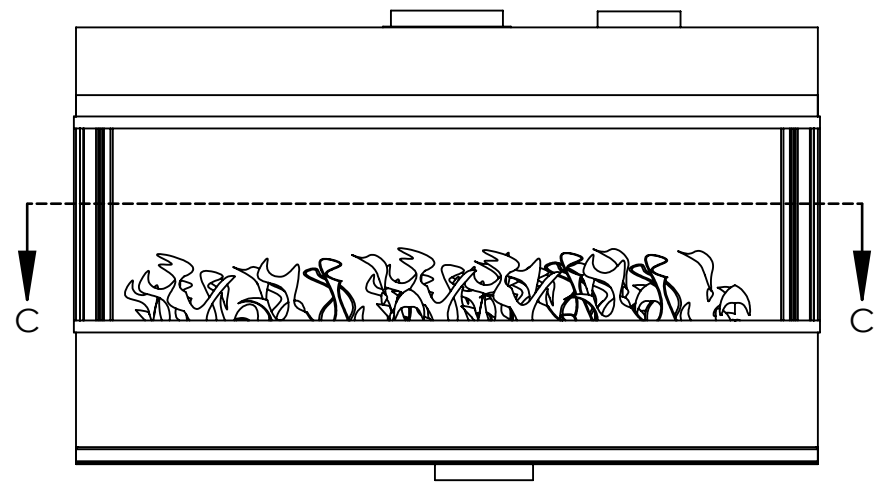
8 7 6 5 4 3 2 1

D
C
B
A

D
C
B
A



DETAIL D
SCALE 1 : 5



SECTION C-C
SCALE 1 : 20

DO NOT SCALE DRAWING		<small>PROPRIETARY AND CONFIDENTIAL: THE INFORMATION CONTAINED IN THIS DRAWING IS THE SOLE PROPERTY OF ACUCRAFT. ANY REPRODUCTION IN PART OR AS A WHOLE WITHOUT THE WRITTEN PERMISSION OF ACUCRAFT IS PROHIBITED.</small>		 Acucraft Fireplace Systems 19672 172nd Street Big Lake, MN 55309
<small>UNLESS OTHERWISE SPECIFIED ALL DIMENSIONS ARE IN INCHES</small>		TITLE: CUSTOM GAS FIREPLACE CONRADO HOME BUILDERS 7459		
<small>DRAWN BY:</small> A.REDBERG	<small>DATE:</small> 6/18/2018	<small>SIZE</small> B	<small>DWG. NO.</small> 7459-A-007	<small>REV</small> G
<small>MATERIAL:</small>		<small>SHEET</small> 3	<small>OF</small> 3	

8 7 6 5 4 3 2 1