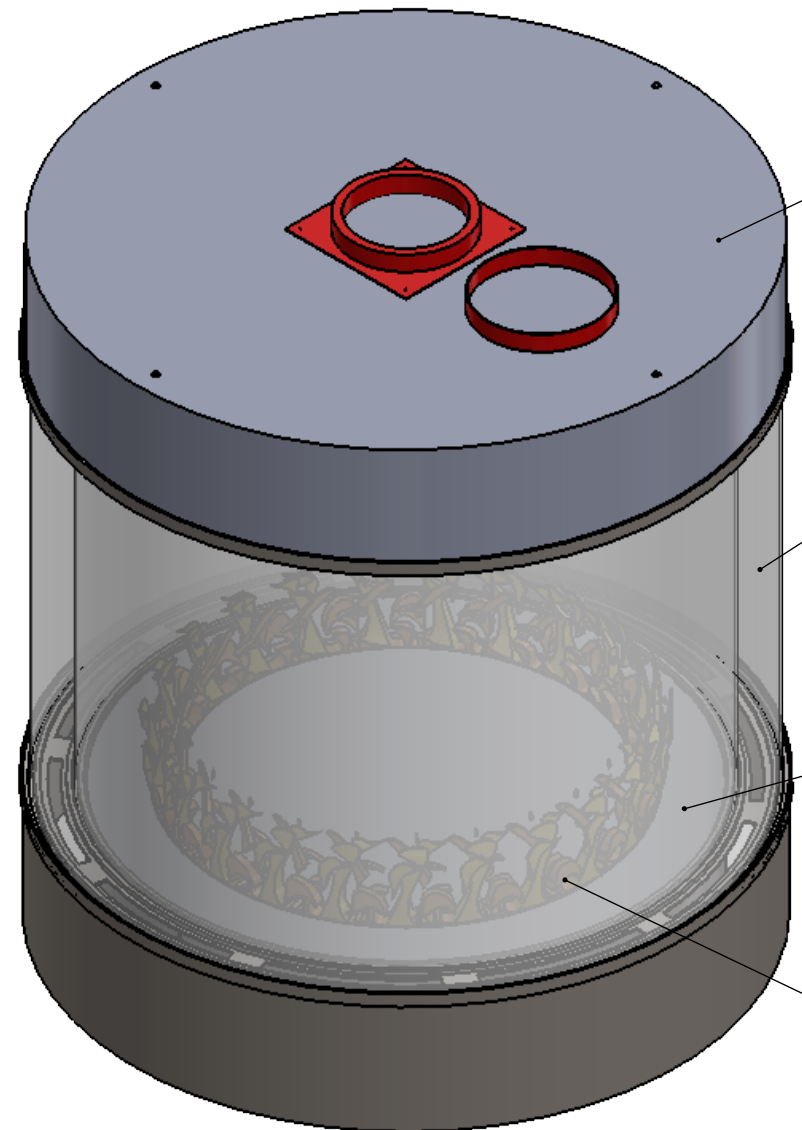


REVISIONS			
REV.	DESCRIPTION	ECO	DATE
A	A.REDBERG	AR	5/4/2018
C	AIR TO BE DRAWN FROM SURROUND SPACE USING AIR GAP AT BOTTOM OF UNIT	RS	6/11/2018




HOOD FINISH HIDDEN

FULL GLASS COOLING PACKAGE,
TWO CIRCULAR GLASS LAYERS ALLOWING
FOR GLASS TO BE COOL ENOUGH TO TOUCH

MESH TO BE COVERED WITH GLASS
MEDIA: bRONZE rEFLECTIVE

48" BURNER

- NOTES:
1. ALL OVERALL DIMENSIONS +/- 1/4"
 2. FIREPLACE HOOD TO BE SUPPORTED FROM ABOVE AS SPECIFIED ON DRAWING.
 3. FINISH MATERIAL TO BE PROVIDED BY ACUCRAFT
 4. APPROXIMATE HOOD WEIGHT: 650 LBS
APPROXIMATE SHROUD WEIGT 350 LBS
 5. APPROXIMATE BTU: 178,000
 6. GAS TYPE: NATURAL GAS
 7. GLASS TO BE INSTALLED BY BAKER GROUP

DO NOT SCALE DRAWING		<small>PROPRIETARY AND CONFIDENTIAL: THE INFORMATION CONTAINED IN THIS DRAWING IS THE SOLE PROPERTY OF ACUCRAFT. ANY REPRODUCTION IN PART OR AS A WHOLE WITHOUT THE WRITTEN PERMISSION OF ACUCRAFT IS PROHIBITED.</small>		 Acucraft Fireplace Systems 19672 172nd Street Big Lake, MN 55309
<small>UNLESS OTHERWISE SPECIFIED ALL DIMENSIONS ARE IN INCHES</small>		<small>TITLE:</small> CUSTOM CIRCULAR FIREPLACE WEITZ CONSTRUCTION 7499		
<small>DRAWN BY:</small> R.SHEPHERD	<small>DATE:</small> 06/11/2018	<small>SIZE</small> B	<small>DWG. NO.</small> 7499-A-003	<small>REV</small> C
<small>MATERIAL:</small>		<small>SHEET</small> 1	<small>OF</small> 3	

8 7 6 5 4 3 2 1

D
C
B
A

D
C
B
A

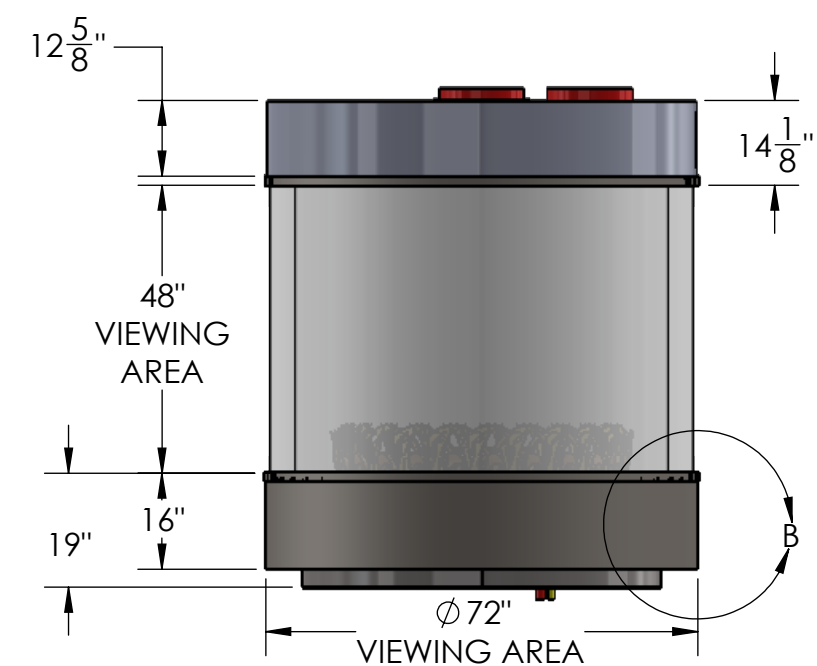
4X 3/4-10NC COUPLER NUTS EQUALLY SPACED ON A $\phi 66 \frac{3}{8}$ " BOLT CIRCLE

$\phi 12$ " CLASS A FLUE

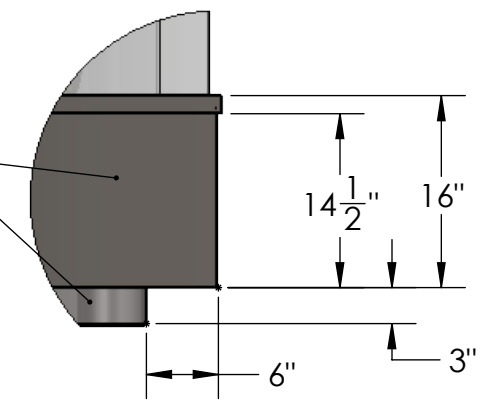
$\phi 14$ " B-VENT FOR HEAT RELIEF

$\phi 72 \frac{1}{2}$ "

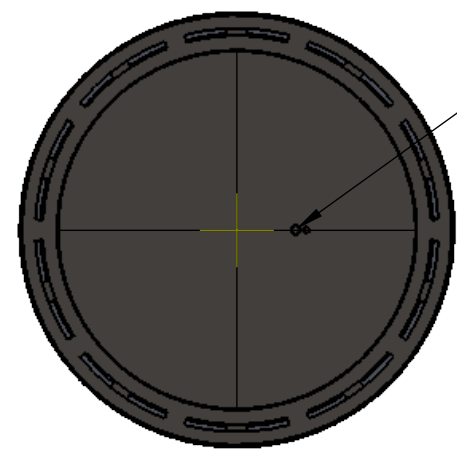
18"



EXPOSED METAL TO BE PAINTED HONEY GLO TO MATCH EXTERIOR WRAP



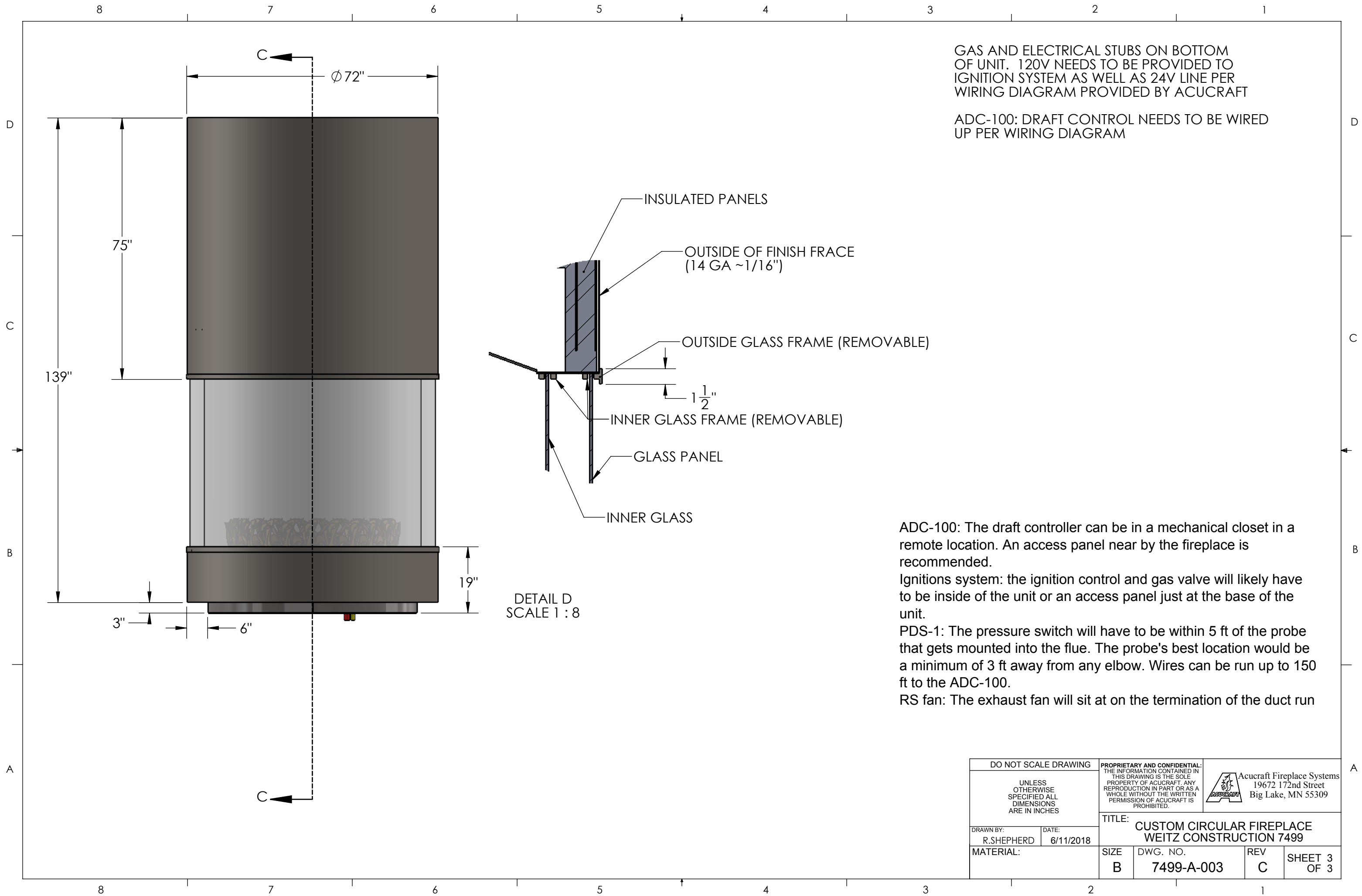
DETAIL B
SCALE 1 : 16



GAS & ELECTRIC STUBS

8 7 6 5 4 3 2 1

DO NOT SCALE DRAWING		<small>PROPRIETARY AND CONFIDENTIAL: THE INFORMATION CONTAINED IN THIS DRAWING IS THE SOLE PROPERTY OF ACUCRAFT. ANY REPRODUCTION IN PART OR AS A WHOLE WITHOUT THE WRITTEN PERMISSION OF ACUCRAFT IS PROHIBITED.</small>		<p>Acucraft Fireplace Systems 19672 172nd Street Big Lake, MN 55309</p>
UNLESS OTHERWISE SPECIFIED ALL DIMENSIONS ARE IN INCHES		TITLE: CUSTOM CIRCULAR FIREPLACE WEITZ CONSTRUCTION 7499		
DRAWN BY: R.SHEPHERD	DATE: 06/11/2018	SIZE B	DWG. NO. 7499-A-003	REV C
MATERIAL:				SHEET 2 OF 3



GAS AND ELECTRICAL STUBS ON BOTTOM OF UNIT. 120V NEEDS TO BE PROVIDED TO IGNITION SYSTEM AS WELL AS 24V LINE PER WIRING DIAGRAM PROVIDED BY ACUCRAFT

ADC-100: DRAFT CONTROL NEEDS TO BE WIRED UP PER WIRING DIAGRAM


ADC-100: The draft controller can be in a mechanical closet in a remote location. An access panel near by the fireplace is recommended.

Ignitions system: the ignition control and gas valve will likely have to be inside of the unit or an access panel just at the base of the unit.

PDS-1: The pressure switch will have to be within 5 ft of the probe that gets mounted into the flue. The probe's best location would be a minimum of 3 ft away from any elbow. Wires can be run up to 150 ft to the ADC-100.

RS fan: The exhaust fan will sit at on the termination of the duct run

DETAIL D
SCALE 1 : 8

DO NOT SCALE DRAWING		PROPRIETARY AND CONFIDENTIAL: THE INFORMATION CONTAINED IN THIS DRAWING IS THE SOLE PROPERTY OF ACUCRAFT. ANY REPRODUCTION IN PART OR AS A WHOLE WITHOUT THE WRITTEN PERMISSION OF ACUCRAFT IS PROHIBITED.		 Acucraft Fireplace Systems 19672 172nd Street Big Lake, MN 55309
UNLESS OTHERWISE SPECIFIED ALL DIMENSIONS ARE IN INCHES		TITLE: CUSTOM CIRCULAR FIREPLACE WEITZ CONSTRUCTION 7499		
DRAWN BY: R.SHEPHERD	DATE: 6/11/2018	SIZE B	DWG. NO. 7499-A-003	REV C
MATERIAL:				SHEET 3 OF 3