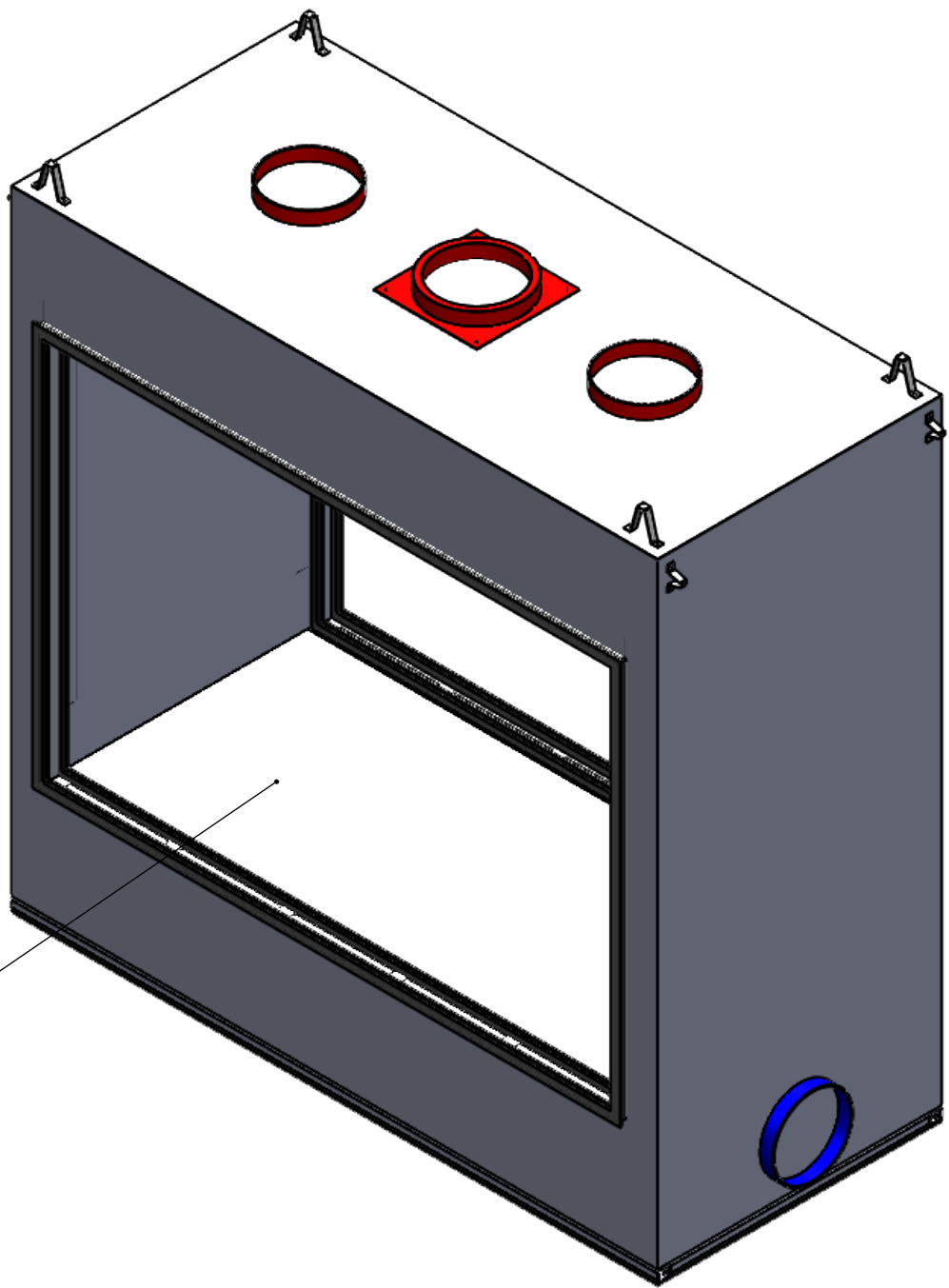


REV	DESCRIPTION	ECO	DATE
A	INITIAL RELEASE	AR	6/6/17
B	REVISED HEIGHT TO GLASS FRAME	AR	7/20/17
C	UPDATE LOGSET	AR	10/10/17
D	REVISE VIEWING AREA	AR	10/20/17

60" GOLDEN OAK  
DESIGNER



DO NOT SCALE DRAWING

UNLESS OTHERWISE SPECIFIED ALL DIMENSIONS ARE IN INCHES		PROPRIETARY AND CONFIDENTIAL: THE INFORMATION CONTAINED IN THIS DRAWING IS THE SOLE PROPERTY OF ACUCRAFT. ANY REPRODUCTION IN PART OR AS A WHOLE WITHOUT THE WRITTEN PERMISSION OF ACUCRAFT IS PROHIBITED.		Acucraft Fireplace Systems 20100 West Highway 10 Big Lake, MN 55309	
DRAWN BY: A.REDBERG		DATE: 10/20/17		TITLE: J000VP00W0P	
MATERIAL:		SIZE B	DWG. NO. 0795-A-004	REV D	SHEET 1 OF 2

