

ITEM NO.	PART NUMBER	DESCRIPTION	QTY.
1	0774-09	BURNER TRAY	1
2	0774-029	INSIDE FLANGE	1
3	0774-035	OUTSIDE FLANGE	1
4	0774-006	BURNER TUBE	1

REVISIONS			
REV.	DESCRIPTION	ECO	DATE

D

D

C

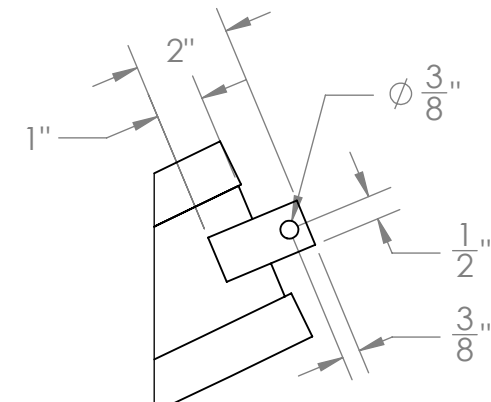
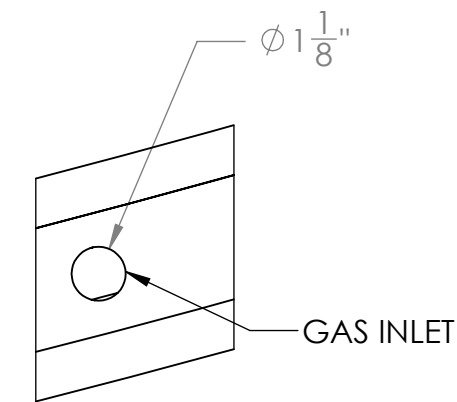
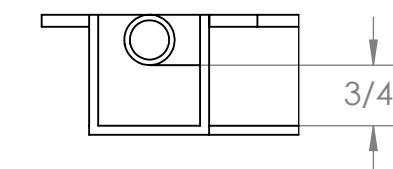
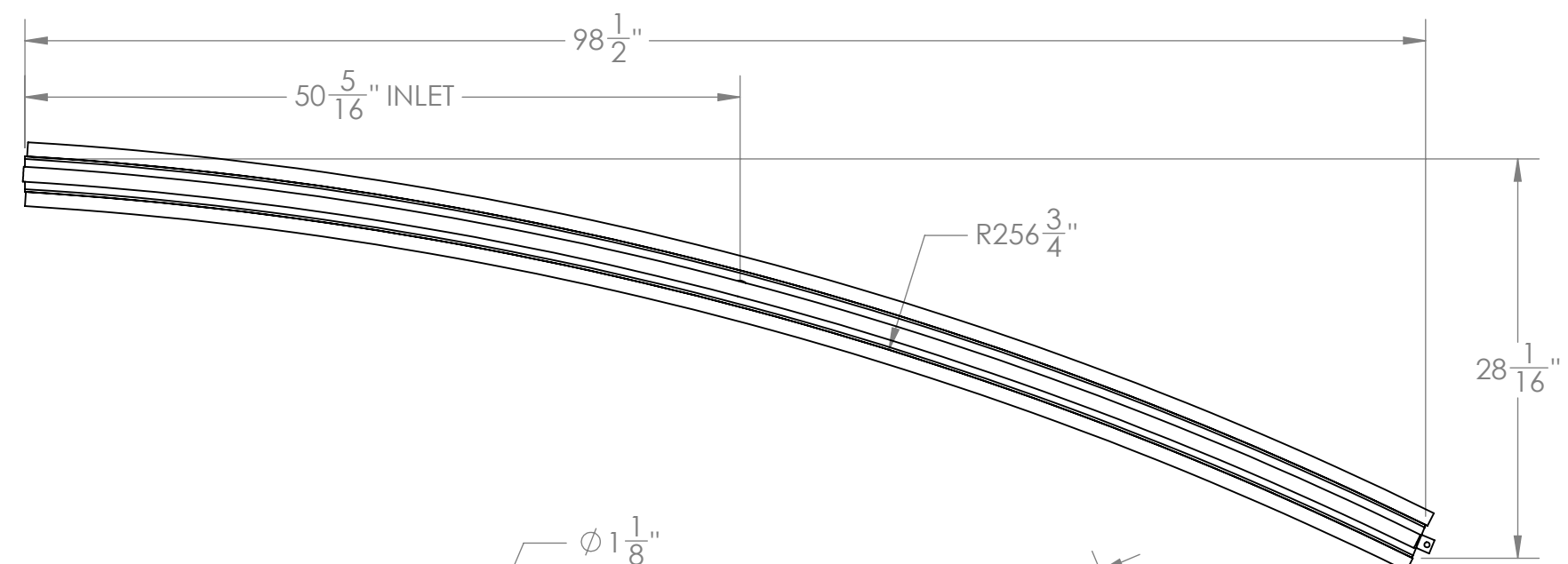
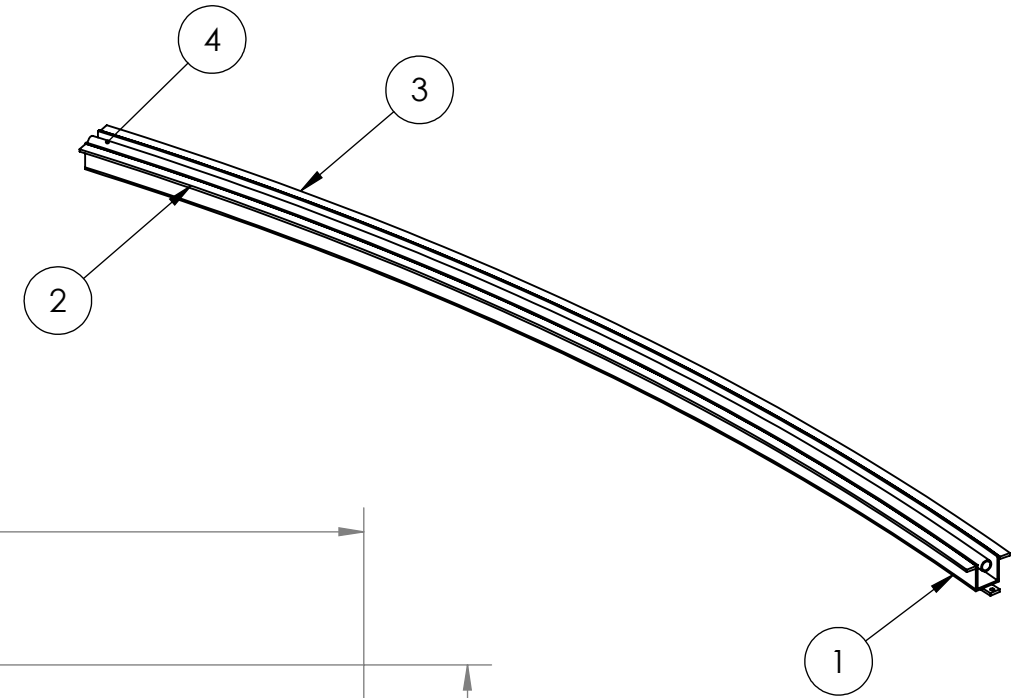
C


B

B

A

A



DO NOT SCALE DRAWING		<small>PROPRIETARY AND CONFIDENTIAL: THE INFORMATION CONTAINED IN THIS DRAWING IS THE SOLE PROPERTY OF ACUCRAFT. ANY REPRODUCTION IN PART OR AS A WHOLE WITHOUT THE WRITTEN PERMISSION OF ACUCRAFT IS PROHIBITED.</small>		 Acucraft Fireplace Systems 19672 172nd Street Big Lake, MN 55309	
UNLESS OTHERWISE SPECIFIED ALL DIMENSIONS ARE IN INCHES		TITLE: ARC 8 OUTDOOR BURNER			
DRAWN BY: R.SHEPHERD	DATE: 5/2/2017	SIZE B	DWG. NO. 0774-D-001	REV A	SHEET 1 OF 1