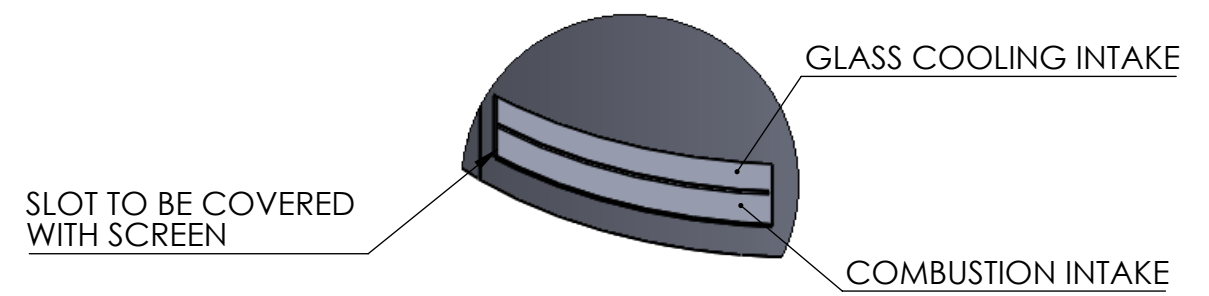
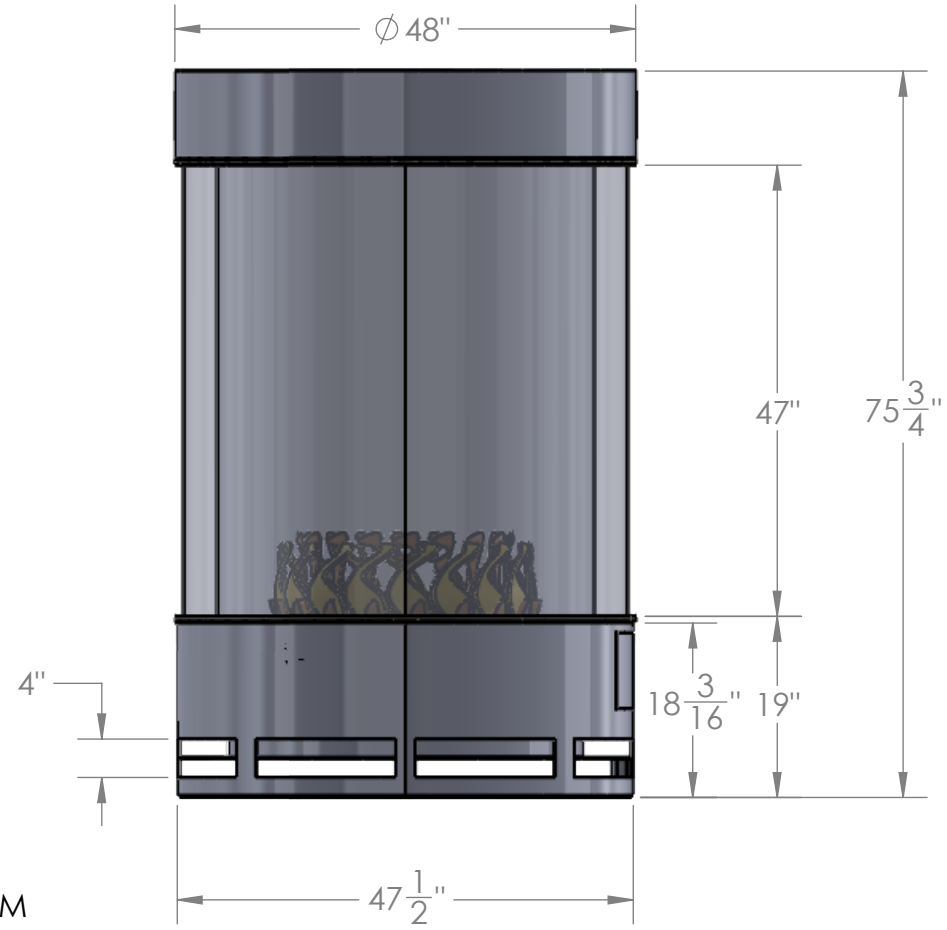
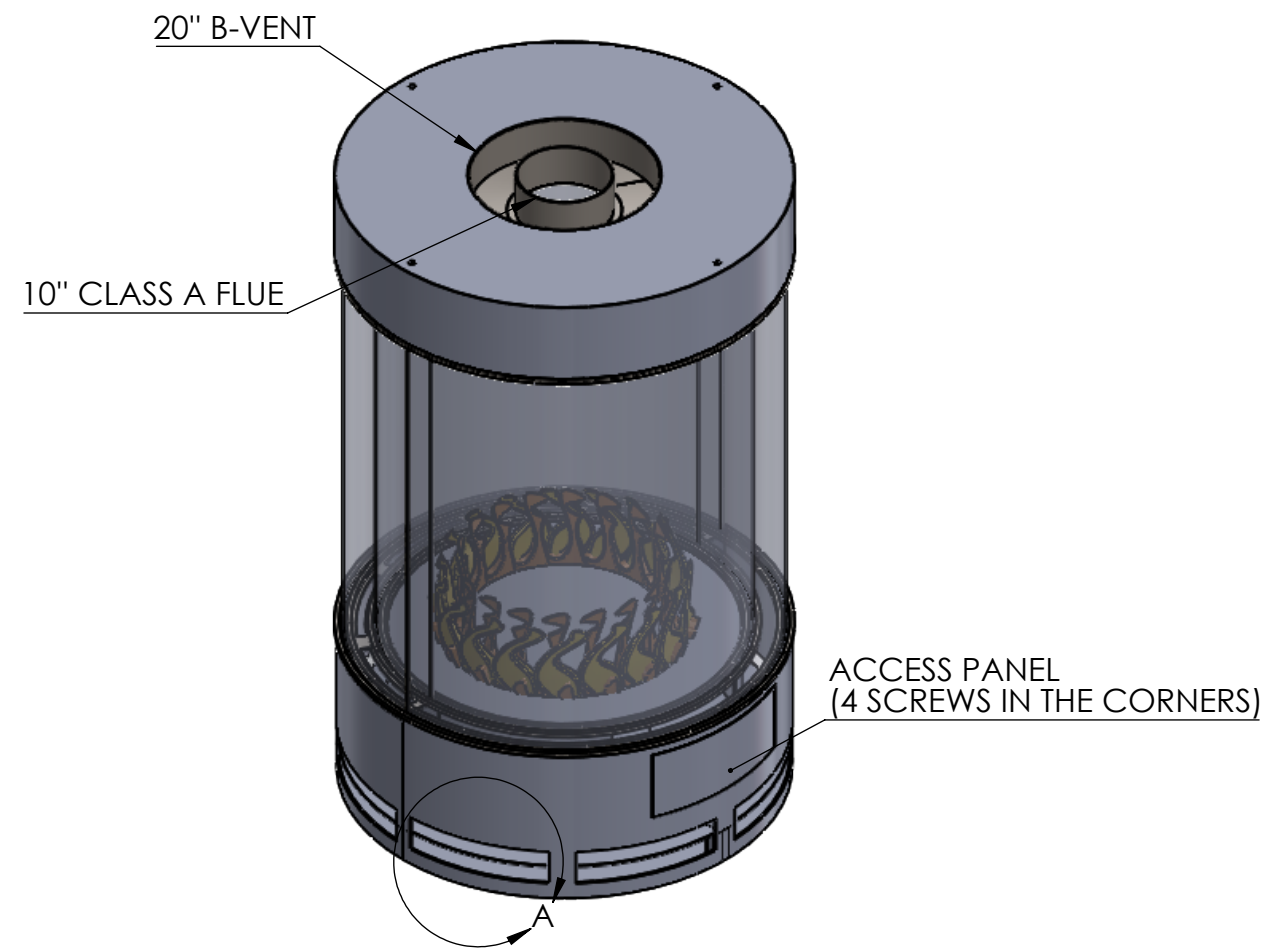
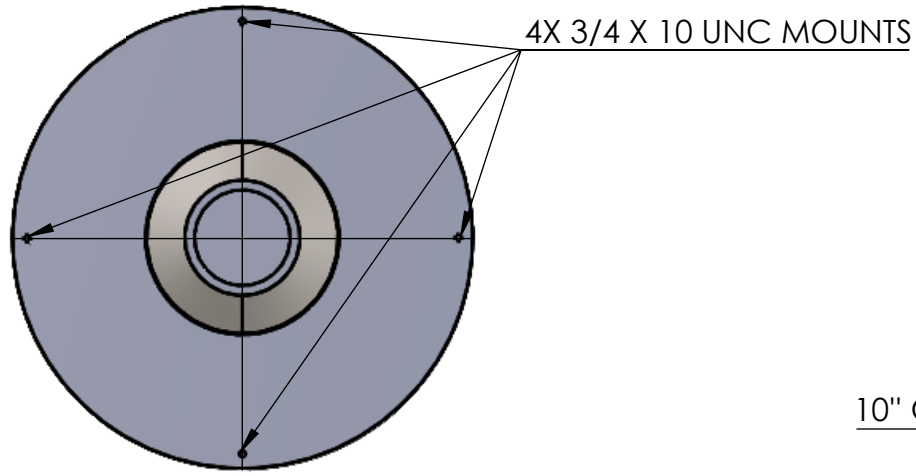
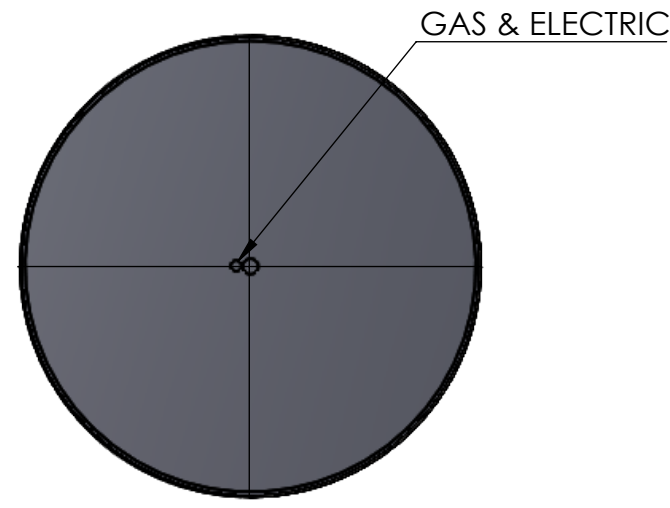
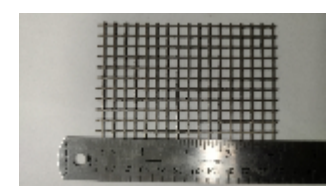



REV	DESCRIPTION	ECO	DATE
A	INITIAL RELEASE	AR	12/11/17



DETAIL A  
SCALE 1 : 10



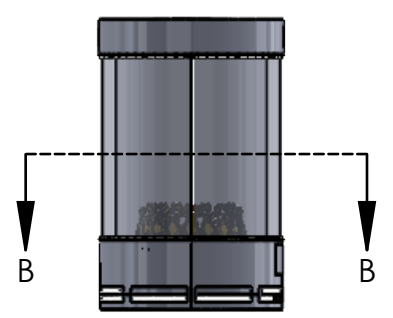
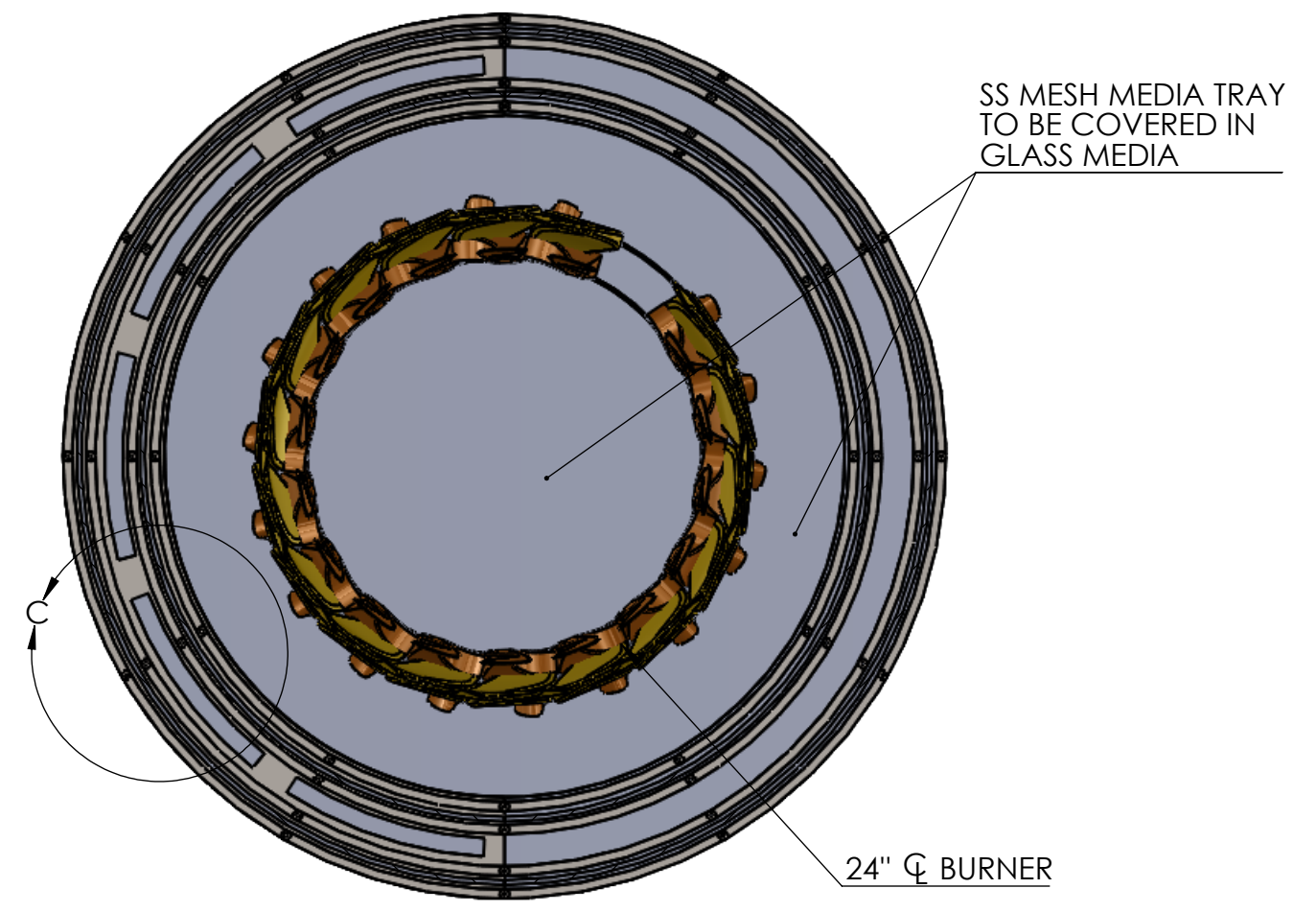
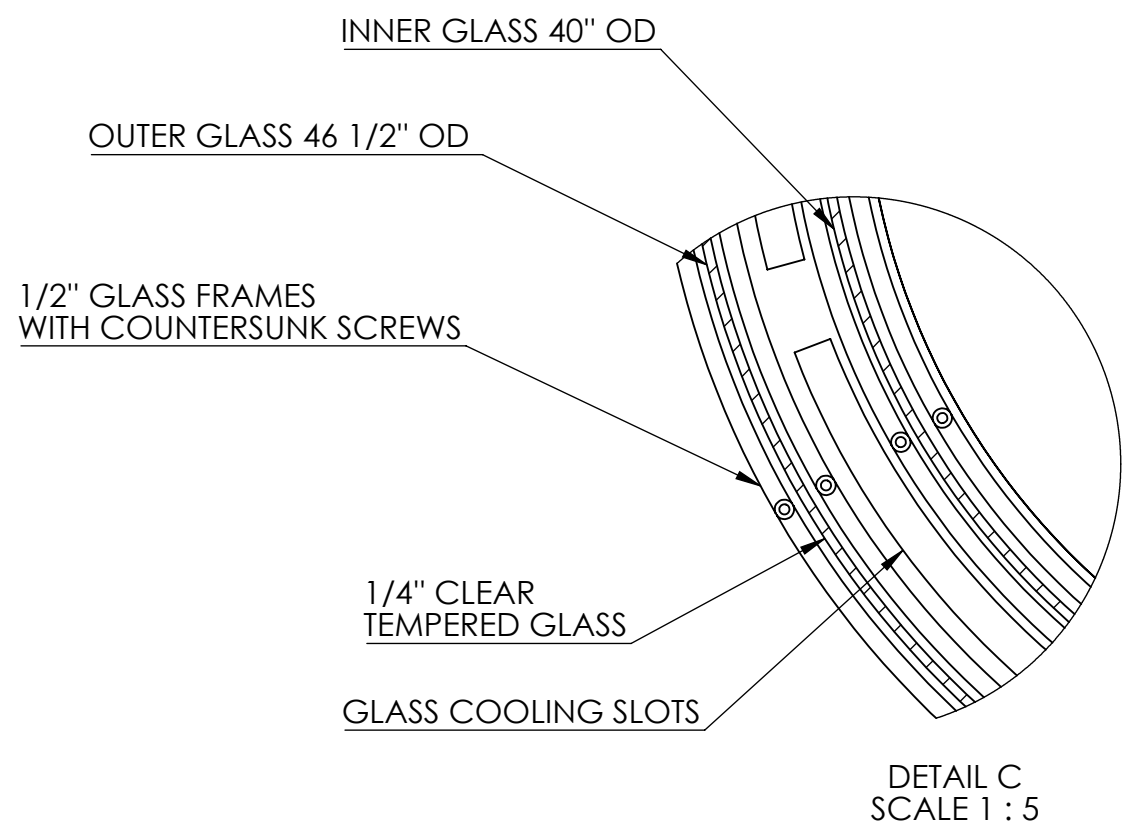
- NOTES:
1. ALL OVERALL DIMENSIONS +/- 1/4"
  2. FIREPLACE HOOD TO BE SUPPORTED FROM ABOVE AS SPECIFIED ON DRAWING.
  3. FINISH MATERIAL TO BE PROVIDED BY OTHERS
  4. APPROXIMATE HOOD WEIGHT: 350LBS
  5. APPROXIMATE BTU: 90,000
  6. GAS TYPE: NATURAL GAS
  7. GLASS TO BE INSTALLED BY OTHERS

DO NOT SCALE DRAWING		PROPRIETARY AND CONFIDENTIAL: THE INFORMATION CONTAINED IN THIS DRAWING IS THE SOLE PROPERTY OF ACUCRAFT. ANY REPRODUCTION IN PART OR AS A WHOLE WITHOUT THE WRITTEN PERMISSION OF ACUCRAFT IS PROHIBITED.		 Acucraft Fireplace Systems 19672 172nd STREET Big Lake, MN 55309	
UNLESS OTHERWISE SPECIFIED ALL DIMENSIONS ARE IN INCHES		TITLE: <b>CIRCULAR 4</b>			
DRAWN BY: A.REDBERG	DATE: 12/11/2017	SIZE B		DWG. NO. 1765-A-001	REV A
MATERIAL:		SHEET 1 OF 4			

8 7 6 5 4 3 2 1


D  
C  
B  
A

D  
C  
B  
A



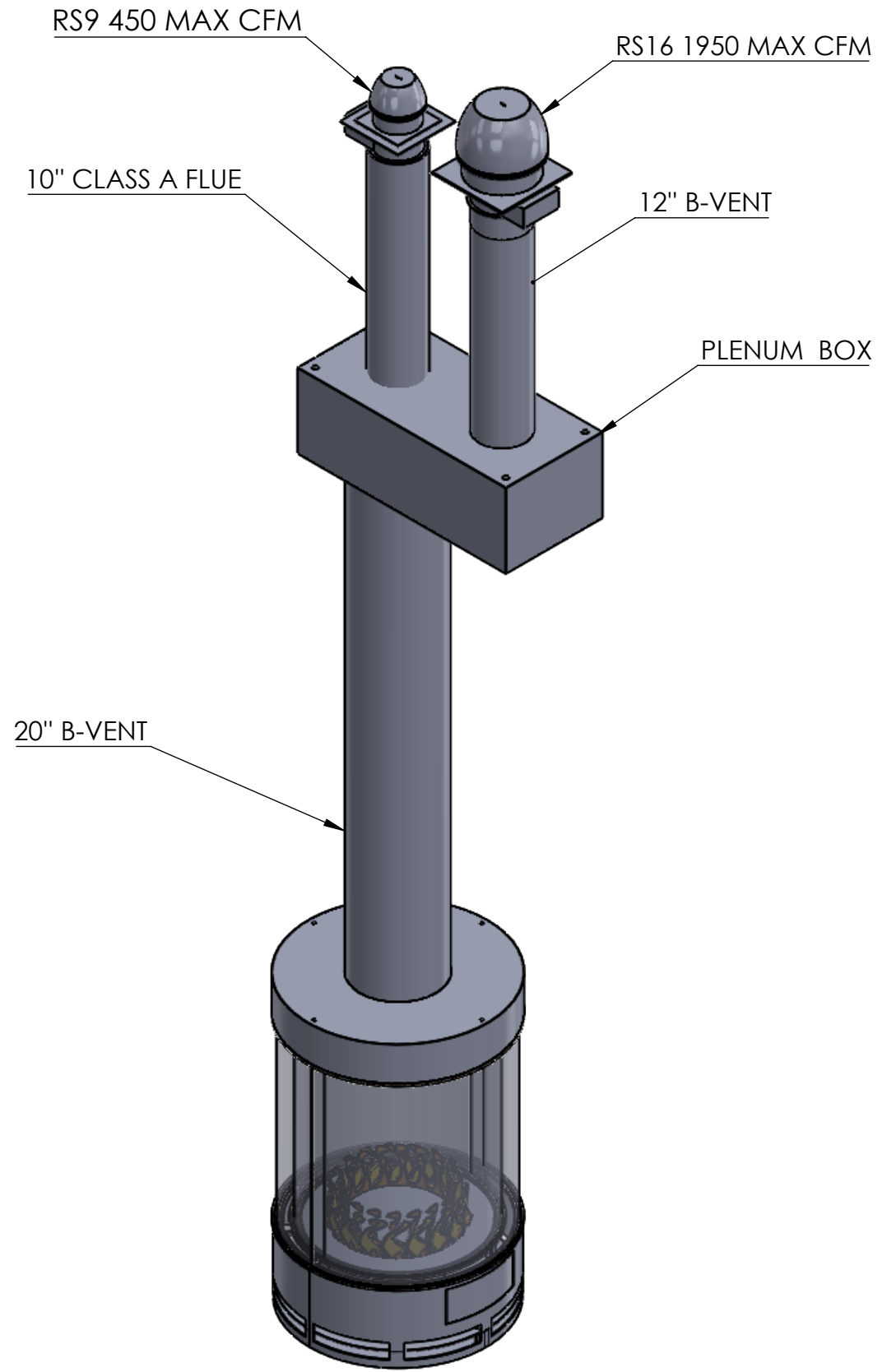
SECTION B-B  
SCALE 1 : 10

8 7 6 5 4 3 2 1


DO NOT SCALE DRAWING		<small>PROPRIETARY AND CONFIDENTIAL: THE INFORMATION CONTAINED IN THIS DRAWING IS THE SOLE PROPERTY OF ACUCRAFT. ANY REPRODUCTION IN PART OR AS A WHOLE WITHOUT THE WRITTEN PERMISSION OF ACUCRAFT IS PROHIBITED.</small>		 <b>Acucraft Fireplace Systems</b> 19672 172nd STREET Big Lake, MN 55309
<small>UNLESS OTHERWISE SPECIFIED ALL DIMENSIONS ARE IN INCHES</small>		<small>TITLE:</small> <b>CIRCULAR 4</b>		
<small>DRAWN BY:</small> A.REDBERG	<small>DATE:</small> 12/11/2017	<small>SIZE</small> B	<small>DWG. NO.</small> 1765-A-001	<small>REV</small> A
<small>MATERIAL:</small>				<small>SHEET</small> 2 <small>OF</small> 4

8 7 6 5 4 3 2 1

D  
C  
B  
A



8 7 6 5 4 3 2 1

DO NOT SCALE DRAWING		PROPRIETARY AND CONFIDENTIAL: THE INFORMATION CONTAINED IN THIS DRAWING IS THE SOLE PROPERTY OF ACUCRAFT. ANY REPRODUCTION IN PART OR AS A WHOLE WITHOUT THE WRITTEN PERMISSION OF ACUCRAFT IS PROHIBITED.		 Acucraft Fireplace Systems 19672 172nd STREET Big Lake, MN 55309	
UNLESS OTHERWISE SPECIFIED ALL DIMENSIONS ARE IN INCHES		TITLE: <b>CIRCULAR 4</b>			
DRAWN BY: A.REDBERG	DATE: 12/11/2017	SIZE <b>B</b>	DWG. NO. 1765-A-001	REV <b>A</b>	SHEET 3 OF 4

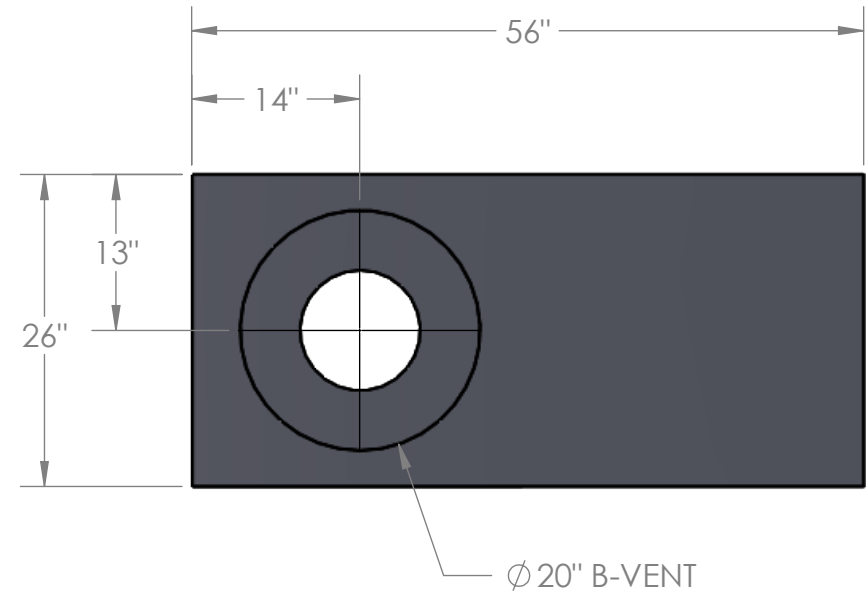
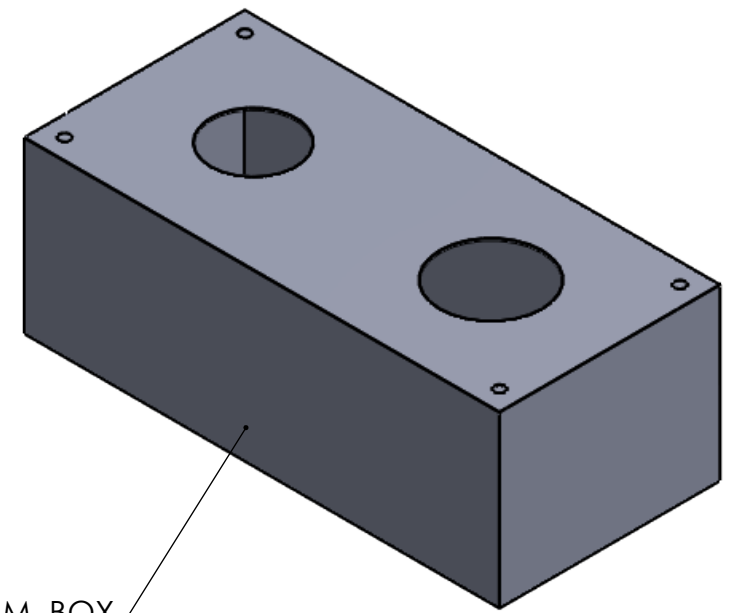
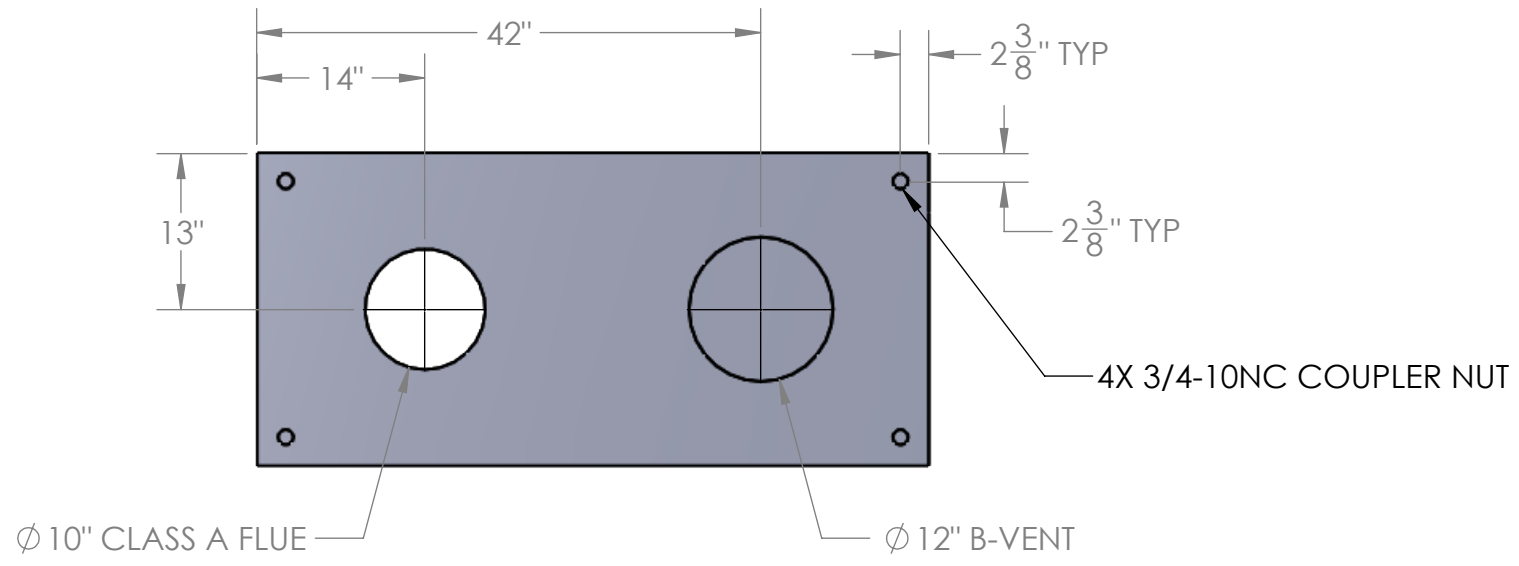
8 7 6 5 4 3 2 1

D

C

B

A




D

C

B

A

8 7 6 5 4 3 2 1

DO NOT SCALE DRAWING		<small>PROPRIETARY AND CONFIDENTIAL: THE INFORMATION CONTAINED IN THIS DRAWING IS THE SOLE PROPERTY OF ACUCRAFT. ANY REPRODUCTION IN PART OR AS A WHOLE WITHOUT THE WRITTEN PERMISSION OF ACUCRAFT IS PROHIBITED.</small>		 <b>Acucraft Fireplace Systems</b> 19672 172nd STREET Big Lake, MN 55309
<small>UNLESS OTHERWISE SPECIFIED ALL DIMENSIONS ARE IN INCHES</small>		<b>TITLE:</b> <b>CIRCULAR 4</b>		
<small>DRAWN BY:</small> A.REDBERG	<small>DATE:</small> 12/11/2017	<small>SIZE</small> <b>B</b>	<small>DWG. NO.</small> 1765-A-001	<small>REV</small> <b>A</b>
<small>MATERIAL:</small>				<small>SHEET</small> <b>4</b> <small>OF</small> <b>4</b>