

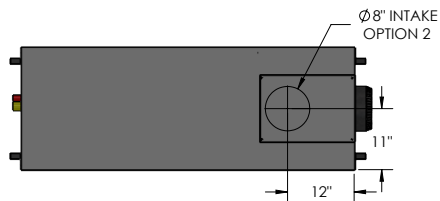
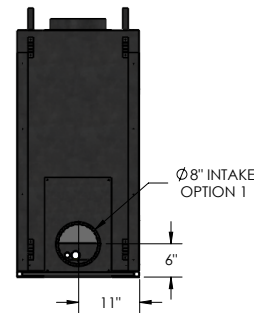
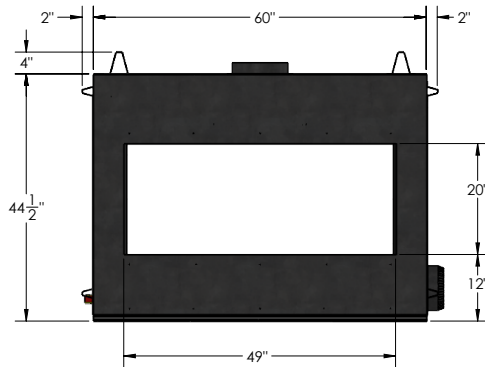
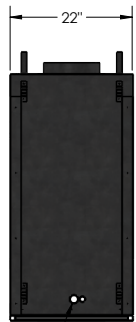
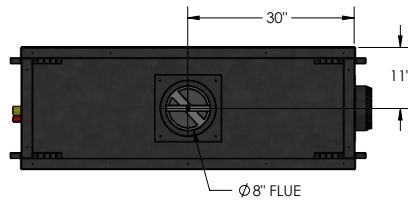


# ACUCRAFT FIREPLACE SPEC SHEET

MODEL: A-SS-4-ST  
 SERIES: Signature

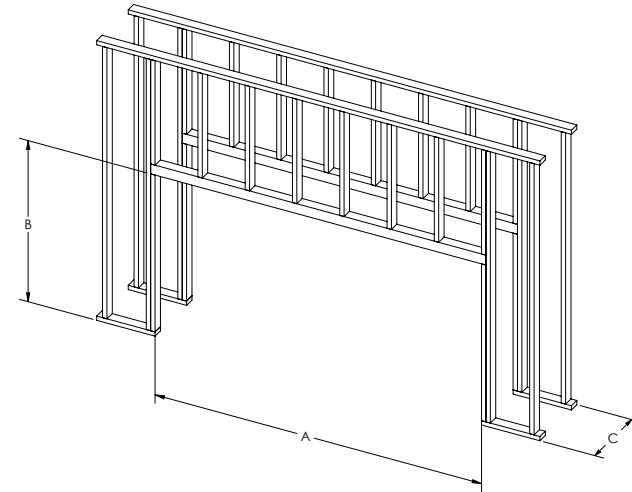
## DIMENSIONS

<b>Viewing Area:</b>	49"W x 20"H, Sealed or Open
<b>Dimensions:</b>	60"W x 44 1/2"H x 22"D



## FRAMING SPECIFICATIONS

A	B	C
64"	48 1/2"	22"



Acucraft Fireplaces  
 Big Lake, MN  
 Acucraft.com  
 888-317-6499  
 info@acucraft.com  
 ©2020 Acucraft Fireplaces



# ACUCRAFT FIREPLACE SPEC SHEET

MODEL: A-SS-4-ST  
SERIES: Signature

## DESCRIPTION

### Experience the Signature Series Difference.

The only open or sealed gas fireplaces on the market. With a Signature Series fireplace you will enjoy a frameless finish; the tallest, fullest flames available; and an open or sealed viewing area with our 10-Minute Conversion Kit options.

## FEATURES & BENEFITS

- Viewing: Sealed (with glass) or open (no glass)
- Tallest Flames on the Market
- 5-Year Warranty on Acucraft's Ignition System
- Lifetime Warranty on the Firebox
- Commercial Grade Components
- Rigorous Testing Including: Functionality, Safety, ANSI Z21.50 with Label
- Simple Installation with Intake Location Options
- No Unsightly Vents
- Popular Customization Options
- Worldwide Shipping Direct to Your Job Site
- Designed & Manufactured in Minnesota, USA

## SPECIFICATIONS

<b>Viewing Area:</b>	49"W x 20"H	<b>BTUs/Hour:</b>	60,000
<b>Fireplace Dimensions:</b>	60"W x 44 1/2"H x 22"D	<b>Combustion Air Intake:</b>	8"
<b>Burner Length:</b>	41"	<b>Type B Flue Size:</b>	8"
<b>Min. Inlet Pressure:</b>	7" W.C. NG, 11" W.C. LP	<b>Max. Inlet Pressure:</b>	14" W.C. NG, 14" W.C. LP
<b>Fuel Type:</b>	Natural Gas or Propane	<b>Controls:</b>	On/Off Switch
<b>Power Venting:</b>	Enervex RS12	<b>Electrical:</b>	110V AC

<b>Clearance to Combustibles:</b>	2" Sides, 4" Height, 2" Depth
<b>Testing Standards:</b>	ANSI Z21.50
<b>Media Options:</b>	1/4" or 1/2" glass media, rock options, log set
<b>Interior Options:</b>	Mesh, reflective panels, LED lighting
<b>Mantel Clearances:</b>	12" top of face/trim, 6" off sides of face/trim

Acucraft Fireplaces  
Big Lake, MN  
Acucraft.com  
888-317-6499  
info@acucraft.com  
©2020 Acucraft Fireplaces