



ACUCRAFT FIREPLACE SPEC SHEET

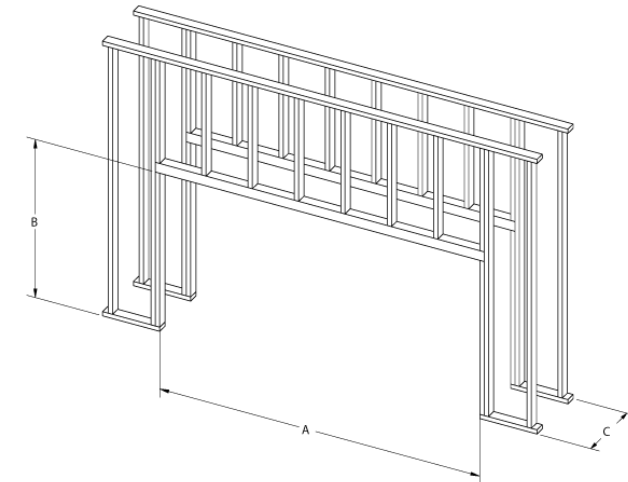
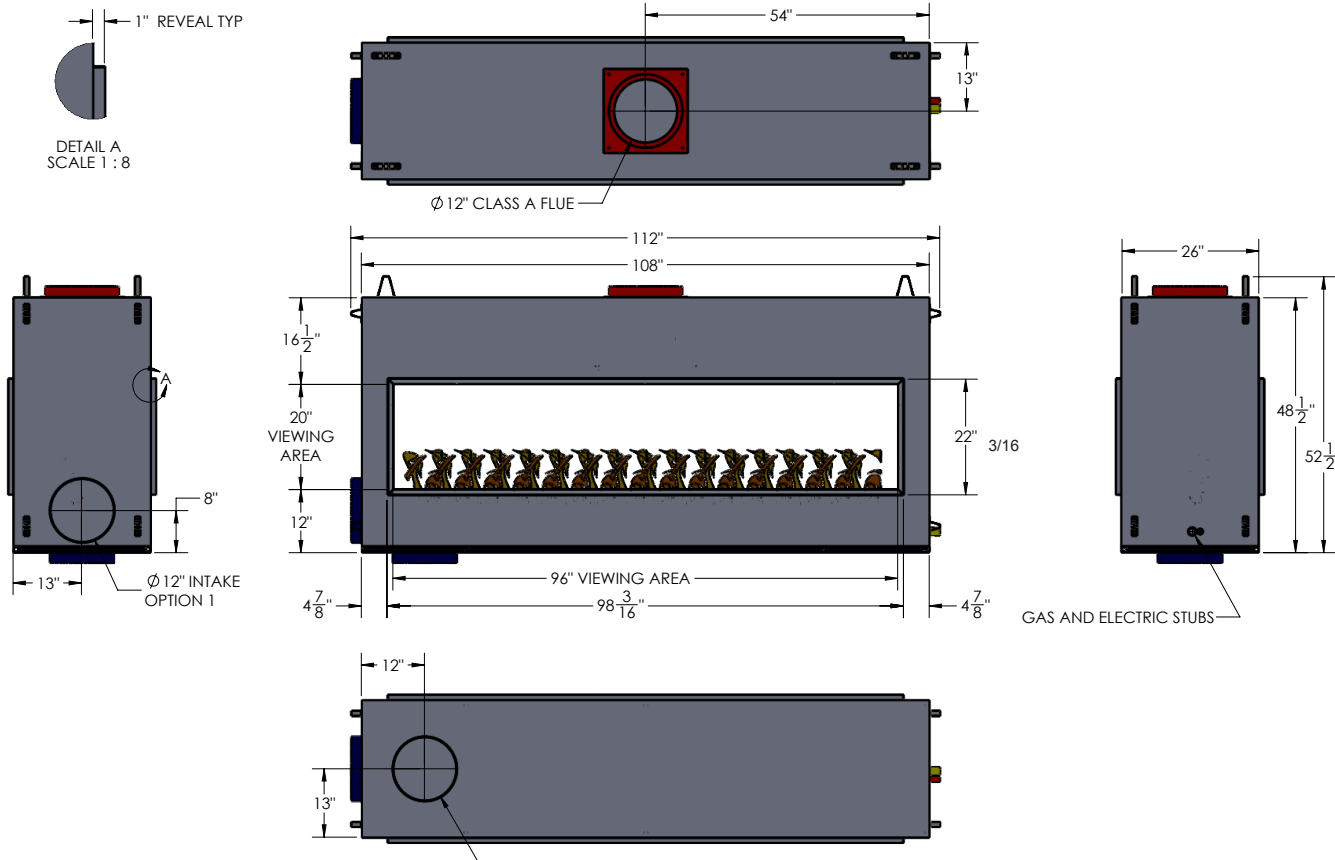
MODEL: A-SS-8-ST
 SERIES: Signature

DIMENSIONS

Viewing Area:	97"W x 20"H, Sealed or Open
Dimensions:	108"W x 48 1/2"H x 26"D

FRAMING SPECIFICATIONS

A	B	C
112"	52 1/2"	26"



Acucraft Fireplaces
 Big Lake, MN
 Acucraft.com
 888-317-6499
 info@acucraft.com
 ©2020 Acucraft Fireplaces



ACUCRAFT FIREPLACE SPEC SHEET

MODEL: A-SS-8-ST
SERIES: Signature

DESCRIPTION

Experience the Signature Series Difference.

The only open or sealed gas fireplaces on the market. With a Signature Series fireplace you will enjoy a frameless finish; the tallest, fullest flames available; and an open or sealed viewing area with our 10-Minute Conversion Kit options.

FEATURES & BENEFITS

- Viewing: Sealed (with glass) or open (no glass)
- Tallest Flames on the Market
- 5-Year Warranty on Acucraft's Ignition System
- Lifetime Warranty on the Firebox
- Commercial Grade Components
- Rigorous Testing Including: Functionality, Safety, ANSI Z21.50 with Label
- Simple Installation with Intake Location Options
- No Unsightly Vents
- Popular Customization Options
- Worldwide Shipping Direct to Your Job Site
- Designed & Manufactured in Minnesota, USA

SPECIFICATIONS

Viewing Area:	97"W x 20"H	BTUs/Hour:	125,000
Fireplace Dimensions:	108"W x 48 1/2"H x 26"D	Combustion Air Intake:	12"
Burner Length:	89"	Type B Flue Size:	12"
Min. Inlet Pressure:	7" W.C. NG, 11" W.C. LP	Max. Inlet Pressure:	14" W.C. NG, 14" W.C. LP
Fuel Type:	Natural Gas or Propane	Controls:	On/Off Switch
Power Venting:	Enervex RS12	Electrical:	110V AC

Clearance to Combustibles:	2" Sides, 4" Height, 2" Depth
Testing Standards:	ANSI Z21.50
Media Options:	1/4" or 1/2" glass media, rock options, log set
Interior Options:	Mesh, reflective panels, LED lighting
Mantel Clearances:	12" top of face/trim, 6" off sides of face/trim

Acucraft Fireplaces
Big Lake, MN
Acucraft.com
888-317-6499
info@acucraft.com
©2020 Acucraft Fireplaces