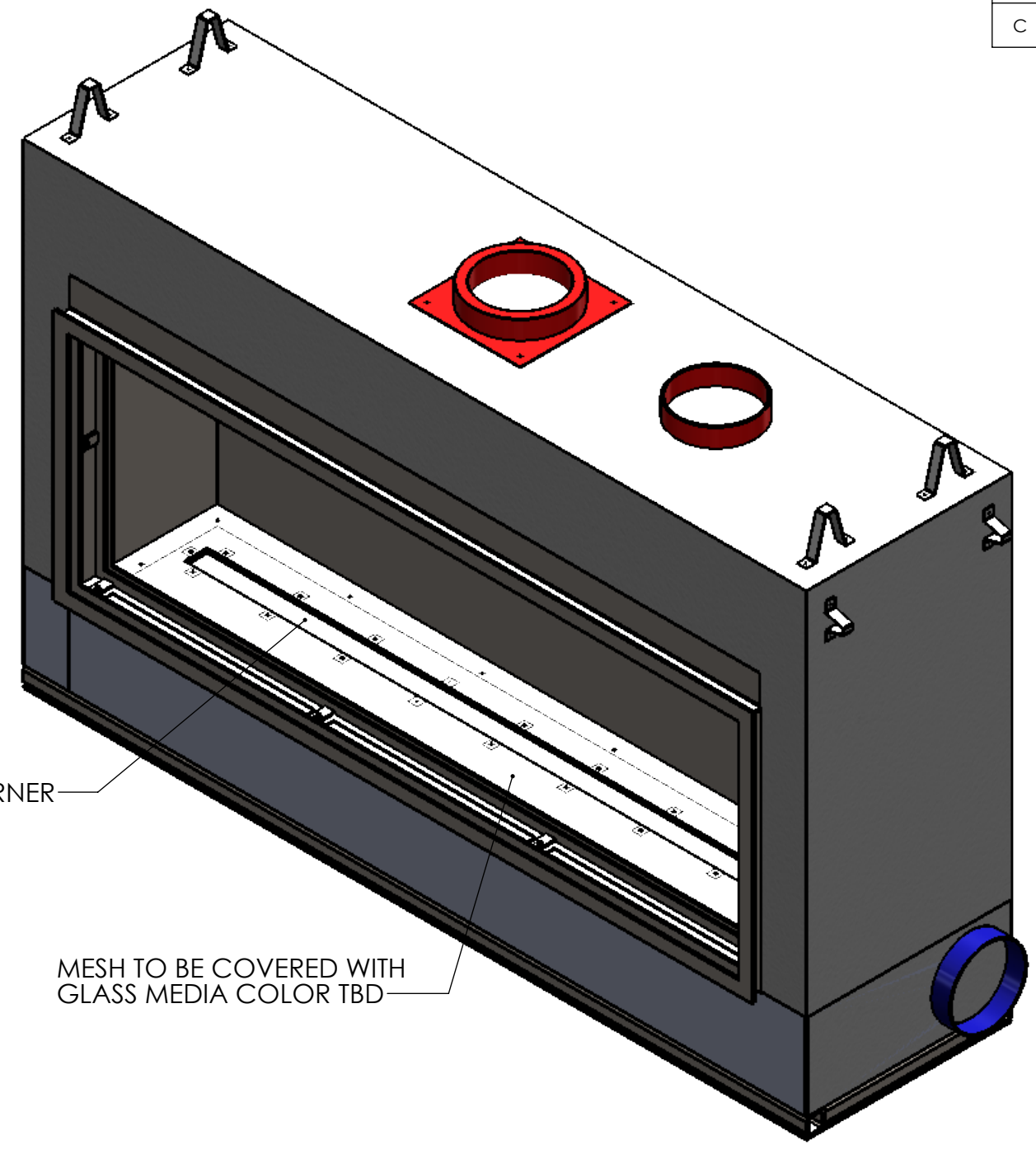


8 7 6 5 4 3 2 1

REVISIONS			
REV.	DESCRIPTION	ECO	DATE
A	INITIAL RELEASE	AR	5/15/17
B	REVISED STUB LOCATIONS	AR	5/25/17
C	REVISED MANIFOLDS STUB LOCATIONS AND GLASS FRAMES	AR	2/14/2018



66" BURNER

MESH TO BE COVERED WITH GLASS MEDIA COLOR TBD

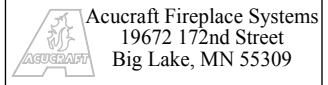
D
C
B
A

D
C
B
A

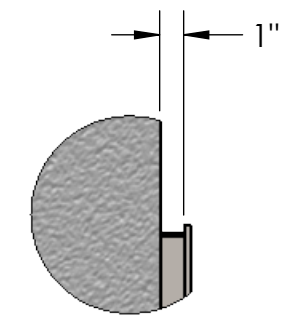
CHECKED BY: _____ CHECKED BY: _____

TOLERANCES UNLESS OTHERWISE SPECIFIED		DO NOT SCALE DRAWING		<small>PROPRIETARY AND CONFIDENTIAL: THE INFORMATION CONTAINED IN THIS DRAWING IS THE SOLE PROPERTY OF ACUCRAFT. ANY REPRODUCTION IN PART OR AS A WHOLE WITHOUT THE WRITTEN PERMISSION OF ACUCRAFT IS PROHIBITED.</small>	
PARTS TOLERANCES PLASMA CUT: +/- 1/32" SHEARED: +/- 1/32" MITERED: +/- 1° & 1/16" FORMED: +/- 1° & 1/16" SQUARE: +/- 1/32"		ASSEMBLY TOLERANCES CRITICAL DIMS: +/- 1/16" OVERALL WIDTH: +/- 1/8" - 3/16" OVERALL HEIGHT: +/- 1/8" - 3/16" MOUNTING POINTS: +/- 1/8" INTAKE LOCATIONS: +/- 3/16" EXHAUST LOCATIONS: +/- 3/16" SQUARE: +/- 1°		<small>UNLESS OTHERWISE SPECIFIED ALL DIMENSIONS ARE IN INCHES</small>	
DRAWN BY: A.REDBERG		DATE: 2/14/2018		TITLE: BLAZE 6 SS GC	
MATERIAL:		SIZE B	DWG. NO. 0742-03	REV C	SHEET 1 OF 2

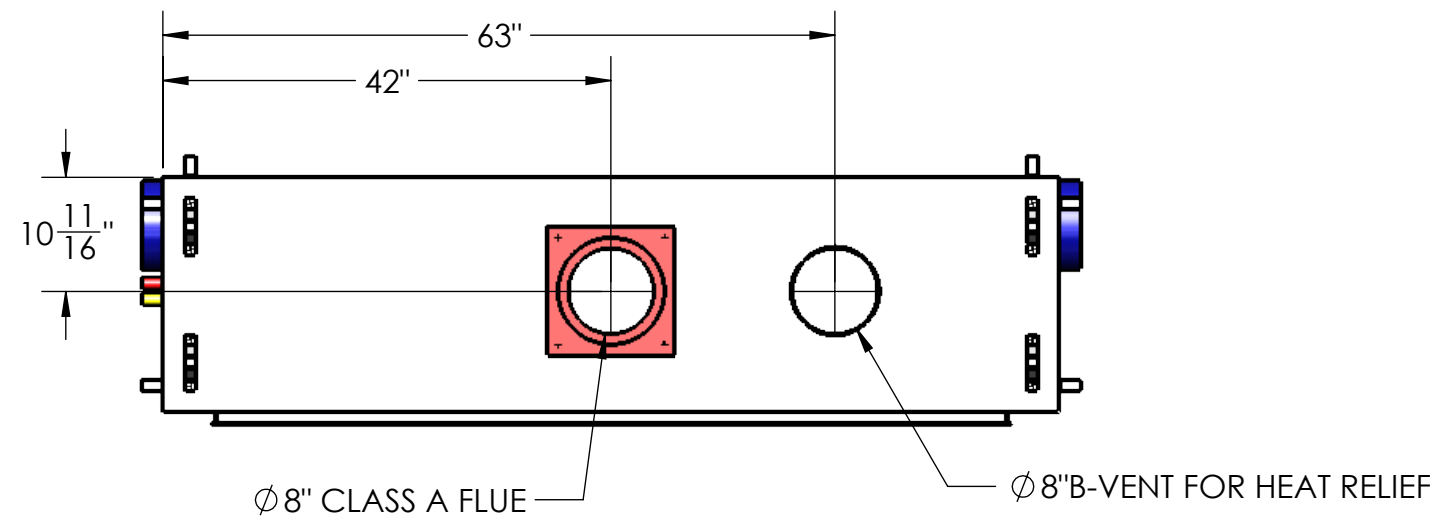
8 7 6 5 4 3 2 1



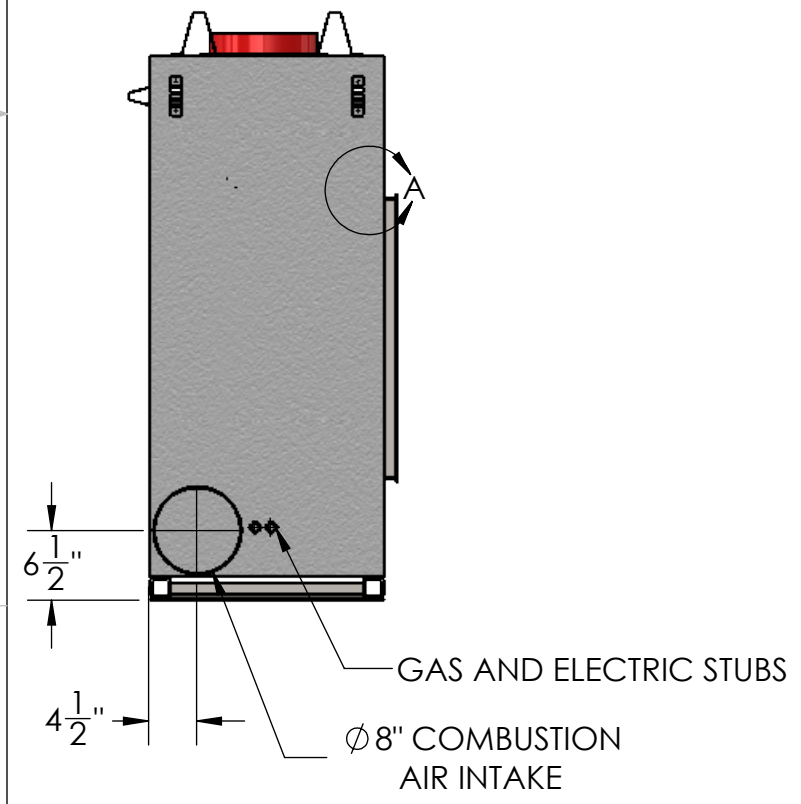
8 7 6 5 4 3 2 1



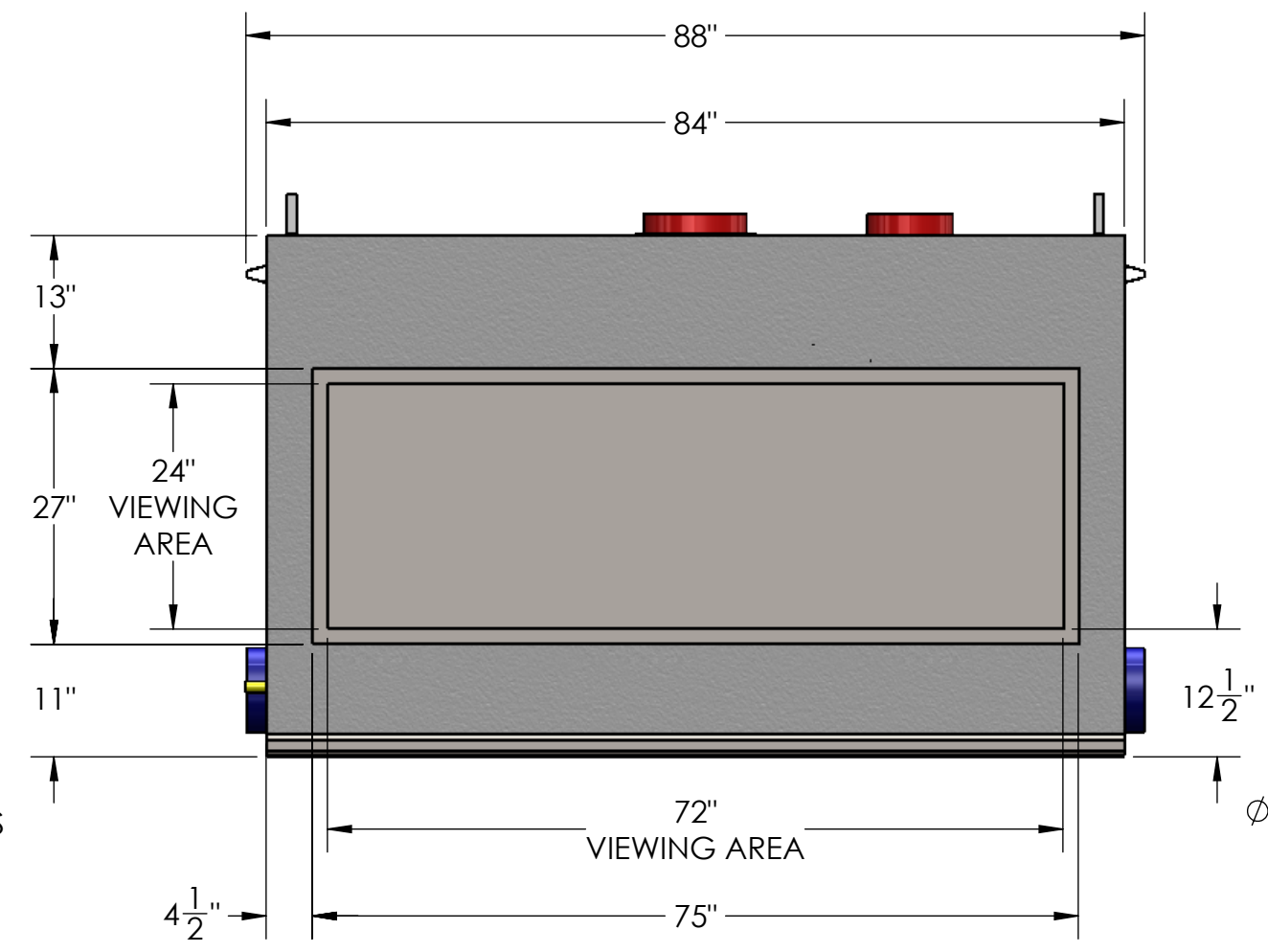
DETAIL A
SCALE 1 : 8



Ø 8" CLASS A FLUE Ø 8" B-VENT FOR HEAT RELIEF



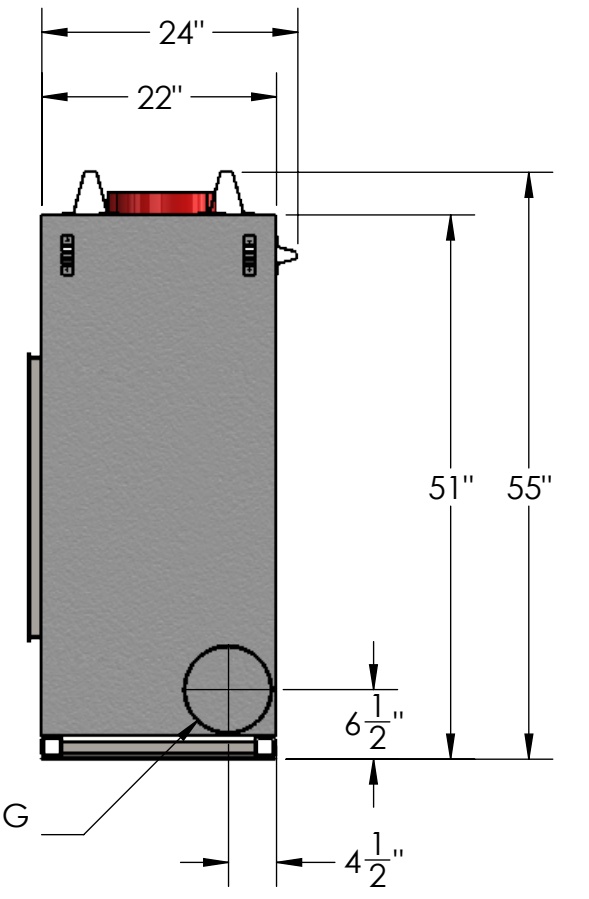
GAS AND ELECTRIC STUBS
Ø 8" COMBUSTION AIR INTAKE



24" VIEWING AREA

72" VIEWING AREA

Ø 8" GLASS COOLING INTAKE



51" 55"

CHECKED BY: _____

CHECKED BY: _____

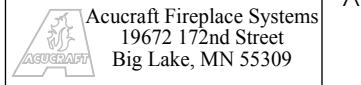
TOLERANCES UNLESS OTHERWISE SPECIFIED

PARTS TOLERANCES	ASSEMBLY TOLERANCES
PLASMA CUT: +/- 1/32"	CRITICAL DIMS: +/- 1/16"
SHEARED: +/- 1/32"	OVERALL WIDTH: +1/8" - 3/16"
MITERED: +/- 1° & 1/16"	OVERALL HEIGHT: +1/8" - 3/16"
FORMED: +/- 1° & 1/16"	MOUNTING POINTS: +/- 1/8"
SQUARE: +/- 1/32"	INTAKE LOCATIONS: +/- 3/16"
	EXHAUST LOCATIONS: +/- 3/16"
	SQUARE: +/- 1°

DO NOT SCALE DRAWING

UNLESS OTHERWISE SPECIFIED ALL DIMENSIONS ARE IN INCHES	
DRAWN BY: A. REDBERG	DATE: 2/14/2018
MATERIAL:	

PROPRIETARY AND CONFIDENTIAL: THE INFORMATION CONTAINED IN THIS DRAWING IS THE SOLE PROPERTY OF ACUCRAFT. ANY REPRODUCTION IN PART OR AS A WHOLE WITHOUT THE WRITTEN PERMISSION OF ACUCRAFT IS PROHIBITED.



TITLE: BLAZE 6 SS GC			
SIZE B	DWG. NO. 0742-03	REV C	SHEET 2 OF 2

8 7 6 5 4 3 2 1