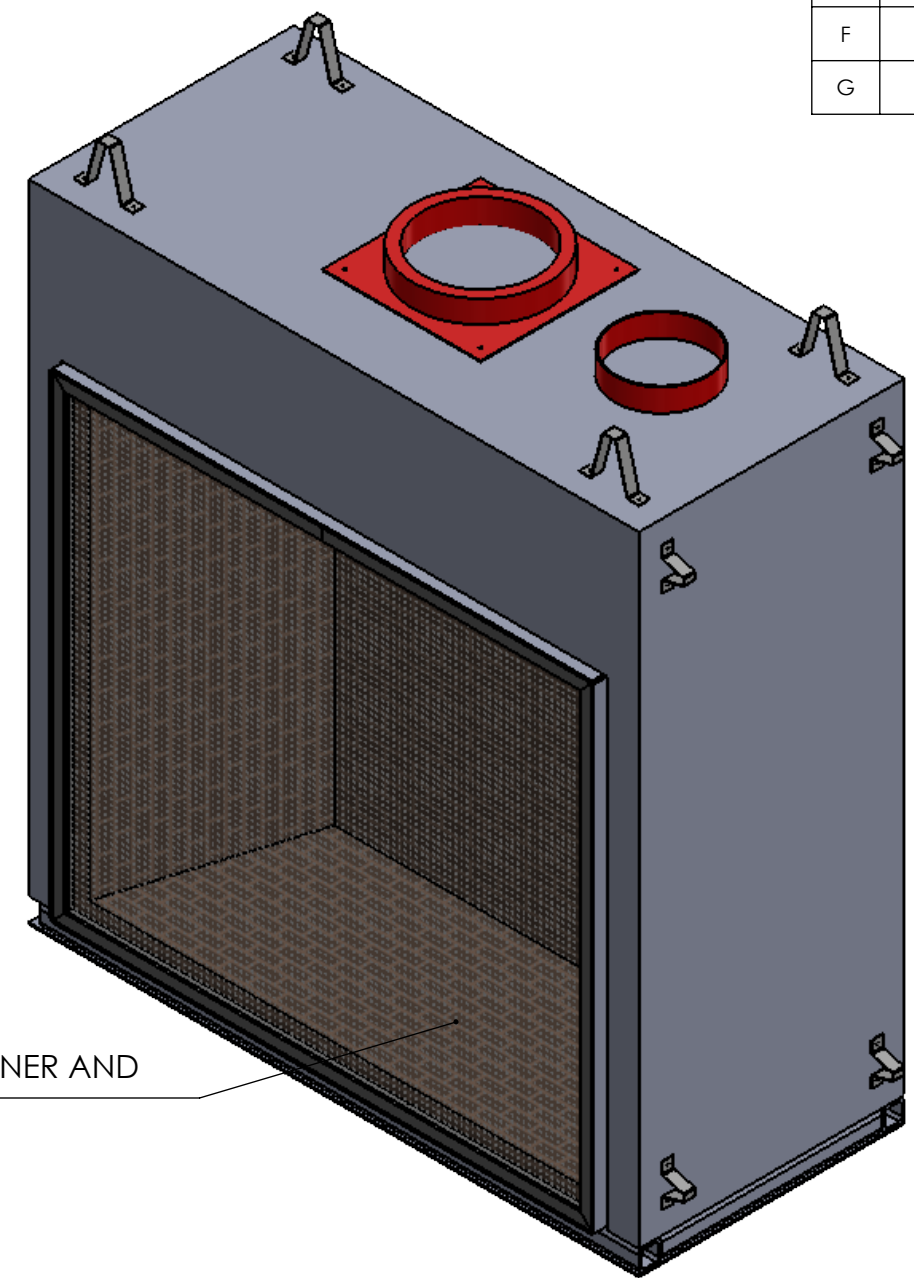


8 7 6 5 4 3 2 1

REVISIONS			
REV.	DESCRIPTION	ECO	DATE
A	INITIAL RELEASE	AR	11/15/2017
B	REVISED PER CUSTOMER MARK-UPS	AR	12/7/2017
C	REVISED PER CUSTOMER MARK-UPS	AR	12/14/2017
D	REVISED PER CUSTOMER MARK-UPS	RS	1/11/2018
E	VIEWING AREA MOVED DOWN	RS	1/15/2018
F	CHANGES MADE PER REDLINES RECIEVED 1/29/2018	RS	1/29/2018
G	BLOCKING REMOVED	RS	5/2/2018

D
C
B
A




TO RECEIVE 30" BURNER AND LOGSET STYLE (TBD)

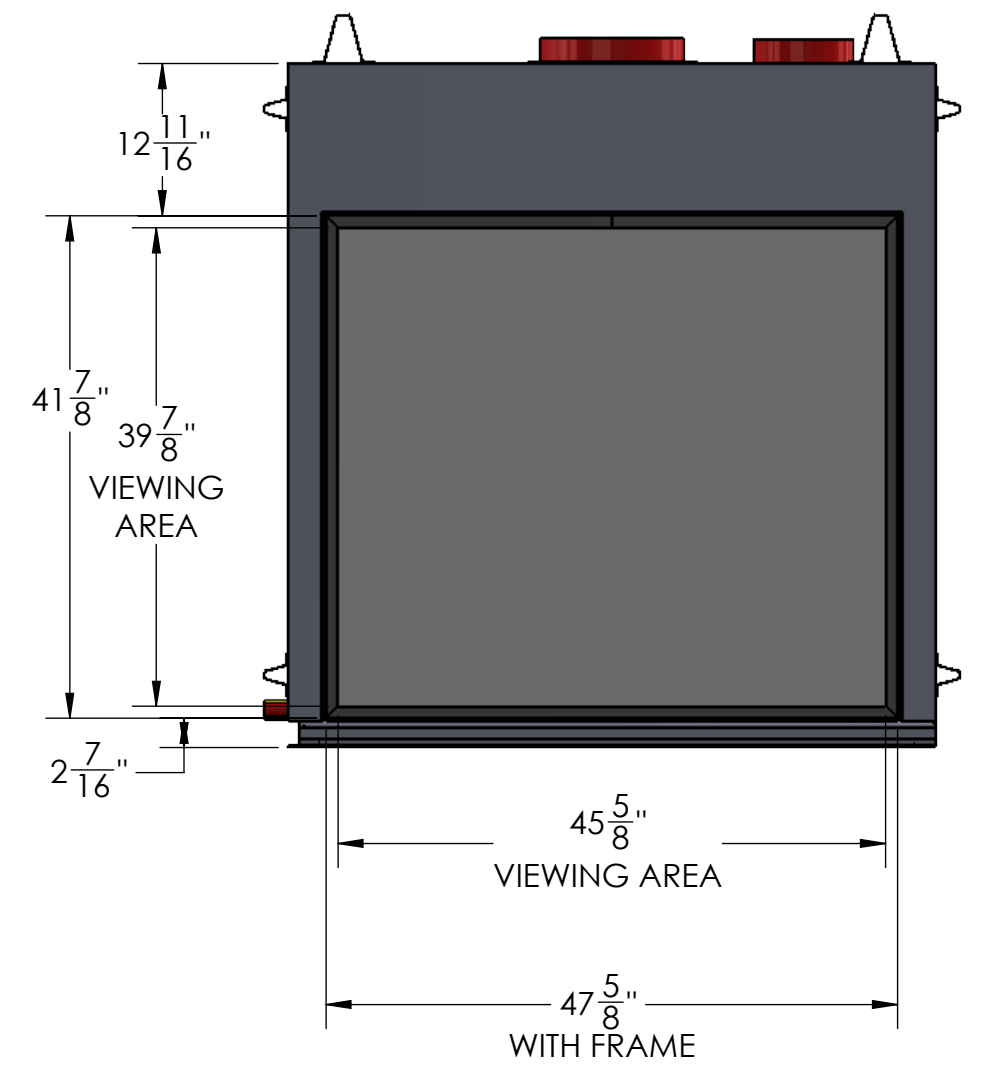
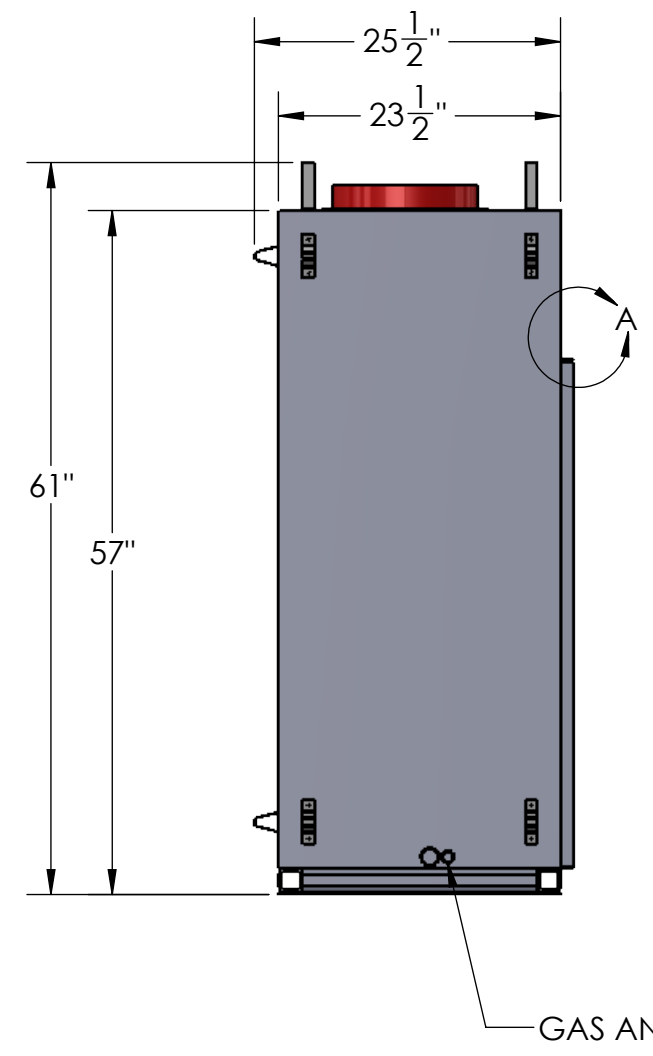
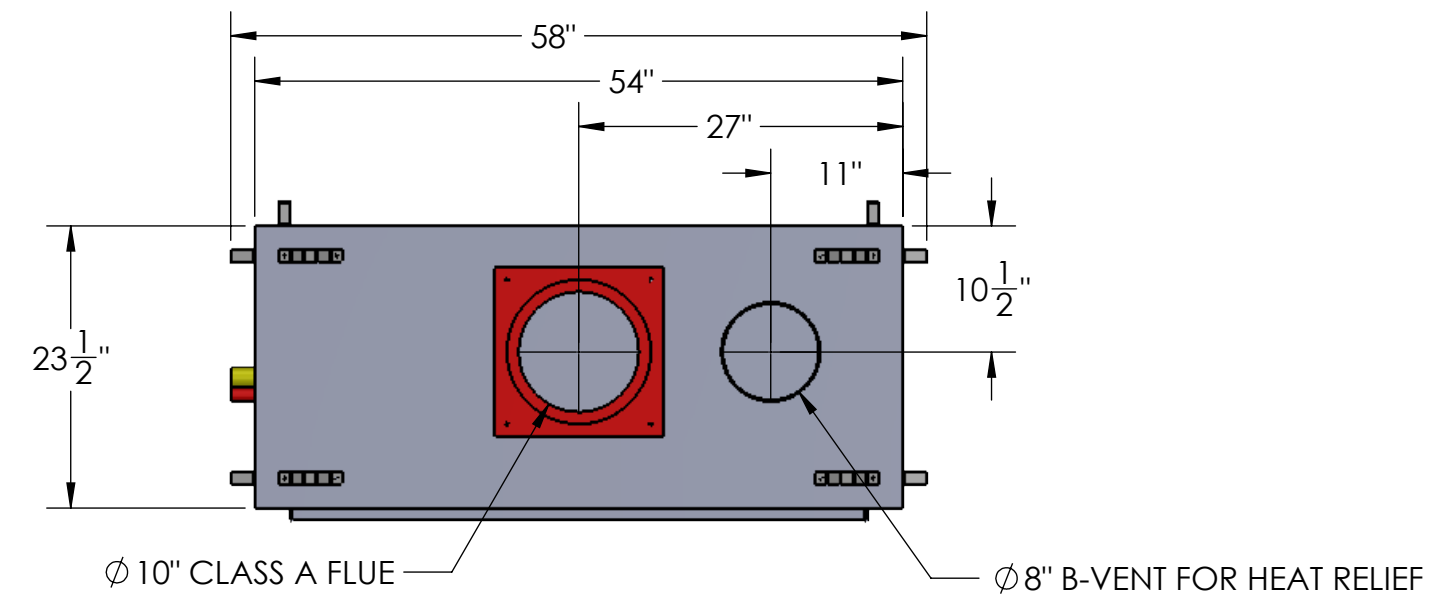
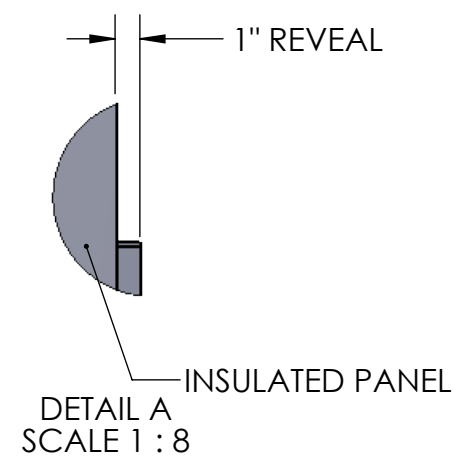
NOTES:

1. CLEARANCE TO COMBUSTIBLES TO BE 4" ON TOP AND 2" ON BACK AND SIDES
2. WEIGHT 1000LBS
3. BACK AND SIDE OF FIREBOX TO BE COVERED WITH HEAVY EXPANDED MESH
4. FRAME AND FIREBOX TO BE FINISHED MATTE BLACK
5. MAX 1200CFM

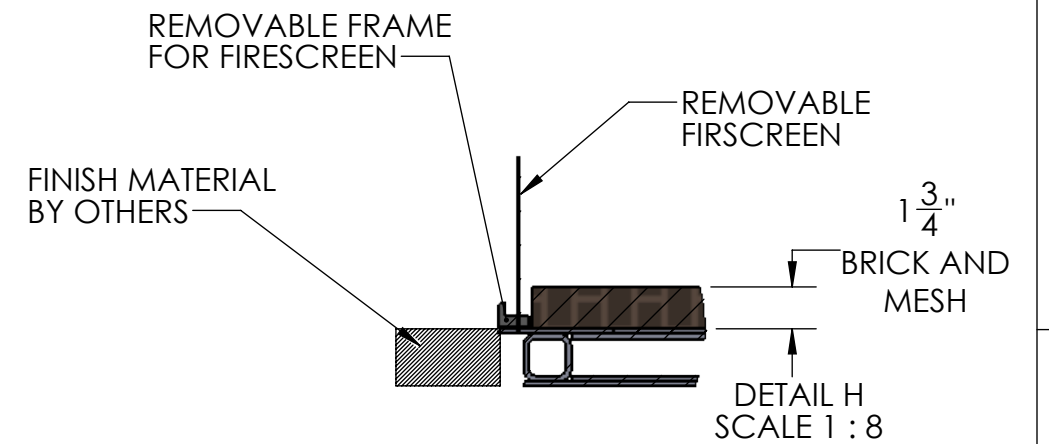
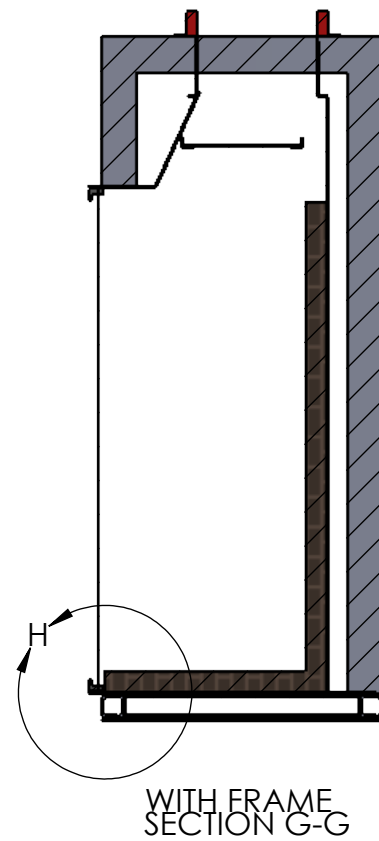
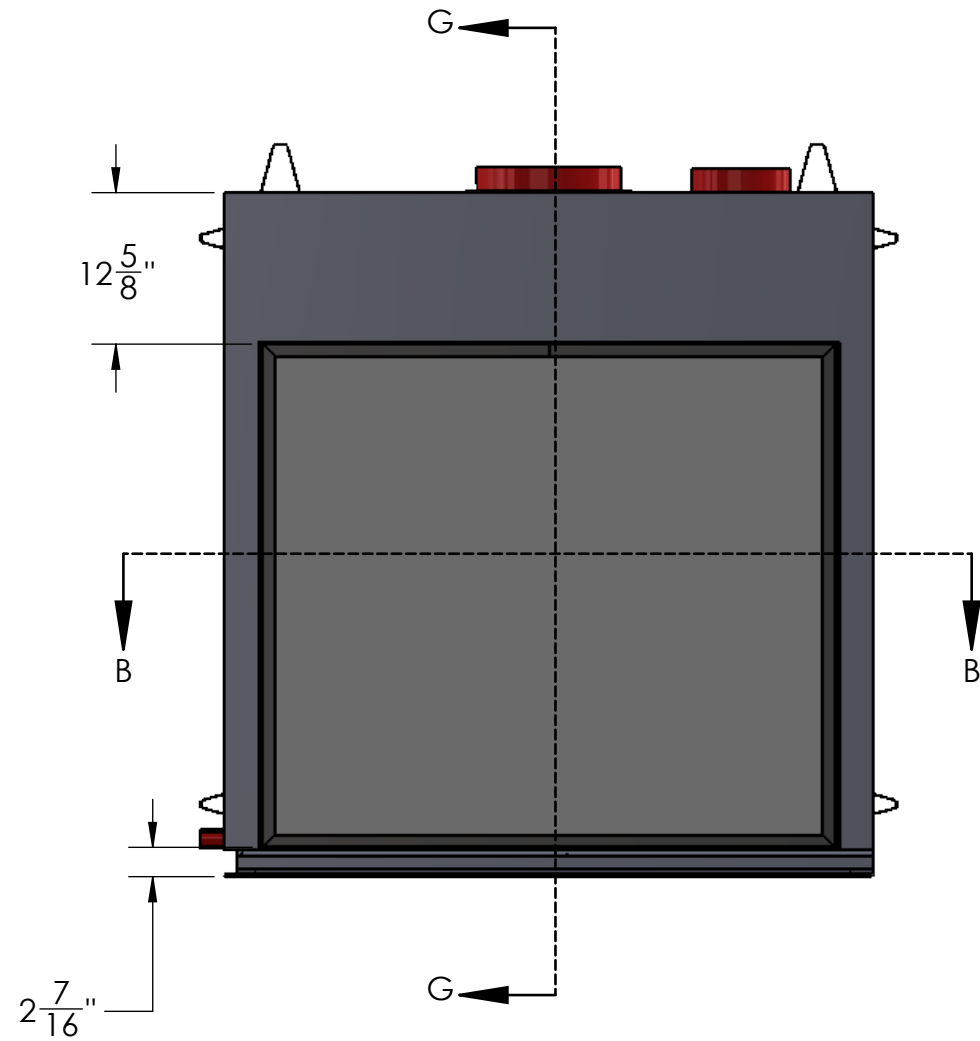
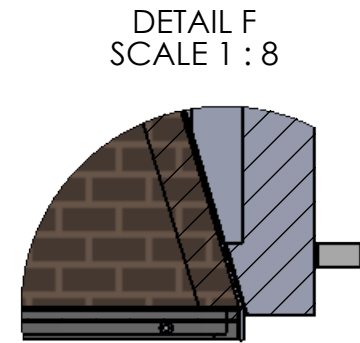
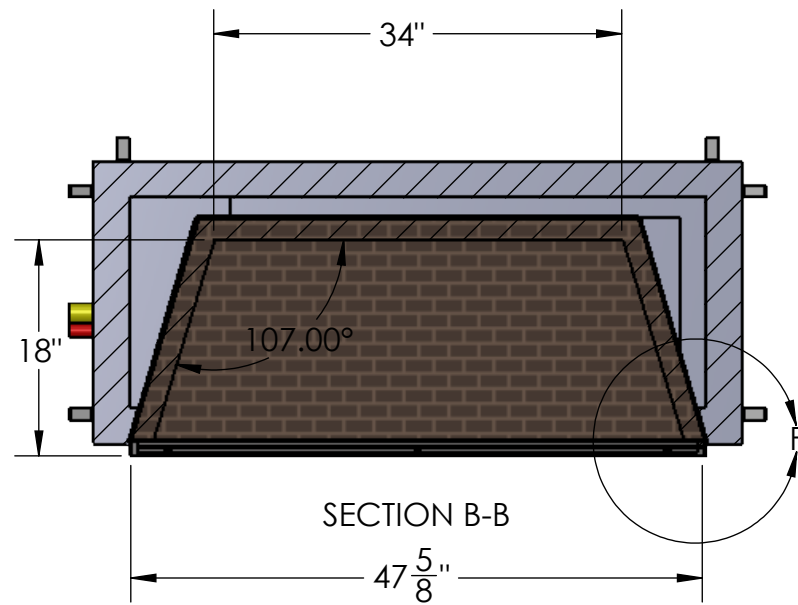
8 7 6 5 4 3 2 1


DO NOT SCALE DRAWING		<small>PROPRIETARY AND CONFIDENTIAL: THE INFORMATION CONTAINED IN THIS DRAWING IS THE SOLE PROPERTY OF ACUCRAFT. ANY REPRODUCTION IN PART OR AS A WHOLE WITHOUT THE WRITTEN PERMISSION OF ACUCRAFT IS PROHIBITED.</small>		 Acucraft Fireplace Systems 19672 172nd Street Big Lake, MN 55309
UNLESS OTHERWISE SPECIFIED ALL DIMENSIONS ARE IN INCHES		TITLE: CUSTOM LINEAR GAS PETER COSOLA INC - 6880		
DRAWN BY: R.SHEPHERD	DATE: 12/7/17	SIZE B	DWG. NO. 6880-A-007	REV G
MATERIAL:				SHEET 1 OF 3

D
C
B
A



DO NOT SCALE DRAWING		PROPRIETARY AND CONFIDENTIAL: THE INFORMATION CONTAINED IN THIS DRAWING IS THE SOLE PROPERTY OF ACUCRAFT. ANY REPRODUCTION IN PART OR AS A WHOLE WITHOUT THE WRITTEN PERMISSION OF ACUCRAFT IS PROHIBITED.		Acucraft Fireplace Systems 19672 172nd Street Big Lake, MN 55309
UNLESS OTHERWISE SPECIFIED ALL DIMENSIONS ARE IN INCHES		TITLE: CUSTOM LINEAR GAS PETER COSOLA INC - 6880		
DRAWN BY: R.SHEPHERD	DATE: 12/7/17	SIZE B	DWG. NO. 6880-A-007	REV G
MATERIAL:		SHEET 2 OF 3		



DO NOT SCALE DRAWING		PROPRIETARY AND CONFIDENTIAL: THE INFORMATION CONTAINED IN THIS DRAWING IS THE SOLE PROPERTY OF ACUCRAFT. ANY REPRODUCTION IN PART OR AS A WHOLE WITHOUT THE WRITTEN PERMISSION OF ACUCRAFT IS PROHIBITED.		 Acucraft Fireplace Systems 19672 172nd Street Big Lake, MN 55309
UNLESS OTHERWISE SPECIFIED ALL DIMENSIONS ARE IN INCHES		TITLE: CUSTOM LINEAR GAS PETER COSOLA INC - 6880		
DRAWN BY: R.SHEPHERD	DATE: 12/7/17	SIZE B	DWG. NO. 6880-A-007	REV G
MATERIAL:				SHEET 3 OF 3