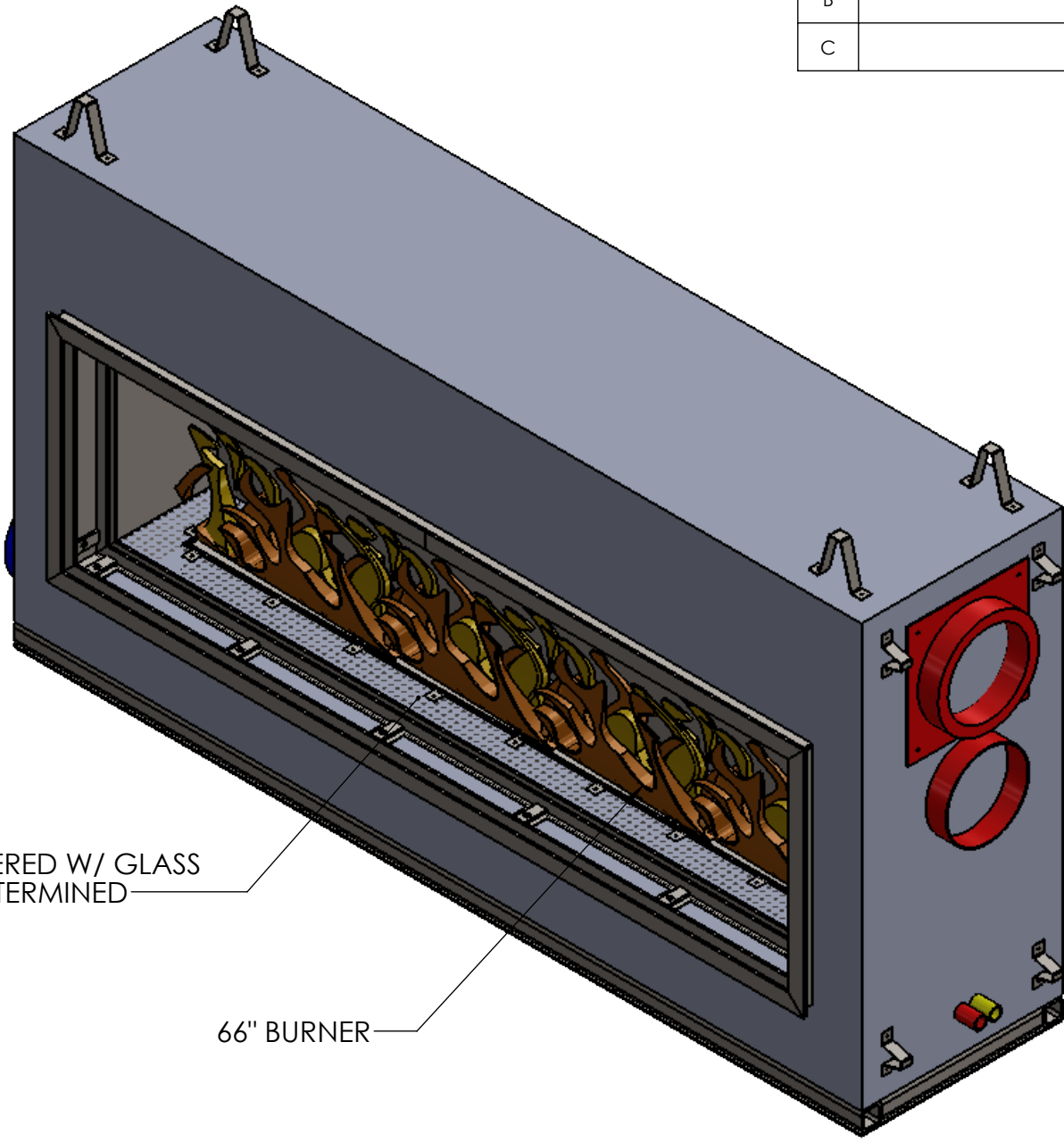


8 7 6 5 4 3 2 1

| REVISIONS | | | |
|-----------|--------------------------|-----|------------|
| REV. | DESCRIPTION | ECO | DATE |
| A | INITIAL RELEASE | AR | 12/12/2017 |
| B | DECREASED HEIGHT BY 4" | AR | 12/13/2017 |
| C | SWAPPED INTAKE LOCATIONS | AR | 12/15/2017 |


D
C
B
A



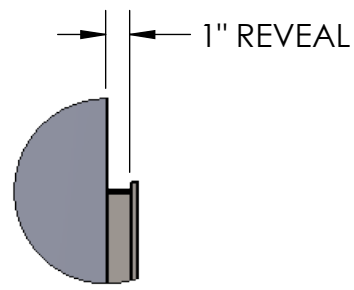
MEDIA TRAY TO BE COVERED W/ GLASS
MEDIA COLOR TO BE DETERMINED

66" BURNER

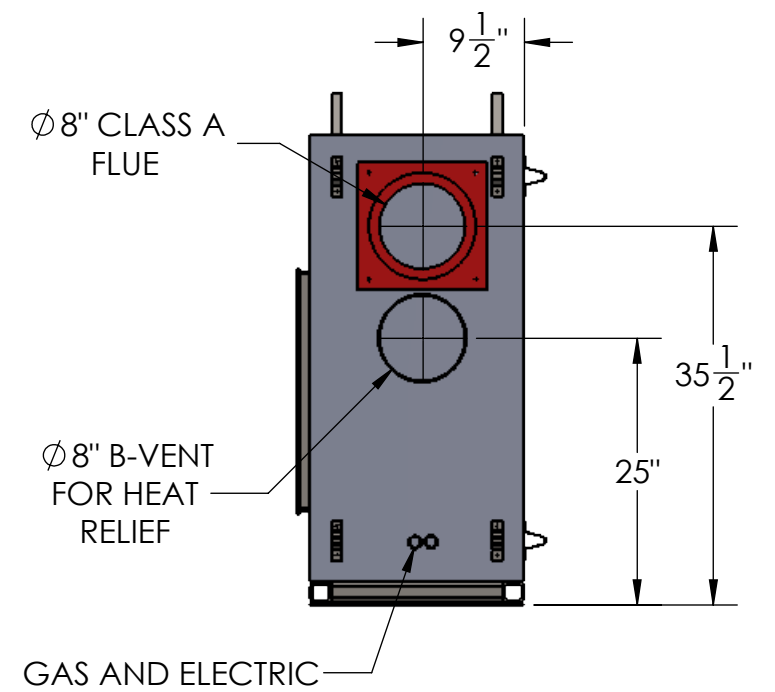
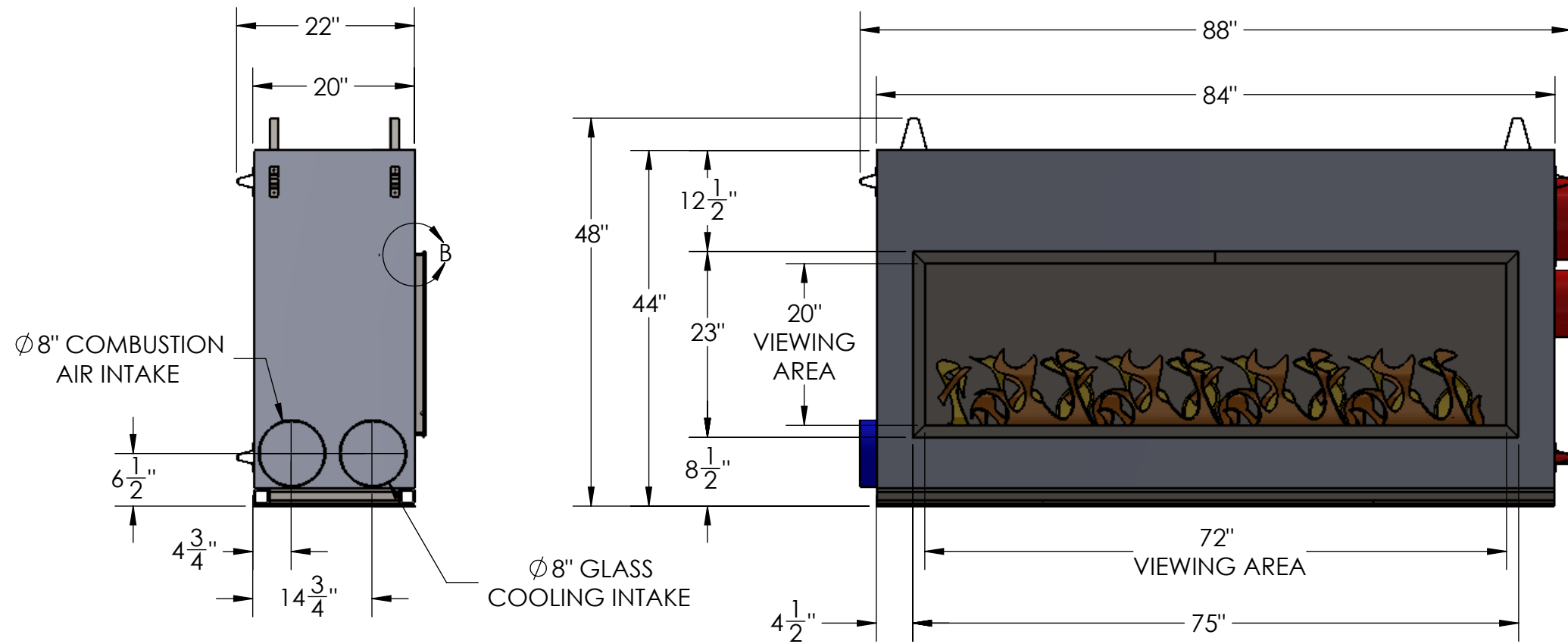
- NOTES:
1. ALL OVERALL DIMENSIONS +/- 1/4"
 2. CLEARANCE TO COMBUSTIBLES TO BE 4" ON TOP AND 2" ON BACK AND SIDES
 3. FRAME AND FIREBOX TO BE FINISHED MATTE BLACK
 4. APPROXIMATE BTUS: 82,500
 5. GAS TYPE: NATURAL GAS


| | | | | |
|---|---------------------|---|------------------------|--|
| DO NOT SCALE DRAWING | | <small>PROPRIETARY AND CONFIDENTIAL: THE INFORMATION CONTAINED IN THIS DRAWING IS THE SOLE PROPERTY OF ACUCRAFT. ANY REPRODUCTION IN PART OR AS A WHOLE WITHOUT THE WRITTEN PERMISSION OF ACUCRAFT IS PROHIBITED.</small> | |  Acucraft Fireplace Systems 19672 172nd Street Big Lake, MN 55309 |
| UNLESS OTHERWISE SPECIFIED ALL DIMENSIONS ARE IN INCHES | | TITLE: CUSTOM LINEAR GAS NEDBO CONST. KJESBO - 7084 | | |
| DRAWN BY: A.REDBERG | DATE: 12/12/2017 | SIZE B | DWG. NO. 7084-A-003 | REV C |
| MATERIAL: | | | | SHEET 1 OF 2 |

8 7 6 5 4 3 2 1



DETAIL B
SCALE 1 : 8



| | | | | |
|---|---------------------|---|------------------------|--|
| DO NOT SCALE DRAWING | | PROPRIETARY AND CONFIDENTIAL: THE INFORMATION CONTAINED IN THIS DRAWING IS THE SOLE PROPERTY OF ACUCRAFT. ANY REPRODUCTION IN PART OR AS A WHOLE WITHOUT THE WRITTEN PERMISSION OF ACUCRAFT IS PROHIBITED. | |  Acucraft Fireplace Systems 19672 172nd Street Big Lake, MN 55309 |
| UNLESS OTHERWISE SPECIFIED ALL DIMENSIONS ARE IN INCHES | | TITLE: CUSTOM LINEAR GAS NEDBO CONST. KJESBO - 7084 | | |
| DRAWN BY: A.REDBERG | DATE: 12/12/2017 | SIZE B | DWG. NO. 7084-A-003 | REV C |
| MATERIAL: | | | | SHEET 2 OF 2 |