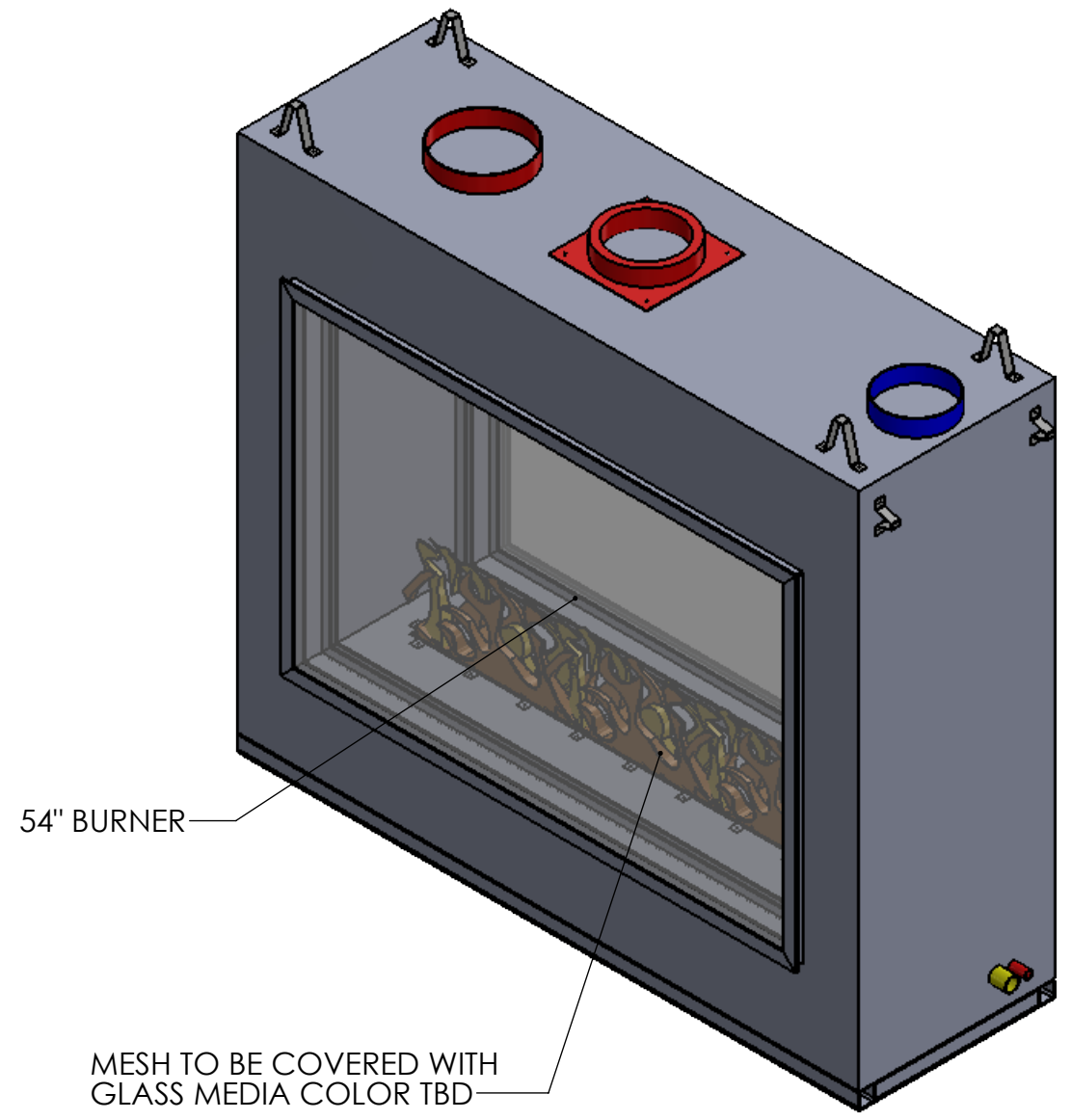


8 7 6 5 4 3 2 1


REVISIONS			
REV.	DESCRIPTION	ECO	DATE
A	INITIAL RELEASE	AR	1/18/2018

D
C
B
A

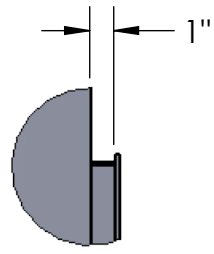
D
C
B
A



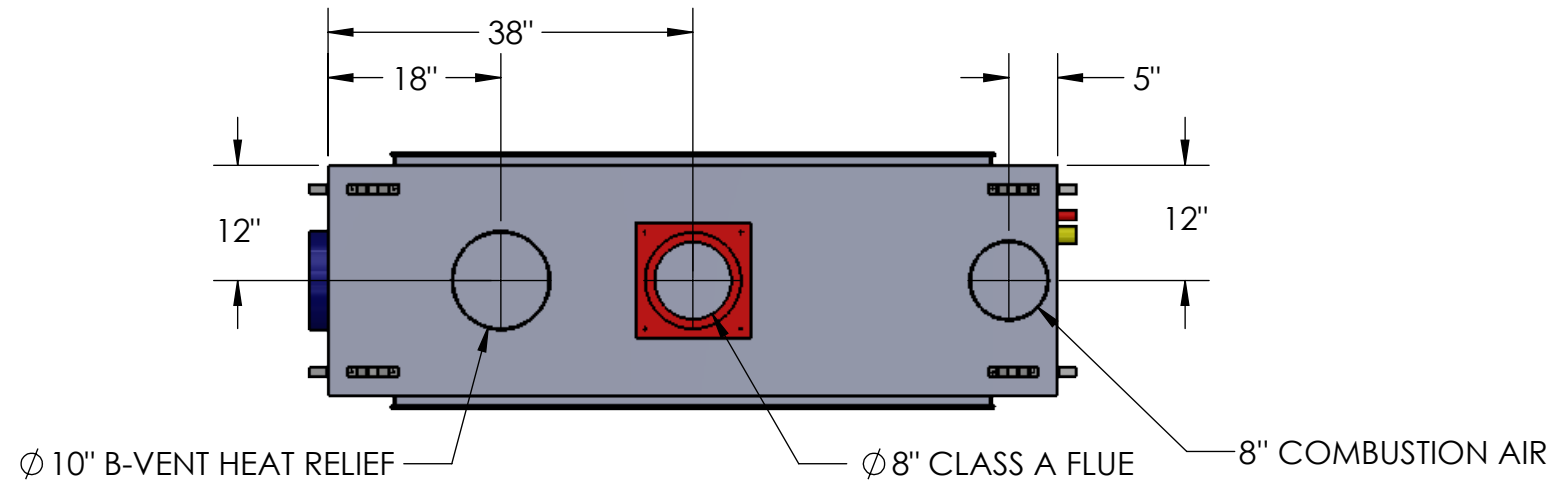
- NOTES:
1. ALL OVERALL DIMENSIONS +/- 1/4"
 2. CLEARANCE TO COMBUSTIBLES TO BE 4" ON TOP AND 2" ON BACK AND SIDES
 3. FRAME AND FIREBOX TO BE FINISHED MATTE BLACK
 4. APPROXIMATE BTUS: 67,500
 5. GAS TYPE: NATURAL GAS

DO NOT SCALE DRAWING		<small>PROPRIETARY AND CONFIDENTIAL: THE INFORMATION CONTAINED IN THIS DRAWING IS THE SOLE PROPERTY OF ACUCRAFT. ANY REPRODUCTION IN PART OR AS A WHOLE WITHOUT THE WRITTEN PERMISSION OF ACUCRAFT IS PROHIBITED.</small>		 Acucraft Fireplace Systems 19672 172nd Street Big Lake, MN 55309
<small>UNLESS OTHERWISE SPECIFIED ALL DIMENSIONS ARE IN INCHES</small>		TITLE: CUSTOM SEE-THRU GAS CHOATE CONSTRUCTION - 7189		
<small>DRAWN BY:</small> A.REDBERG	<small>DATE:</small> 1/18/18	<small>SIZE</small> B	<small>DWG. NO.</small> 7189-A-001	<small>REV</small> A
<small>MATERIAL:</small>		<small>SHEET</small> 1		<small>OF</small> 2

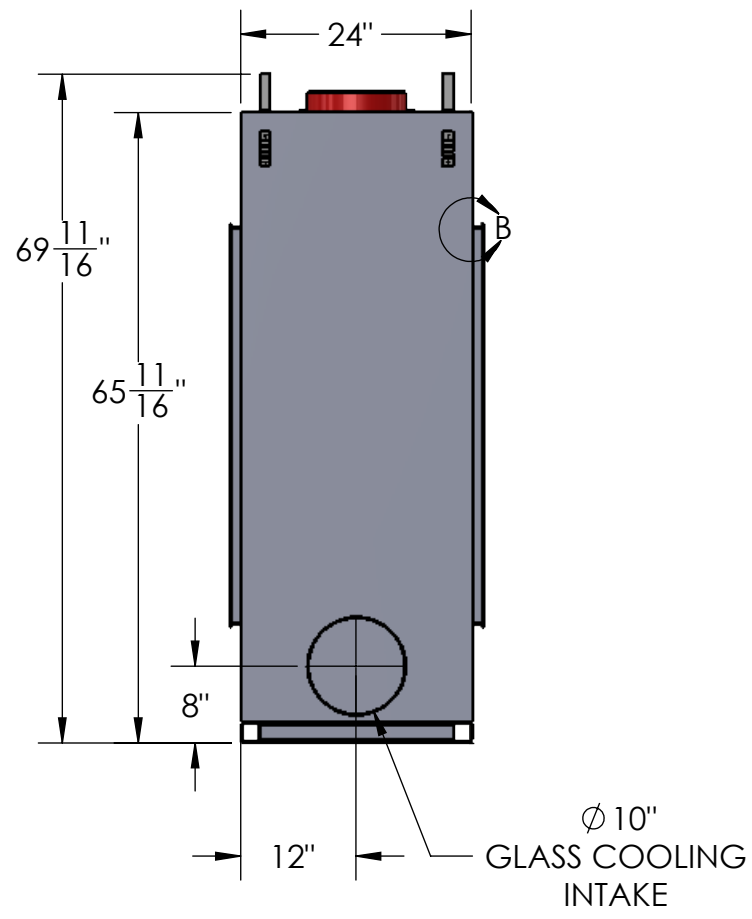
8 7 6 5 4 3 2 1



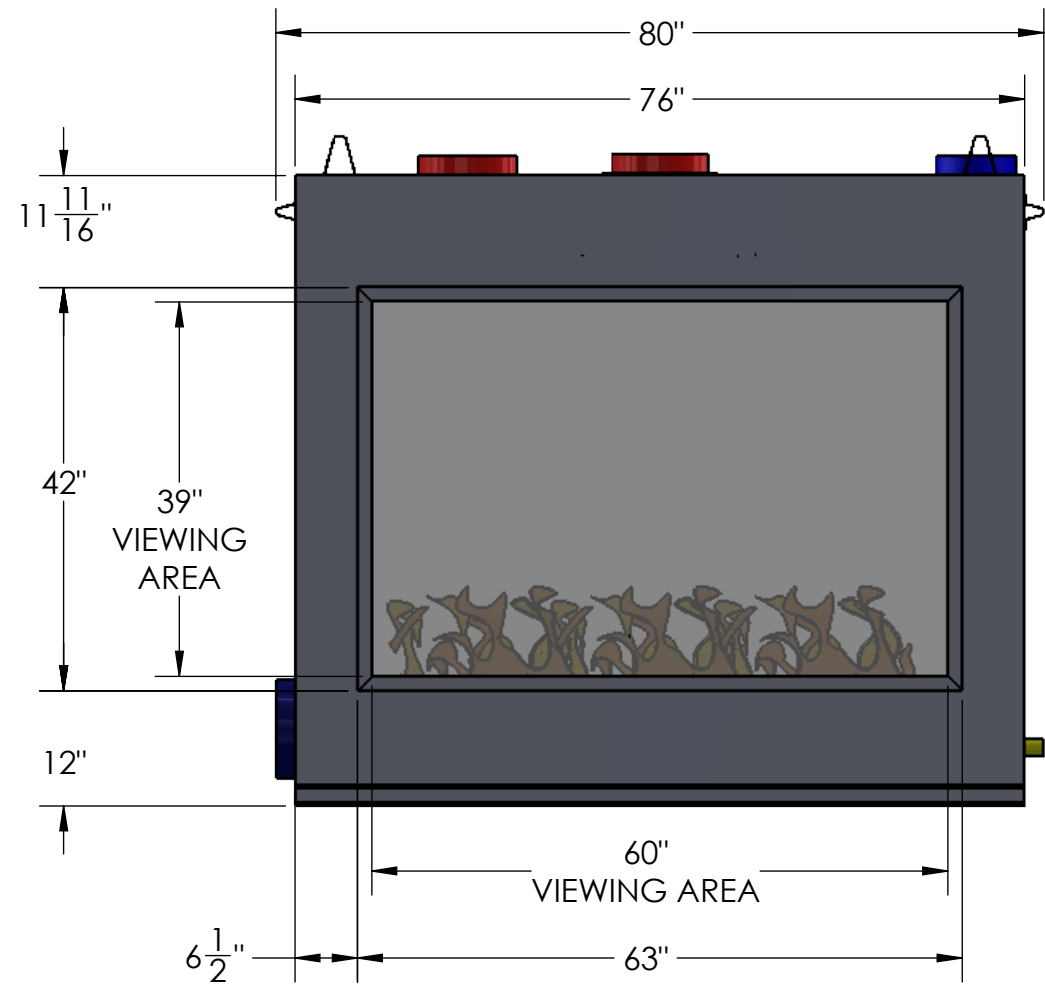
DETAIL B
SCALE 1 : 8



Ø 10" B-VENT HEAT RELIEF Ø 8" CLASS A FLUE 8" COMBUSTION AIR

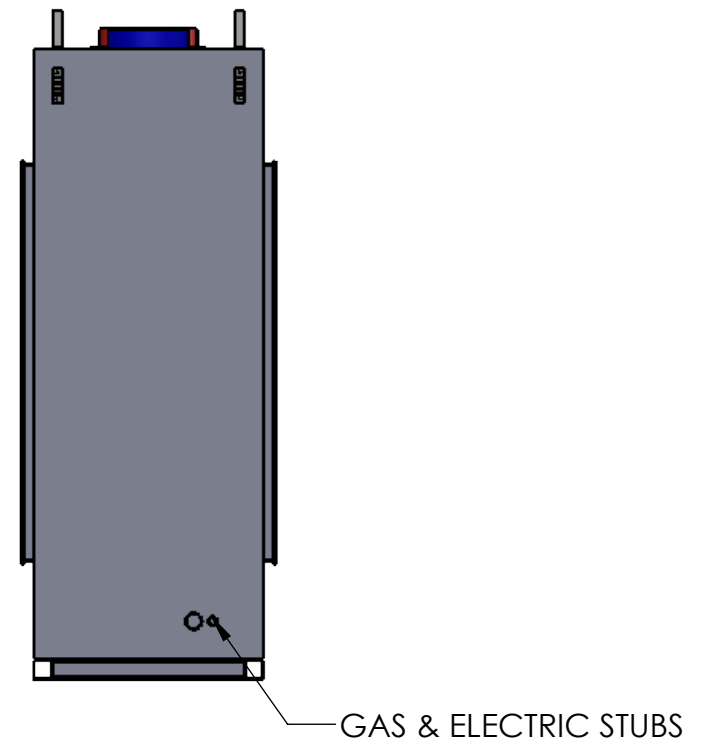


Ø 10" GLASS COOLING INTAKE




39" VIEWING AREA

60" VIEWING AREA



GAS & ELECTRIC STUBS

DO NOT SCALE DRAWING		PROPRIETARY AND CONFIDENTIAL: THE INFORMATION CONTAINED IN THIS DRAWING IS THE SOLE PROPERTY OF ACUCRAFT. ANY REPRODUCTION IN PART OR AS A WHOLE WITHOUT THE WRITTEN PERMISSION OF ACUCRAFT IS PROHIBITED.		 Acucraft Fireplace Systems 19672 172nd Street Big Lake, MN 55309
UNLESS OTHERWISE SPECIFIED ALL DIMENSIONS ARE IN INCHES		TITLE: CUSTOM SEE-THRU GAS CHOATE CONSTRUCTION - 7189		
DRAWN BY: A.REDBERG	DATE: 1/18/18	SIZE B	DWG. NO. 7189-A-001	REV A
MATERIAL:				SHEET 2 OF 2