


31" BURNER

MESH TO BE COVERED WITH
GLASS MEDIA COLOR TBD

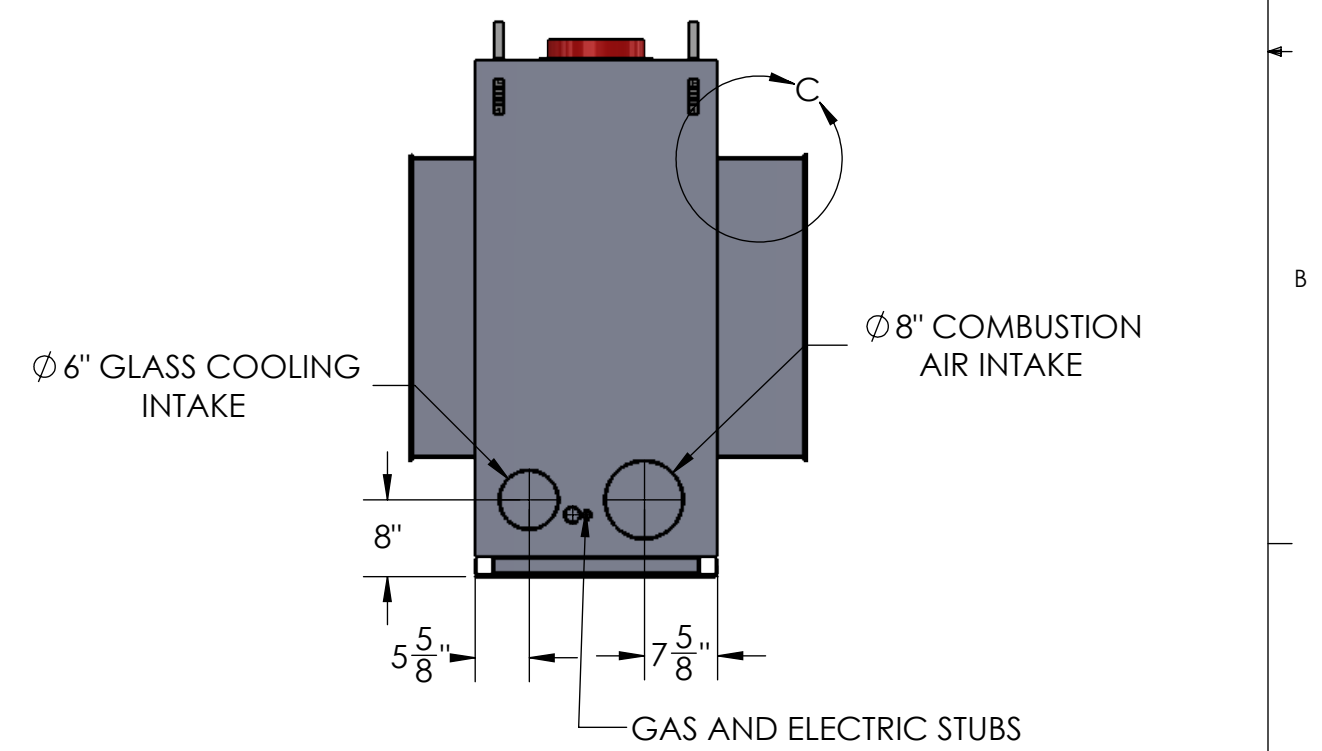
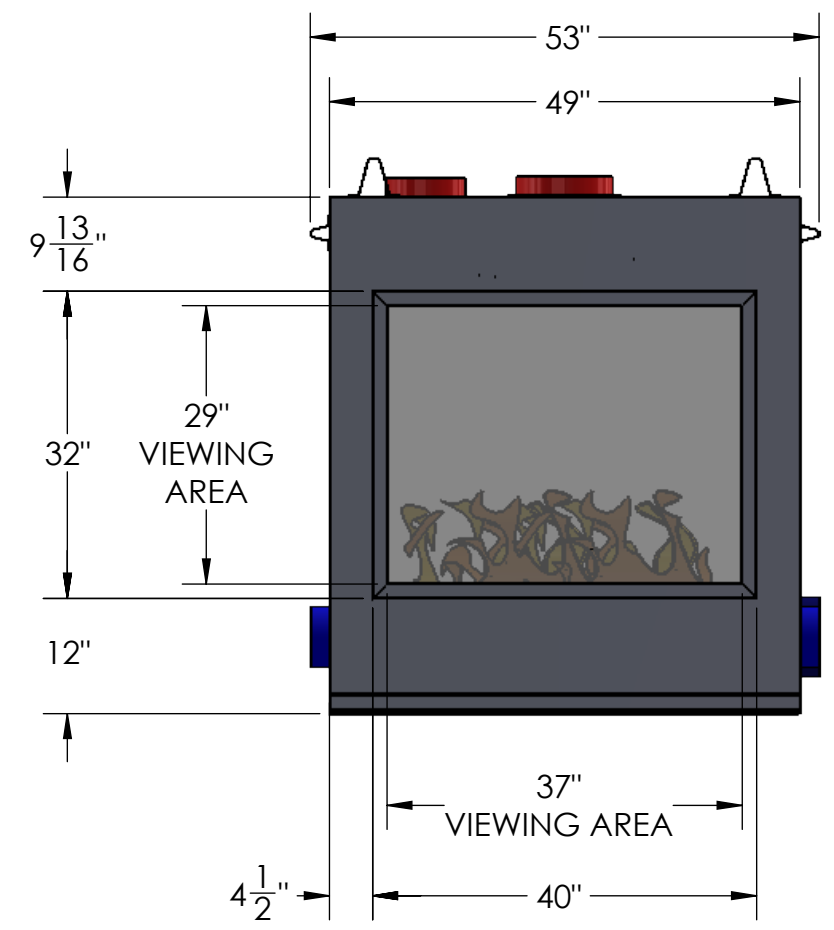
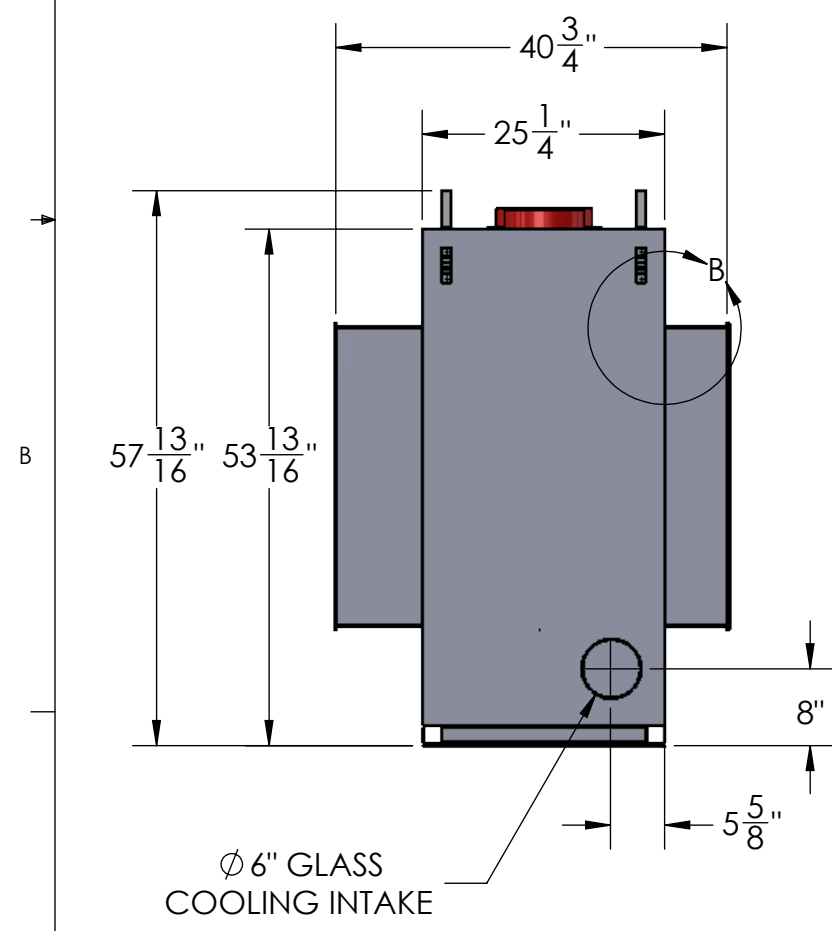
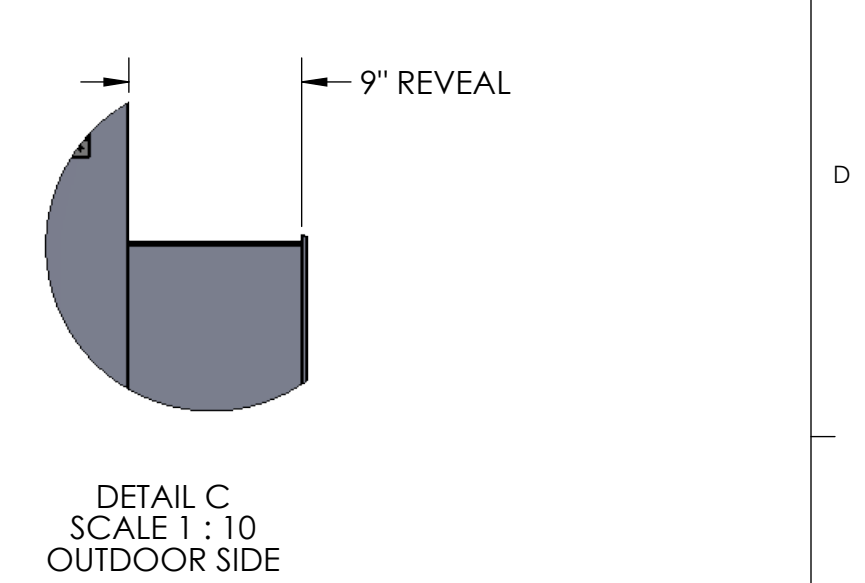
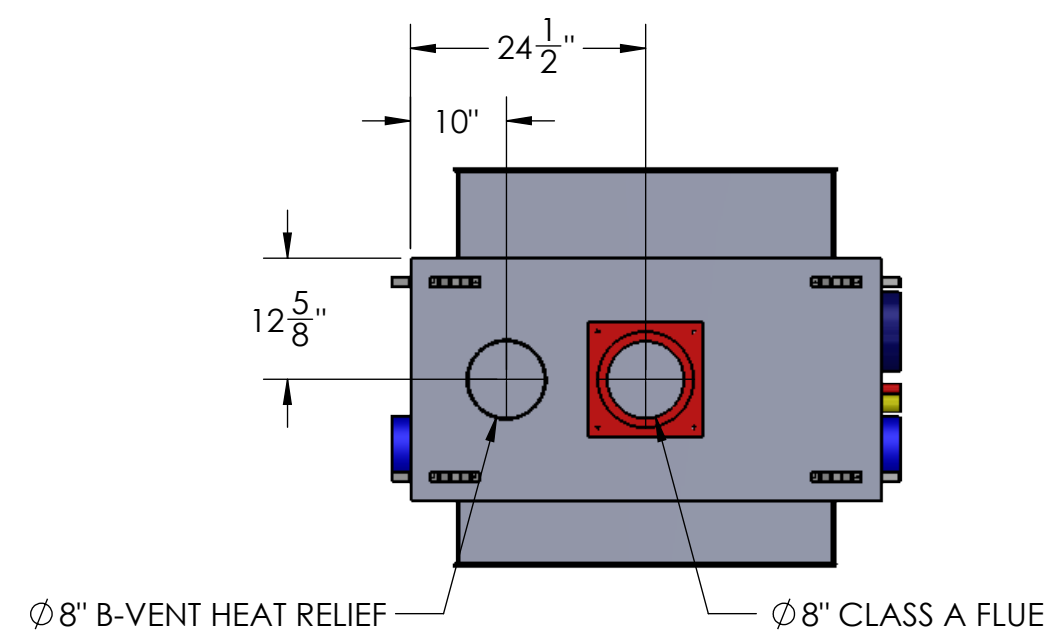
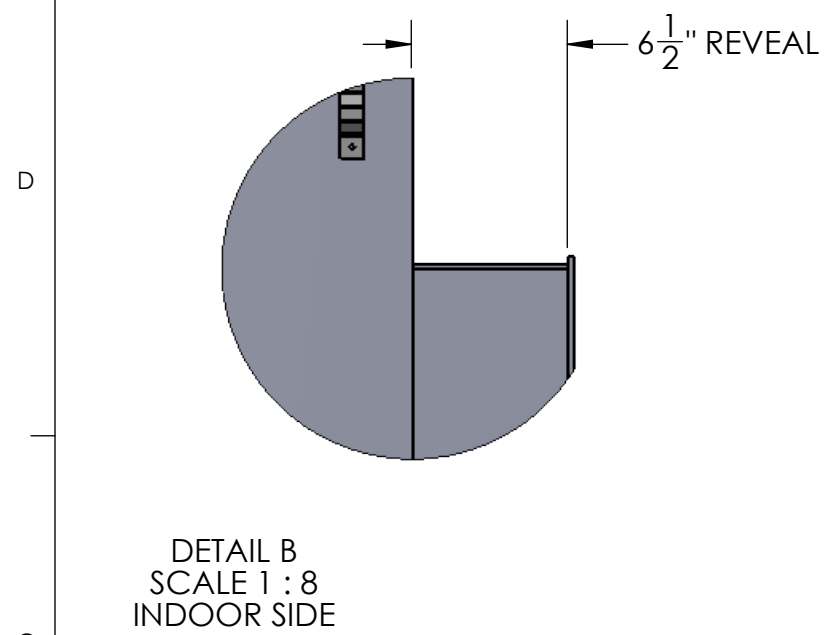
NOTES:


1. ALL OVERALL DIMENSIONS +/- 1/4"
2. CLEARANCE TO COMBUSTIBLES TO BE 4" ON TOP AND 2" ON BACK AND SIDES
3. FRAME AND FIREBOX TO BE FINISHED MATTE BLACK
4. APPROXIMATE BTUS: 39,000
5. GAS TYPE: NATURAL GAS

REVISIONS			
REV.	DESCRIPTION	ECO	DATE
A	INITIAL RELEASE	AR	2/26/2018
B	REVISED PER PLANS	AR	3/21/2018
C	REVISED PER CUSTOMER MARKUPS	AR	5/2/2018
D	REVISED INTAKE LOCATIONS	AR	5/15/2018
E	REVIESED PER CUSTOMER REQUEST	AR	5/24/2018

DO NOT SCALE DRAWING		<small>PROPRIETARY AND CONFIDENTIAL: THE INFORMATION CONTAINED IN THIS DRAWING IS THE SOLE PROPERTY OF ACUCRAFT. ANY REPRODUCTION IN PART OR AS A WHOLE WITHOUT THE WRITTEN PERMISSION OF ACUCRAFT IS PROHIBITED.</small>		 Acucraft Fireplace Systems 19672 172nd Street Big Lake, MN 55309
UNLESS OTHERWISE SPECIFIED ALL DIMENSIONS ARE IN INCHES		TITLE: CUSTOM LINEAR ST AMBLER FIREPLACES - 7259		
DRAWN BY: A.REDBERG	DATE: 5/24/2018	SIZE B	DWG. NO. 7259-A-005	REV E
MATERIAL:				SHEET 1 OF 2

8 7 6 5 4 3 2 1



DO NOT SCALE DRAWING		<small>PROPRIETARY AND CONFIDENTIAL: THE INFORMATION CONTAINED IN THIS DRAWING IS THE SOLE PROPERTY OF ACUCRAFT. ANY REPRODUCTION IN PART OR AS A WHOLE WITHOUT THE WRITTEN PERMISSION OF ACUCRAFT IS PROHIBITED.</small>		 Acucraft Fireplace Systems 19672 172nd Street Big Lake, MN 55309	
UNLESS OTHERWISE SPECIFIED ALL DIMENSIONS ARE IN INCHES		TITLE: CUSTOM LINEAR ST AMBLER FIREPLACES - 7259			
<small>DRAWN BY:</small> A.REDBERG	<small>DATE:</small> 5/24/2018	<small>SIZE</small> B		<small>DWG. NO.</small> 7259-A-005	<small>REV</small> E
<small>MATERIAL:</small>		<small>SHEET</small> 2		<small>OF</small> 2	

8 7 6 5 4 3 2 1