



BLAZE

S E R I E S

Quality - Value - Safety



Single-Sided • See-Through • Indoor/Outdoor

FIRE IS OUR PASSION

Acucraft has been the premier manufacturer of fireplace systems since 1979. Our dedication to innovation, honesty, excellence, and hard work ensure that we can provide solutions to each and every one of our customers.

CONTACT US TODAY

www.acucraft.com
www.acucraft.com/architect
info@acucraft.com
(763) 263-3156
(888) 317-6499



Acucraft copyright, 2016

Safety Tested

All Blaze models have been tested to Acucraft's standards and approved by a 3rd Party for use in the United States and Canada; giving you peace of mind with guaranteed safety, as with all Acucraft fireplaces!

Our extensive tests include: combustion tests, burner durability and safety shut-off, glass impact, water shock, surface temperatures, extreme weather for our indoor/outdoor models and **MORE!**

Blaze Models

Single-Sided



See-Through



Patent Pending Indoor/Outdoor



How It Works

Acucraft delivers custom, high-end fireplaces adhering to the highest craftsmanship standards. Our fireplaces are created with 4 safety checkpoints, each of which needs to be met before the system will ignite.

STEP 1.

When the fireplace is turned on it sends a signal to the Automatic Draft System which opens the damper

STEP 2.

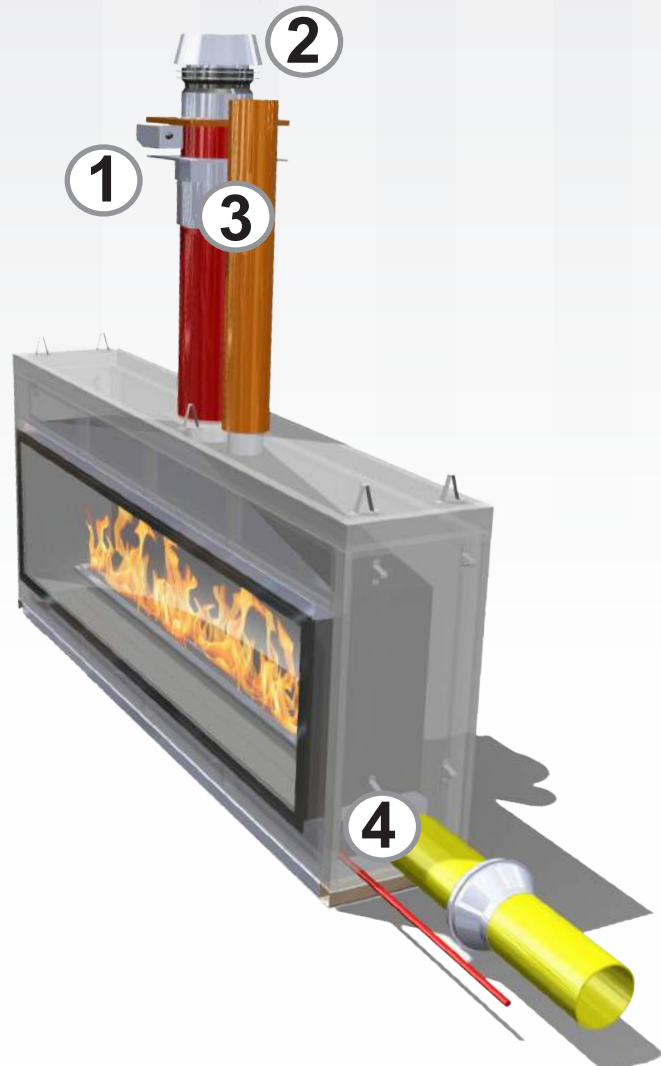
The exhaust fan engages

STEP 3.

The proven draft ensures positive exhaust of flue gases

STEP 4.

The gas valve opens signaling the spark ignition. The flame sensor provides combustion



Available Models

THREE STYLES



Single-Sided



See-Through & Indoor/Outdoor (patent-pending)

INCLUDES



Firebox w/ Insulated Panels



Black Interior Firebox



Black Removable Frame



Glass Cooling



1/4" Black Glass Media

Interior Options Additional fees may apply



1/4" Glass Media (various color options)

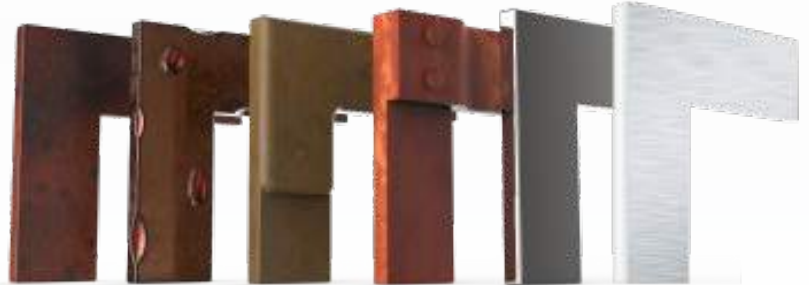


Reflective Black Porcelain (panels on back & sides)



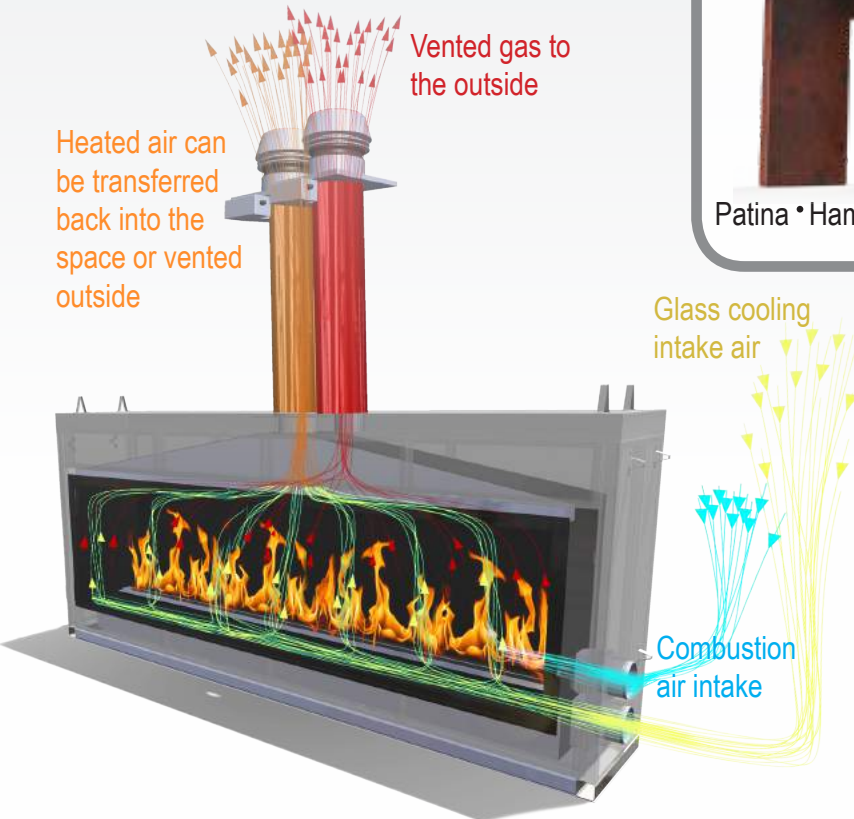
Mesh backer

Frame Finishing Options



Patina • Hammering • Strapping • Clavos • 304 Stainless Steel • Brushed Steel

Glass Cooling



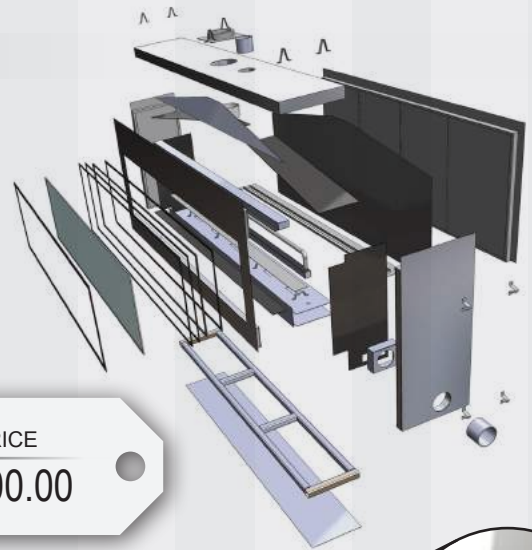
GLASS COOLING SYSTEM

Average glass temp 145 degrees F°

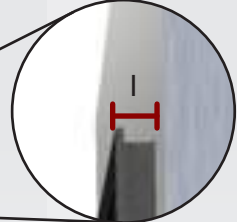
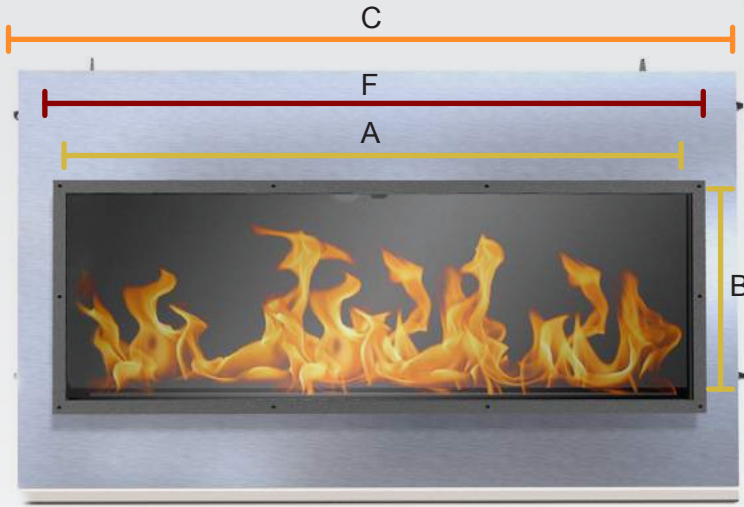
Acucraft's patent-pending **Glass Cooling System** forces air from outside into the air channel between the panes of glass

Fireplace Dimensions & Specifications

Blaze 6 Single-Sided Standard Gas Fireplace (6 Ft)



UNIT PRICE
\$9,900.00



SPECIFICATIONS

- 80,000 BTUs Propane
- 100,000 BTUs Natural Gas
- Height: 55"
- Width: 88"
- Depth: 24"

VENTING REQUIREMENTS

- 8" Flue | 8" Heat Relief
- 8" Combustion Air Inlet
- 8" Room Air Intake
- Power Vent
- Proven Draft System
- Automated Draft Control

Certified for US & Canada
ANSI Z21.50, CSA 2.22-2016

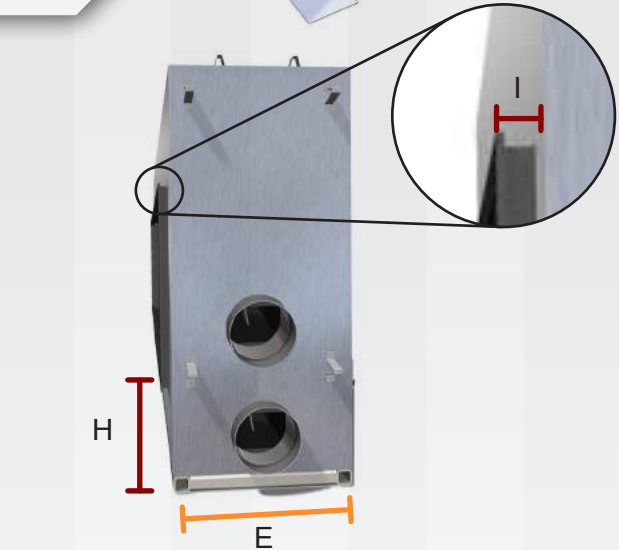
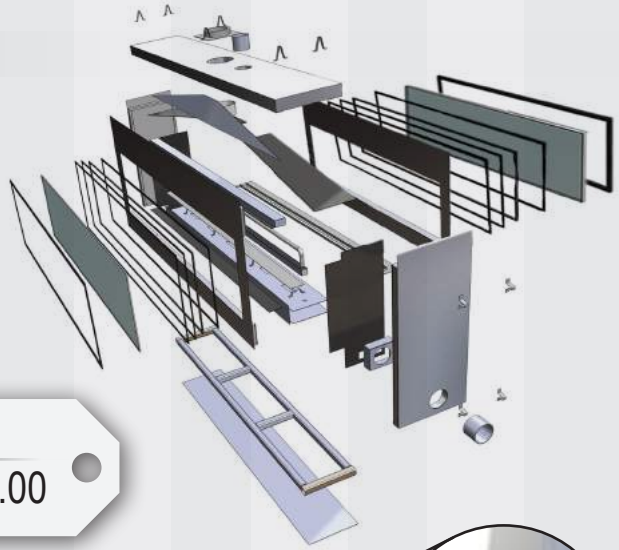


	VIEWING AREA		MINIMUM COMBUSTIBLE FRAMING DIMENSIONS (INCLUDING SHEETROCK)			FRAME DETAILS			
	A	B	C	D	E	F	G	H	I
Inch	72	24	88	55	24	75	27	11	1
CM	182.88	60.96	223.52	139.7	60.96	190.5	68.58	27.94	2.54

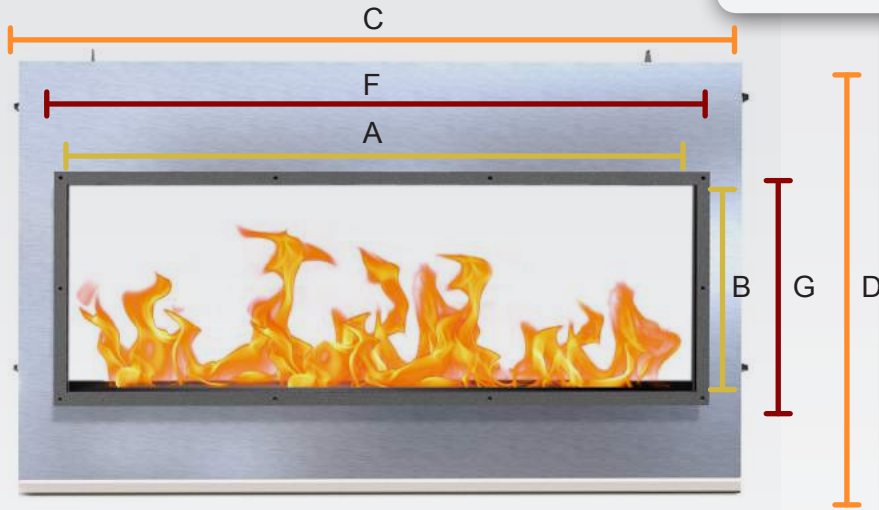


Fireplace Dimensions & Specifications

Blaze 6 See-Through Standard Gas Fireplace (6 Ft)



UNIT PRICE
\$11,900.00



SPECIFICATIONS

- 80,000 BTUs Propane
- 100,000 BTUs Natural Gas
- Height: 55"
- Width: 88"
- Depth: 24"

VENTING REQUIREMENTS

- 8" Flue | 8" Heat Relief
- 8" Combustion Air Inlet
- 8" Room Air Intake
- Power Vent
- Proven Draft System
- Automated Draft Control

Certified for US & Canada
ANSI Z21.50, CSA 2.22-2016

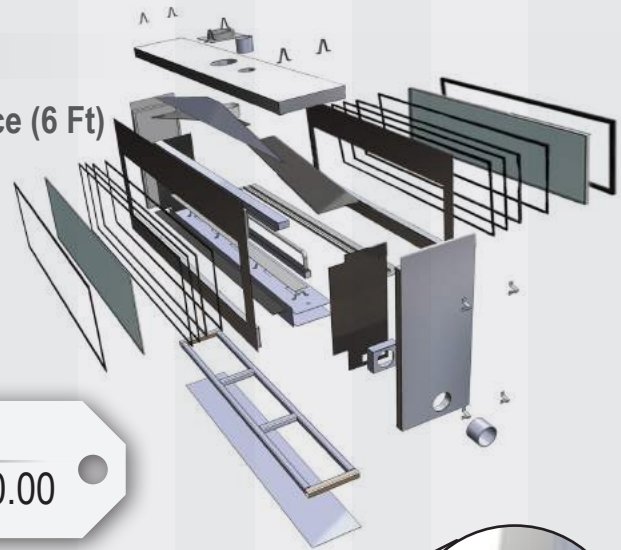


	VIEWING AREA		MINIMUM COMBUSTIBLE FRAMING DIMENSIONS (INCLUDING SHEETROCK)			FRAME DETAILS			
	A	B	C	D	E	F	G	H	I
Inch	72	24	88	55	22	75	27	12	1
CM	182.88	60.96	223.52	139.7	55.88	190.5	68.58	30.48	2.54

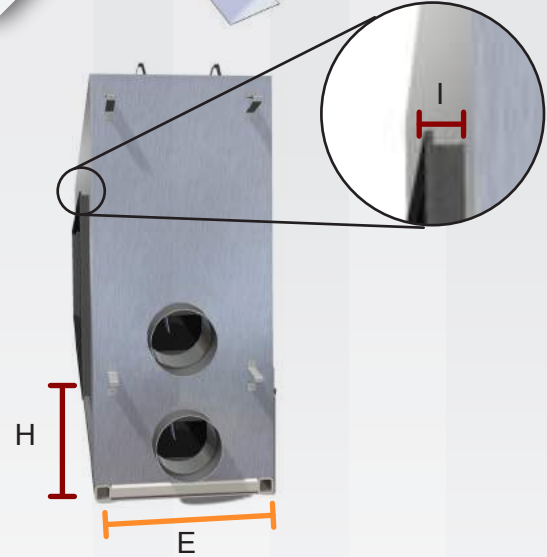
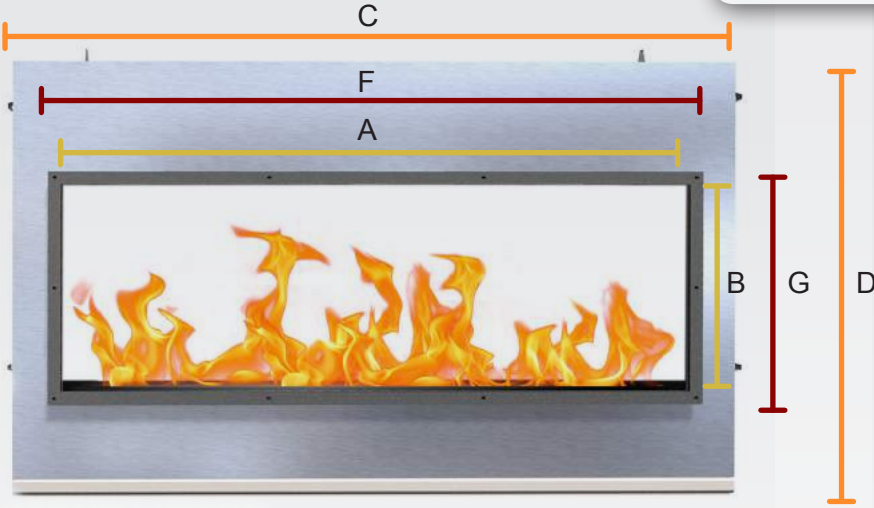


Fireplace Dimensions & Specifications

Blaze 6 Patent-Pending Indoor/Outdoor Standard Gas Fireplace (6 Ft)



UNIT PRICE
\$11,900.00



SPECIFICATIONS

80,000 BTUs Propane
100,000 BTUs Natural Gas
Height: 55"
Width: 88"
Depth: 24"

VENTING REQUIREMENTS

8" Flue | 8" Heat Relief
8" Combustion Air Inlet
8" Room Air Intake
Power Vent
Proven Draft System
Automated Draft Control

Certified for US & Canada
ANSI Z21.50, CSA 2.22-2016
ANSI Z21.97, CSA 2.41-2014



	VIEWING AREA		MINIMUM COMBUSTIBLE FRAMING DIMENSIONS (INCLUDING SHEETROCK)			FRAME DETAILS			
	A	B	C	D	E	F	G	H	I
Inch	72	24	88	55	22	75	27	12	1
CM	182.88	60.96	223.52	139.7	55.88	190.5	68.58	30.48	2.54





Acucraft Custom Build For You

Since 1979 we have survived and thrived due to our passion and ability to provide unique fire solutions for our customers. Your design is the primary focus of our Fireplace Advisors and Designers.

Through Passion, Innovation, Honesty, Excellence, and Hard Work we provide You with a unique, amazing product and exceptional customer service.

Let us bring Your design to life!



"Thank you for The Hermitage Club fireplace. Definitely one for the record books and a worthy accomplishment on many fronts. We're very proud! Thank you for contributing the highlight!"

- Austin Design Inc.



"We love the custom fireplace that you helped us design into the Marriott Indianapolis East's new lobby!"

- Shawn Curran, Curran Architecture



"Thank you! We love our fireplace!"

- @GrdHyattDenver



Acucraft Customers



Get started on Your dream fireplace today! (888) 317-6499 • (763) 263-3156
www.acucraft.com • www.acucraft.com/architect • info@acucraft.com

