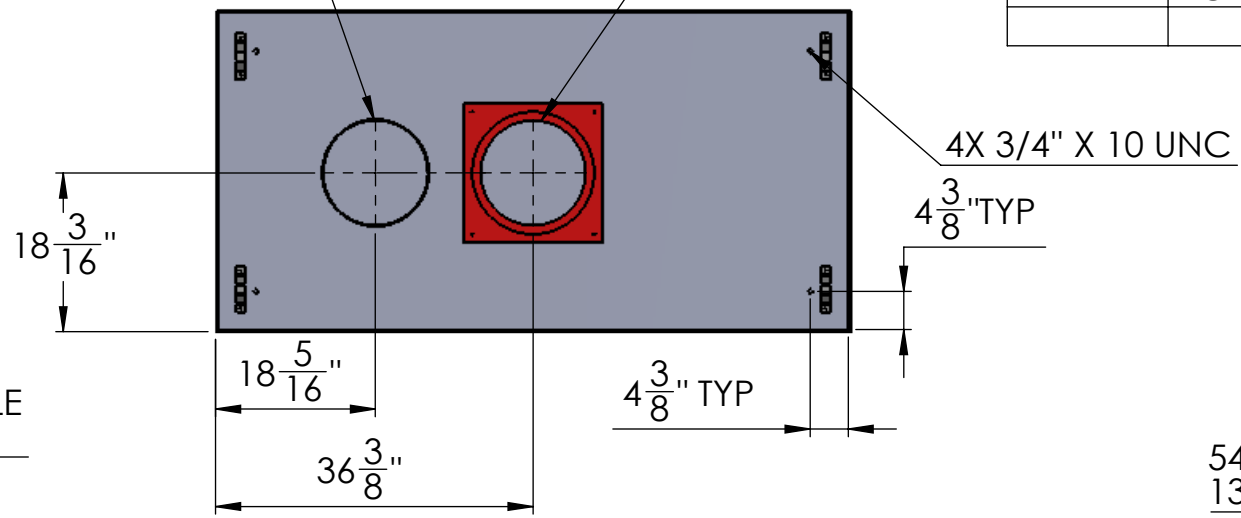
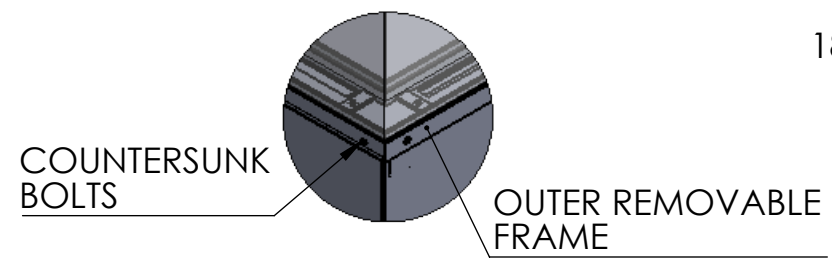


REV	DESCRIPTION	ECO	DATE
A	INITIAL RELEASE	RS	9/12/17
B	NOTES ON BURNER UPDATED	RS	9/12/17

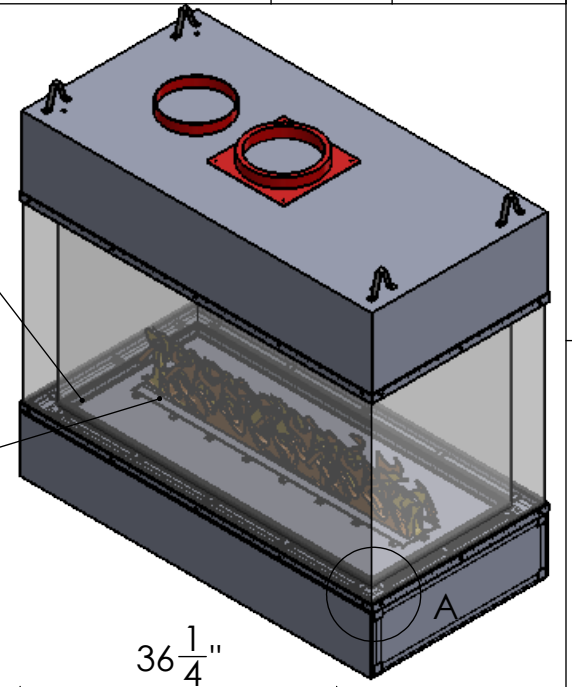
12" B-VENT FOR HEAT RELIEF 12" CLASS A FLUE

DETAIL A
SCALE 2 : 25



TO BE COVER WITH
1/4" CRUSHED GLASS

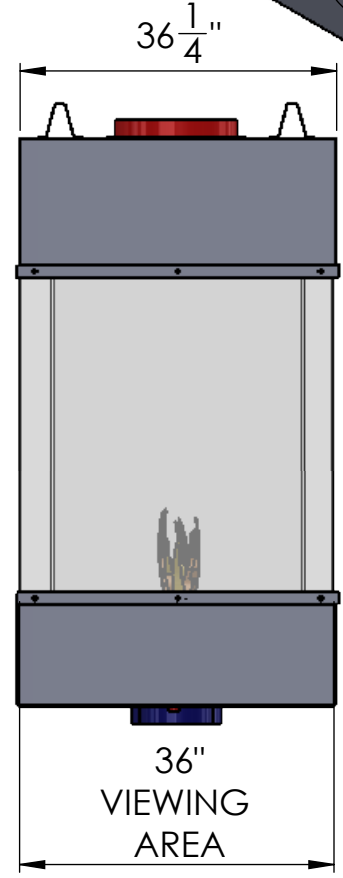
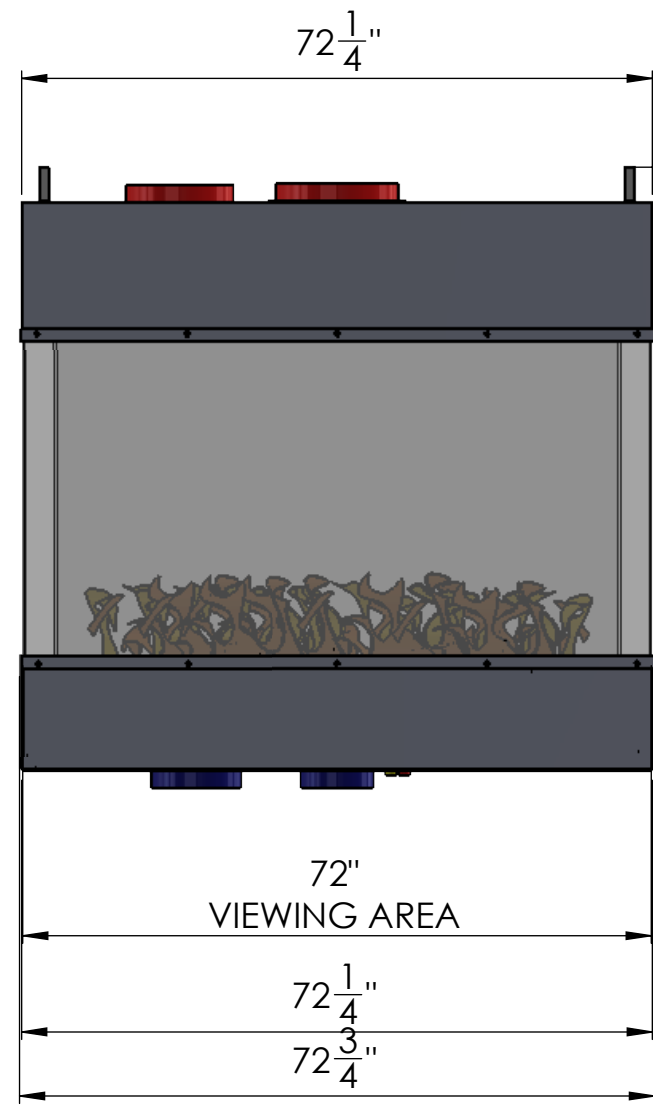
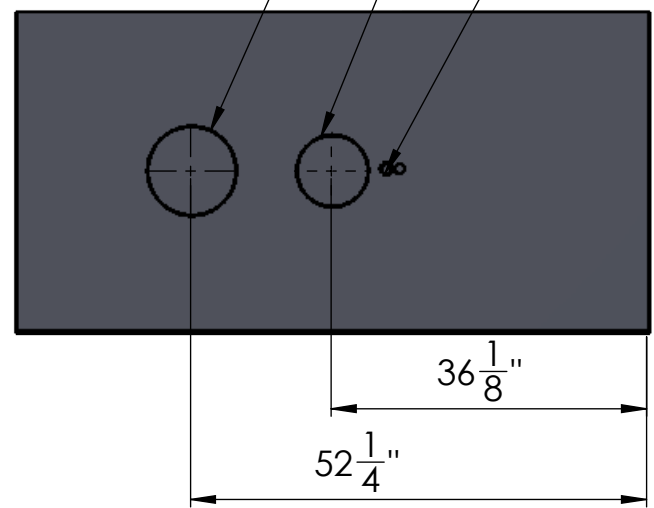
54" NG DUAL BURNER
135,000 BTU



10" GLASS COOLING INTAKE

8" COMBUSTION AIR

GAS & ELECTRIC STUBS



- NOTES:
- HOOD MUST BE SUPPORT FROM ABOVE
 - CRUSHED GLASS COLOR TBD
 - CLEARANCE TO COMBUSTIBLES
 - 4" OFF OF TOP OF UNIT
 - 2" OFF OF SIDE OF UNIT
 - 6" BELOW GLASS FRAME
 - 12" ABOVE GLASS FRAME

DO NOT SCALE DRAWING		PROPRIETARY AND CONFIDENTIAL: THE INFORMATION CONTAINED IN THIS DRAWING IS THE SOLE PROPERTY OF ACUCRAFT. ANY REPRODUCTION IN PART OR AS A WHOLE WITHOUT THE WRITTEN PERMISSION OF ACUCRAFT IS PROHIBITED.		Acucraft Fireplace Systems 19672 172nd Street Big Lake, MN 55309	
UNLESS OTHERWISE SPECIFIED ALL DIMENSIONS ARE IN INCHES		TITLE: INFINITY 6 DUAL			
DRAWN BY: R.SHEPHERD	DATE: 1/9/2018	SIZE B	DWG. NO. 6808-A-002	REV B	SHEET 1 OF 1