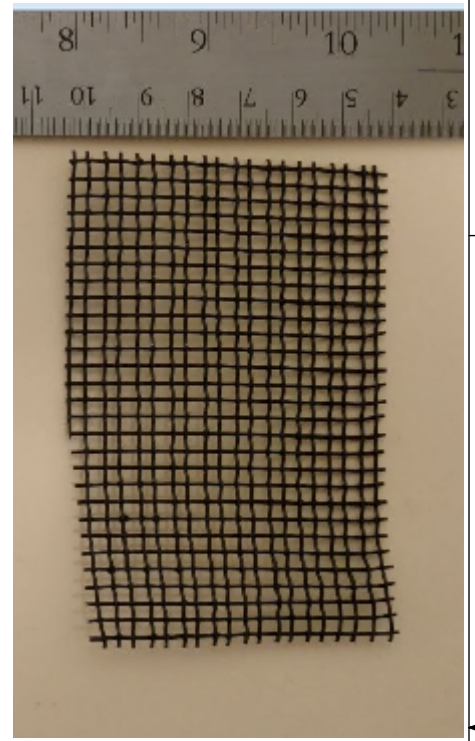
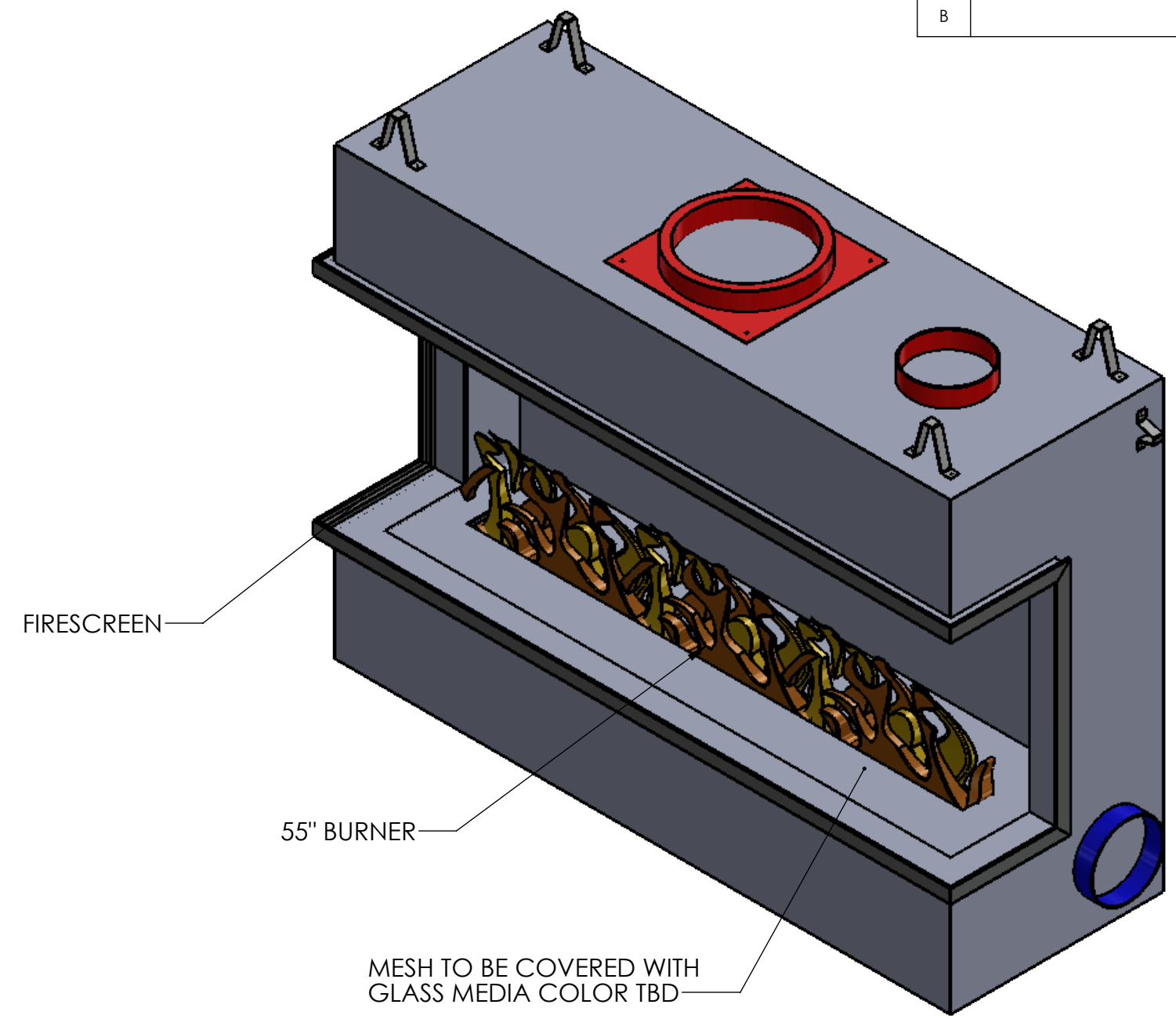


8 7 6 5 4 3 2 1


REVISIONS			
REV.	DESCRIPTION	ECO	DATE
A	INITIAL RELEASE	AR	3/5/2018
B	ADD DIMENSIONS	AR	3/21/2018

D  
C  
B  
A

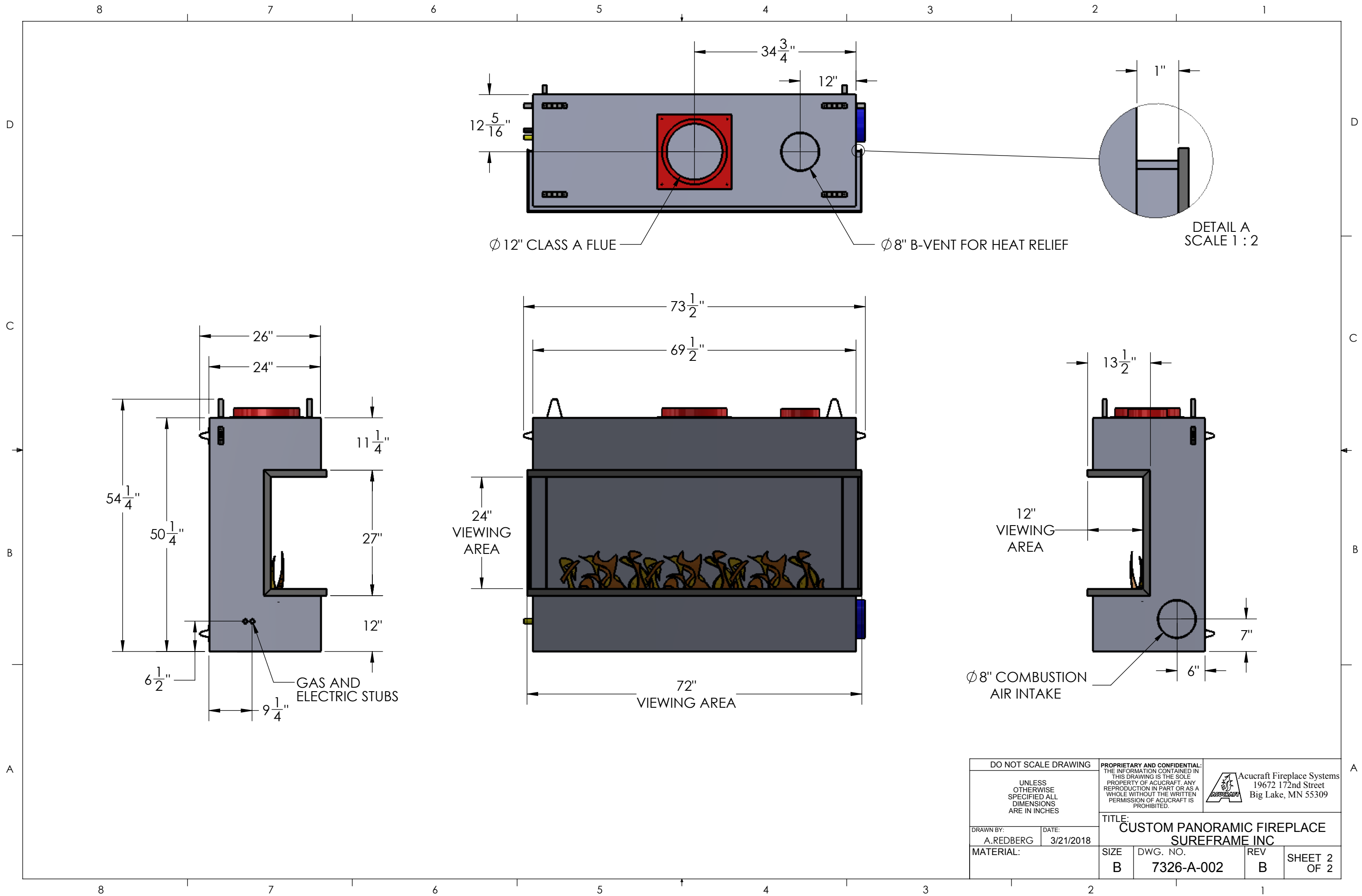



ACTUAL FIRESCREEN CORNERS TO HAVE 3/8" SUPPORTS

- NOTES:
1. ALL OVERALL DIMENSIONS +/- 1/4"
  2. CLEARANCE TO COMBUSTIBLES TO BE 4" ON TOP AND 2" ON BACK AND SIDES
  3. FRAME AND FIREBOX TO BE FINISHED MATTE BLACK
  4. APPROXIMATE BTU: 70,000
  5. GAS TYPE: NATURAL GAS

DO NOT SCALE DRAWING		<small>PROPRIETARY AND CONFIDENTIAL: THE INFORMATION CONTAINED IN THIS DRAWING IS THE SOLE PROPERTY OF ACUCRAFT. ANY REPRODUCTION IN PART OR AS A WHOLE WITHOUT THE WRITTEN PERMISSION OF ACUCRAFT IS PROHIBITED.</small>		 Acucraft Fireplace Systems 19672 172nd Street Big Lake, MN 55309
UNLESS OTHERWISE SPECIFIED ALL DIMENSIONS ARE IN INCHES		TITLE: <b>CUSTOM PANORAMIC FIREPLACE SUREFRAME INC</b>		
DRAWN BY: A.REDBERG	DATE: 3/21/2018	SIZE <b>B</b>	DWG. NO. <b>7326-A-002</b>	REV <b>B</b>
MATERIAL:		SHEET 1 OF 2		

8 7 6 5 4 3 2 1



DO NOT SCALE DRAWING		PROPRIETARY AND CONFIDENTIAL: THE INFORMATION CONTAINED IN THIS DRAWING IS THE SOLE PROPERTY OF ACUCRAFT. ANY REPRODUCTION IN PART OR AS A WHOLE WITHOUT THE WRITTEN PERMISSION OF ACUCRAFT IS PROHIBITED.		 Acucraft Fireplace Systems 19672 172nd Street Big Lake, MN 55309
UNLESS OTHERWISE SPECIFIED ALL DIMENSIONS ARE IN INCHES		TITLE: <b>CUSTOM PANORAMIC FIREPLACE SUREFRAME INC</b>		
DRAWN BY: A.REDBERG	DATE: 3/21/2018	SIZE B	DWG. NO. 7326-A-002	REV B
MATERIAL:				SHEET 2 OF 2