

8 7 6 5 4 3 2 1

REVISIONS			
REV.	DESCRIPTION	ECO	DATE
H	HEARTH REPLACED BY EXTENSION OF FIREPLACE BASE	RS	3/15/2018

COCENTRIC FLUE AND HEAT RELIEF TO CREATE SINGLE DUCT  
 8" CLASS A FLUE  
 18" B-VENT FOR HEAT RELIEF

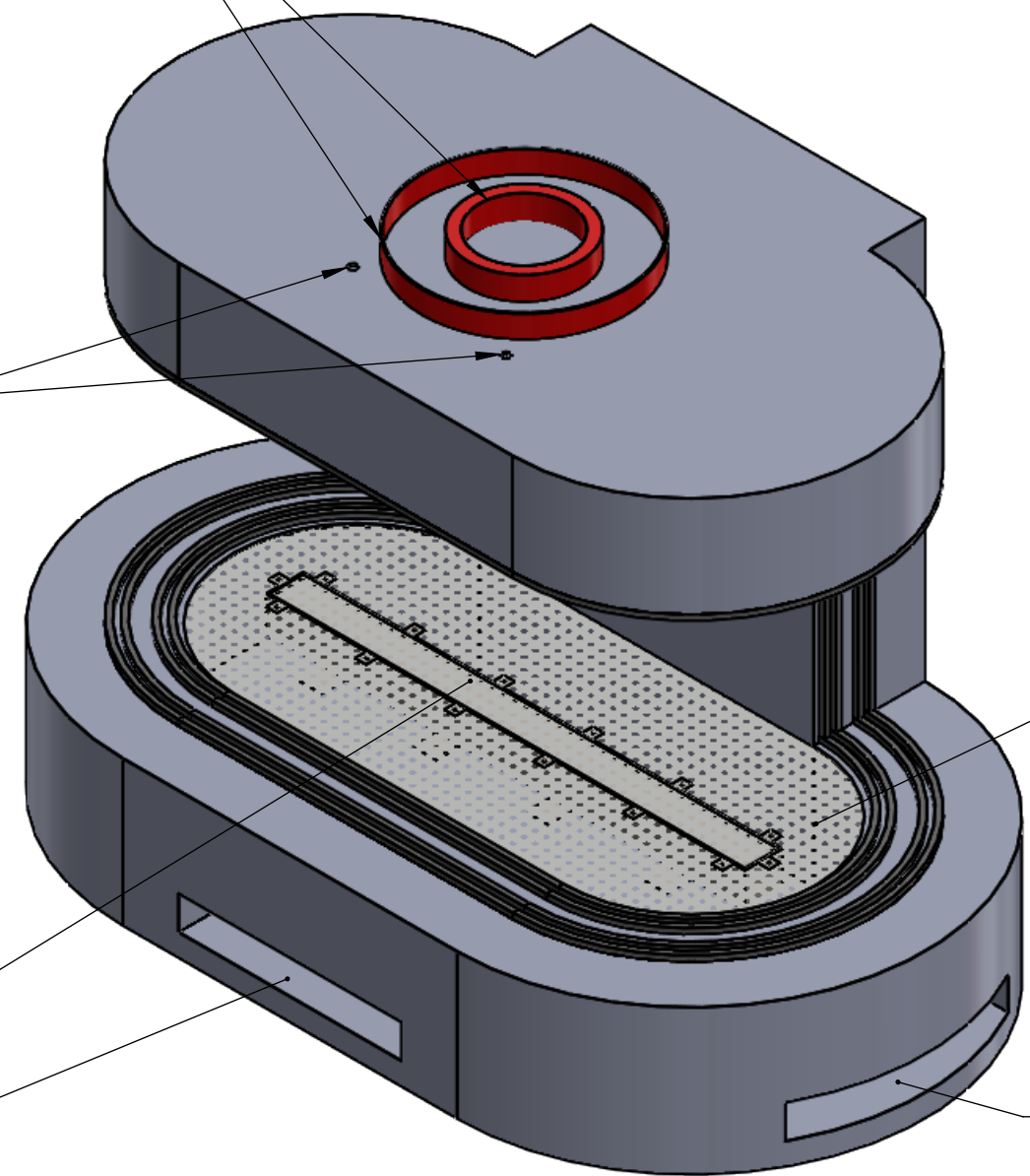
2 x 3/4-10NC COUPLER NUTS  
 FOR HOOD SUPPORT

42" NAT GAS BURNER  
 52,500 BTU

AIR INTAKE VENT


AIR INTAKE VENT  
 \*CAN BE COVERED BY MESH OR LOUVER BY OTHERS\*

CRUSHDE GLASS MEDIA TO COVER MEDIA TRAY

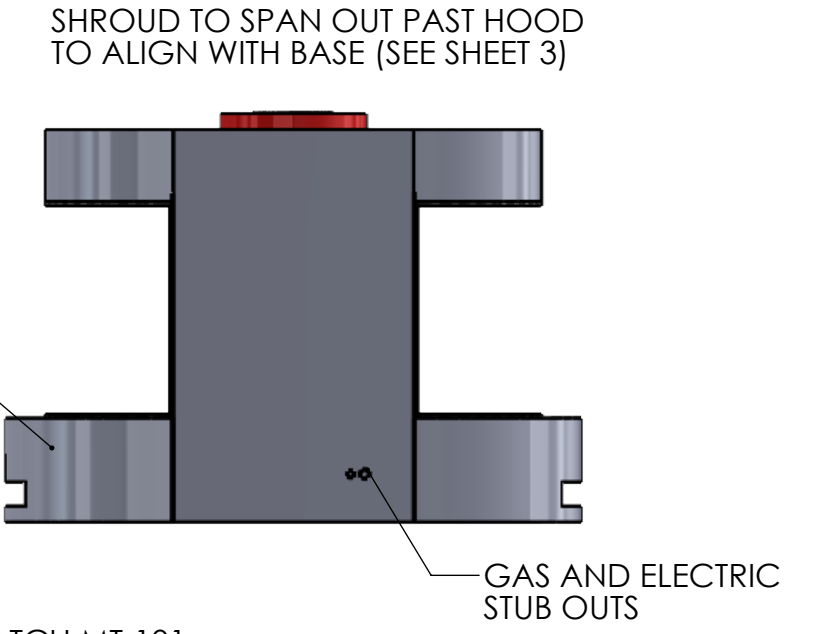
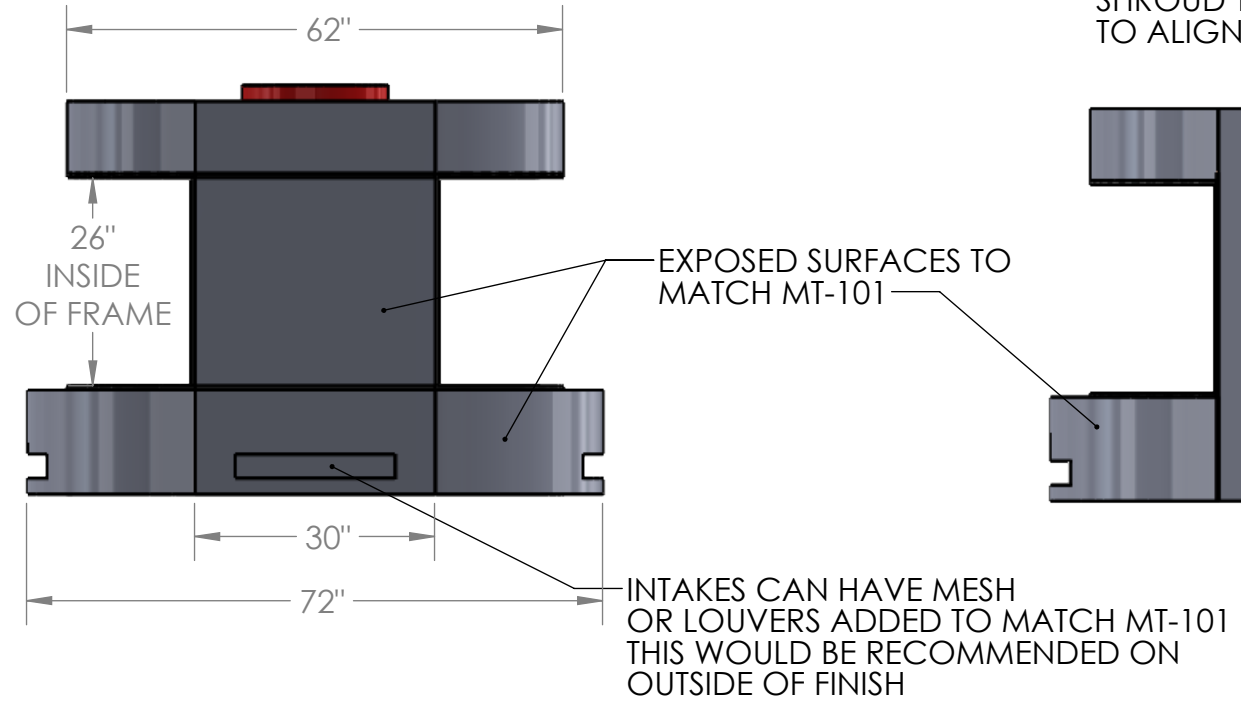
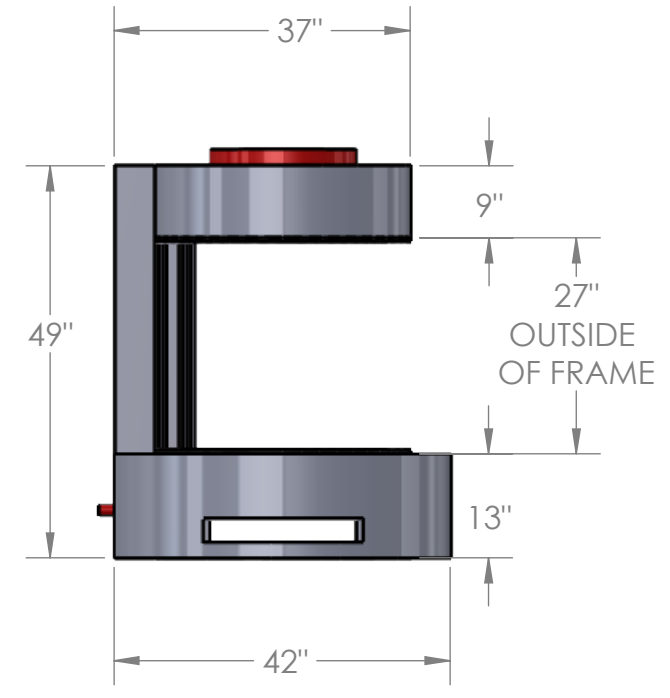
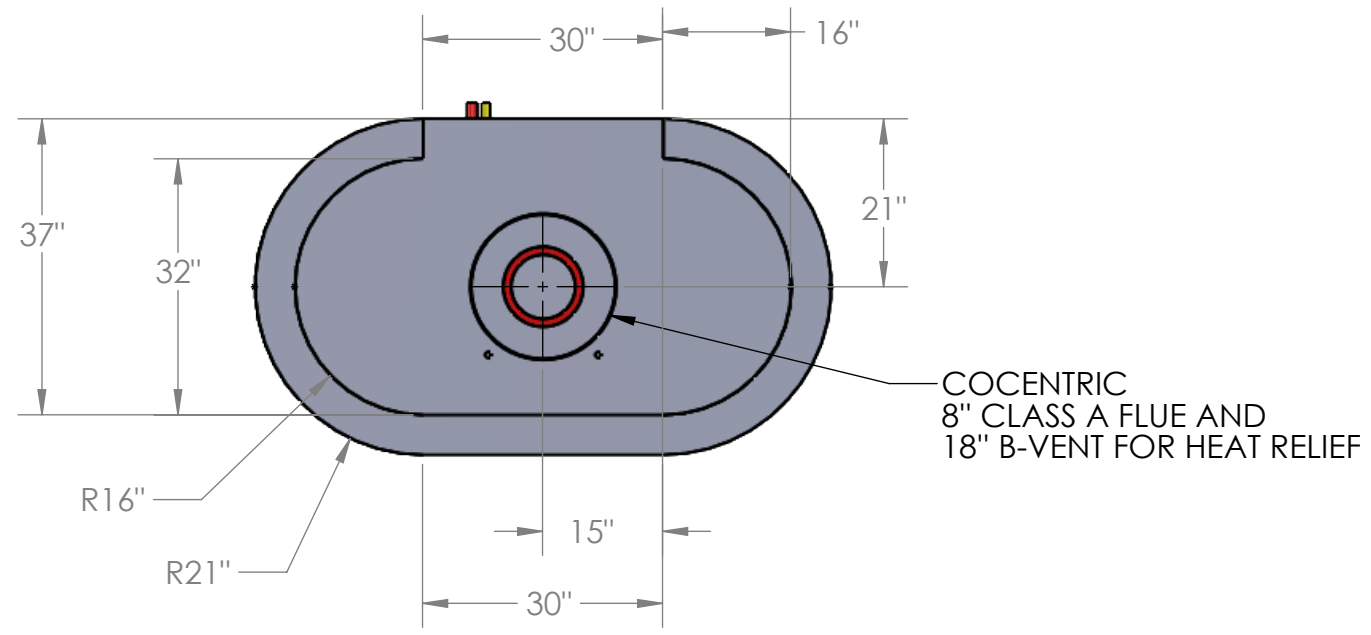


NOTES:

1. CLEARANCE TO COMBUSTIBLES TO BE 4" ON TOP AND 2" ON BACK AND SIDES
2. HOOD TO BE SUPPORTED FROM ABOVE
3. ANY EXPOSED SURFACES TO MATCH MT-101;MATCHING METAL SHROUD
4. 52,500 BTU; NAT GAS BURNER

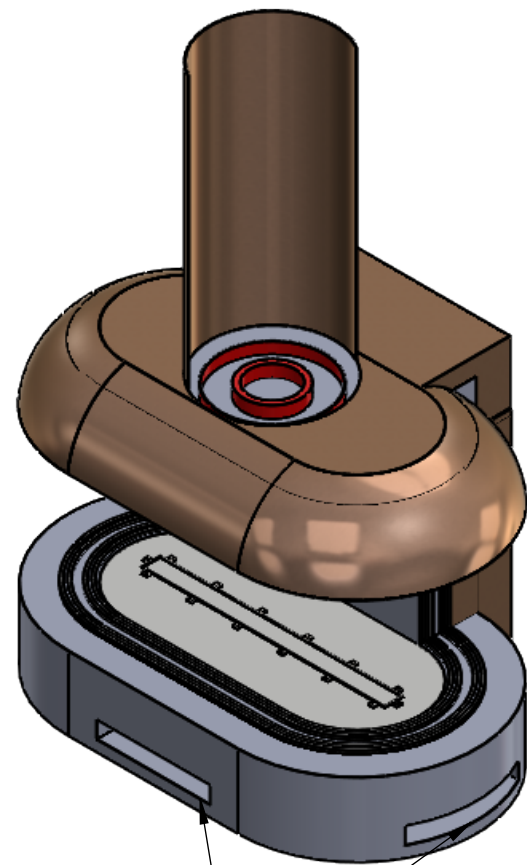
DO NOT SCALE DRAWING		PROPRIETARY AND CONFIDENTIAL: THE INFORMATION CONTAINED IN THIS DRAWING IS THE SOLE PROPERTY OF ACUCRAFT. ANY REPRODUCTION IN PART OR AS A WHOLE WITHOUT THE WRITTEN PERMISSION OF ACUCRAFT IS PROHIBITED.		 Acucraft Fireplace Systems 19672 172nd Street Big Lake, MN 55309	
UNLESS OTHERWISE SPECIFIED ALL DIMENSIONS ARE IN INCHES		TITLE: <b>CUSTOM GAS FIREPLACE                  (ALLEGHENY 0759)</b>			
DRAWN BY: R.SHEPHERD	DATE: 3/15/2018	SIZE <b>B</b>	DWG. NO. <b>0759-A-008</b>	REV <b>H</b>	SHEET <b>1</b> OF <b>3</b>

8 7 6 5 4 3 2 1



DO NOT SCALE DRAWING		PROPRIETARY AND CONFIDENTIAL: THE INFORMATION CONTAINED IN THIS DRAWING IS THE SOLE PROPERTY OF ACUCRAFT. ANY REPRODUCTION IN PART OR AS A WHOLE WITHOUT THE WRITTEN PERMISSION OF ACUCRAFT IS PROHIBITED.		Acucraft Fireplace Systems 19672 172nd Street Big Lake, MN 55309
UNLESS OTHERWISE SPECIFIED ALL DIMENSIONS ARE IN INCHES		TITLE: <b>CUSTOM GAS FIREPLACE (ALLEGHENY 0759)</b>		
DRAWN BY: R.SHEPHERD	DATE: 3/15/2018	SIZE B	DWG. NO. 0759-A-008	REV H
MATERIAL:				SHEET 2 OF 3

NOTE: HEARTH MATERIAL AND METAL SHROUD BY OTHERS  
HEARTH AND SHROUD FOR REFERENCE ONLY



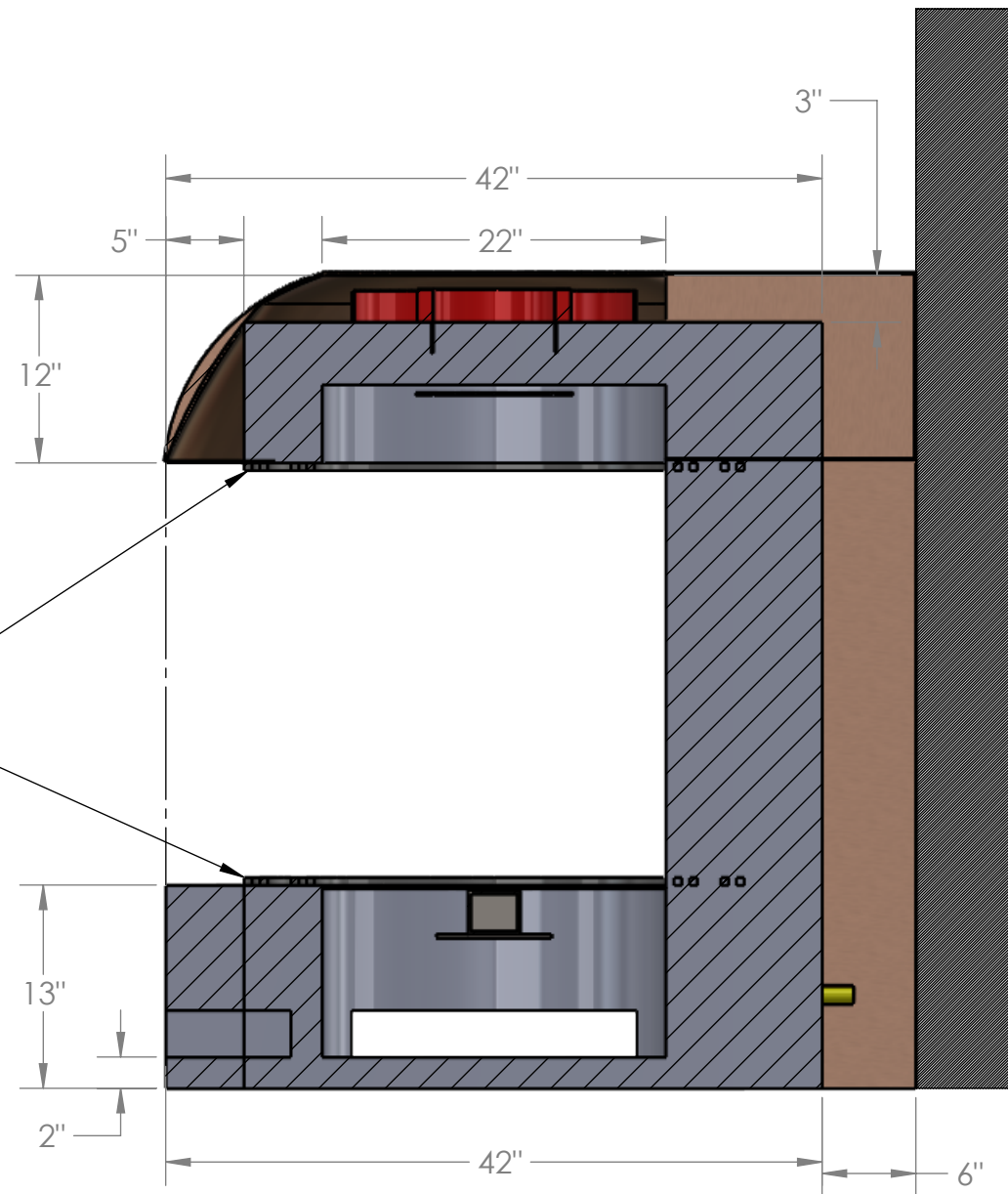
SLOTS TO BE  
3" X 20"  
TO BE COVERD WITH MESH

FRAME NOT TO BE COVERED

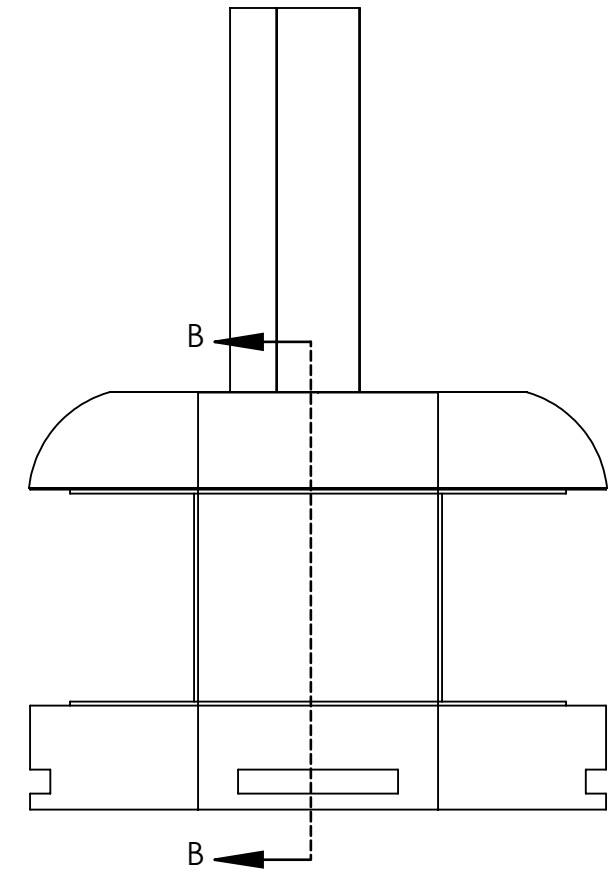
CLEARANCES TO COMBUSTIBLES:  
-2" OFF OF BACK AND SIDES OF THE UNIT  
-4" OFF OF THE TOP OF THE UNIT  
-6" OFF OF THE SIDES OF THE VIEWING AREA  
-12" OFF OF THE TOP OF THE VIEWING AREA


IT IS ACCEPTABLE TO FASTEN RIGHT TO THE INSULATION PANEL.  
SCREWS MAY PENETRATE THE INSULATION PANEL 1"

VISIBLE SCREWS TO BE FLUSH AND MATCH MT-101  
VISUAL SURFACES TO MATCH MT-101



SECTION B-B  
SCALE 1 : 12



DO NOT SCALE DRAWING		PROPRIETARY AND CONFIDENTIAL: THE INFORMATION CONTAINED IN THIS DRAWING IS THE SOLE PROPERTY OF ACUCRAFT. ANY REPRODUCTION IN PART OR AS A WHOLE WITHOUT THE WRITTEN PERMISSION OF ACUCRAFT IS PROHIBITED.		 Acucraft Fireplace Systems 19672 172nd Street Big Lake, MN 55309
UNLESS OTHERWISE SPECIFIED ALL DIMENSIONS ARE IN INCHES		TITLE: <b>EXAMPLE OF SHROUD AND MANTEL</b>		
DRAWN BY: R.SHEPHERD	DATE: 3/15/2018	SIZE <b>B</b>	DWG. NO. <b>0759-A-008</b>	REV <b>H</b>
MATERIAL:				SHEET 3 OF 3