

CLEARANCES TO COMBUSTIBLES:

- FLUE: 2" CLEARANCE TO COMBUSTIBLES
- B-VENT: MANUFACTURER RECOMMENDATION
- INTAKE DUCTING: 0"

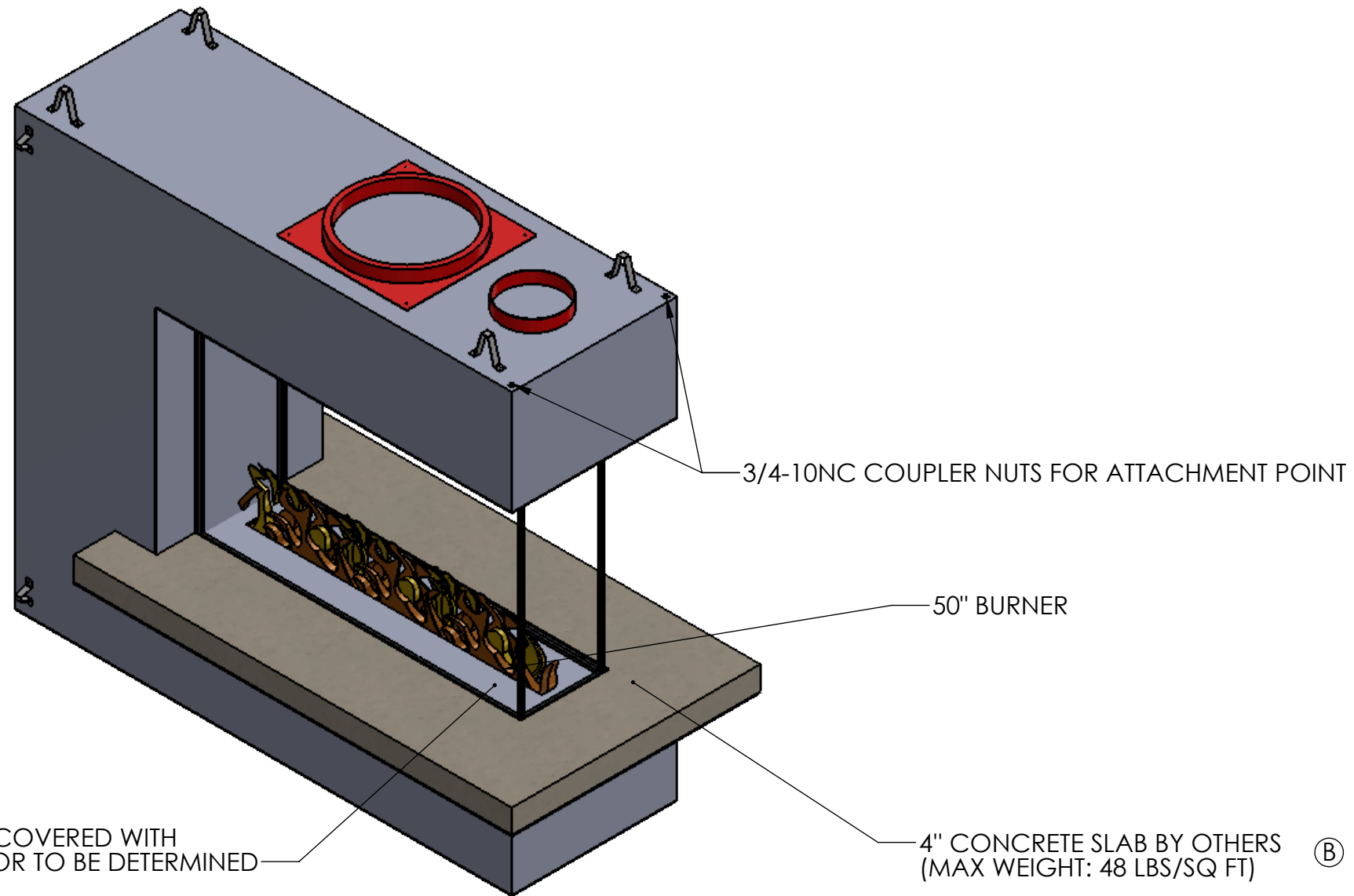
- FIREPLACE SIDES: 2"
- FIREPLACE TOP: 4"
- FIREPLACE BOTTOM: 0"
- VIEWING AREA SIDES: 6"
- VIEWING AREA BOTTOM: 6"
- VIEWING AREA TOP: 12"

SPECIFICATIONS FOR CURRENT SETUP:
(MAY CHANGE WITH DESIGN CHANGES)


50" BURNER
 GAS TYPE: PROPANE
 BTU: 75,000
 NOMINAL PRESSURE: 7 IN. W.C.
 MAX PRESSURE: 14 IN. W.C.

ELECTRICAL SYSTEM
 CIRCUIT REQUIREMENT: 20 AMP 120V
 (WIRING DIAGRAM PROVIDED WITH SUBMITTAL)

REVISIONS			
REV.	DESCRIPTION	ECO	DATE
A	INITIAL RELEASE	RS	11/13/2017
B	CHANGES MADE TO ACCEPT CONCRETE SLAB HEARTH	RS	11/30/2017
C	VIEWING AREA HEIGHT ADJUSTED TO 36"; FLUE SIZE REDUCED TO 18"	RS	12/5/2017



MEDIA TRAY TO BE COVERED WITH GLASS MEDIA COLOR TO BE DETERMINED

DO NOT SCALE DRAWING		PROPRIETARY AND CONFIDENTIAL: THE INFORMATION CONTAINED IN THIS DRAWING IS THE SOLE PROPERTY OF ACUCRAFT. ANY REPRODUCTION IN PART OR AS A WHOLE WITHOUT THE WRITTEN PERMISSION OF ACUCRAFT IS PROHIBITED.		 Acucraft Fireplace Systems 19672 172nd Street Big Lake, MN 55309	
UNLESS OTHERWISE SPECIFIED ALL DIMENSIONS ARE IN INCHES		TITLE: CUSTOM PENNINSULA FIREPLACE VALUE BEAU 7017			
DRAWN BY: R.SHEPHERD	DATE: 11/13/2017	SIZE B	DWG. NO. 7017-A-004	REV D	SHEET 1 OF 3

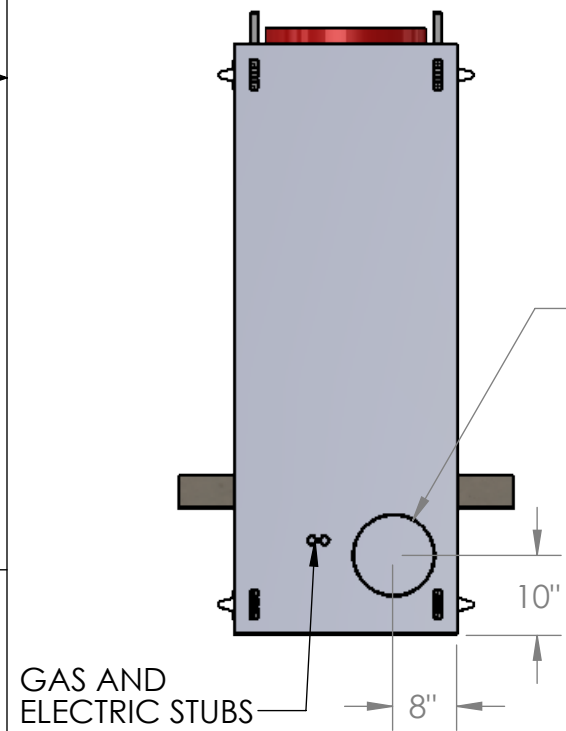
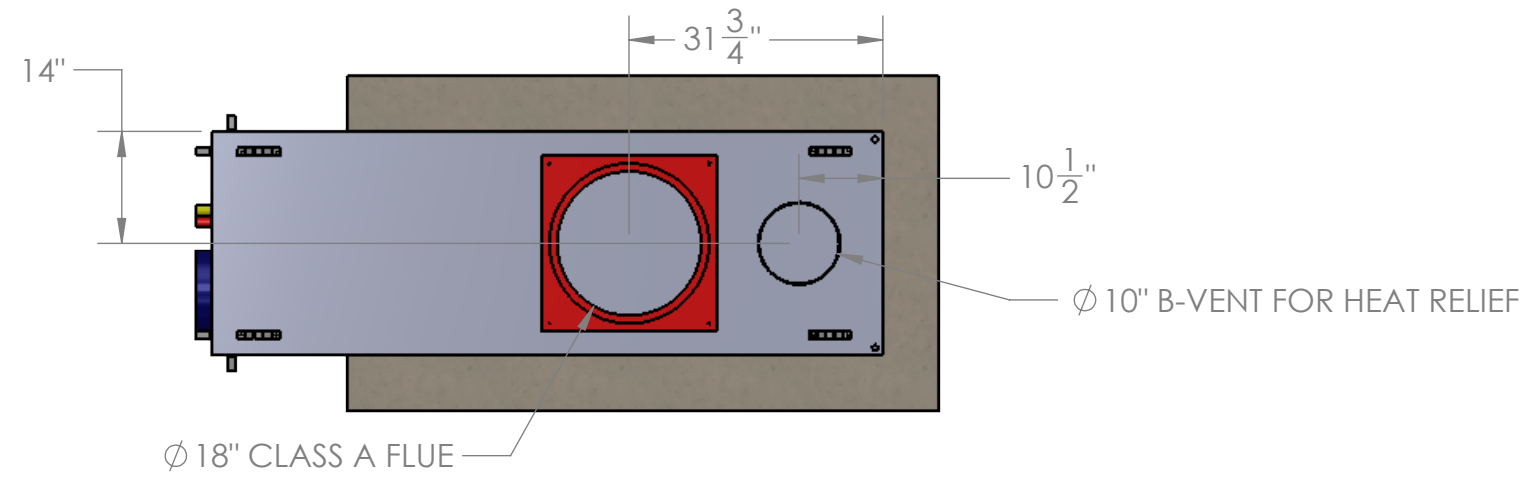
8 7 6 5 4 3 2 1

D

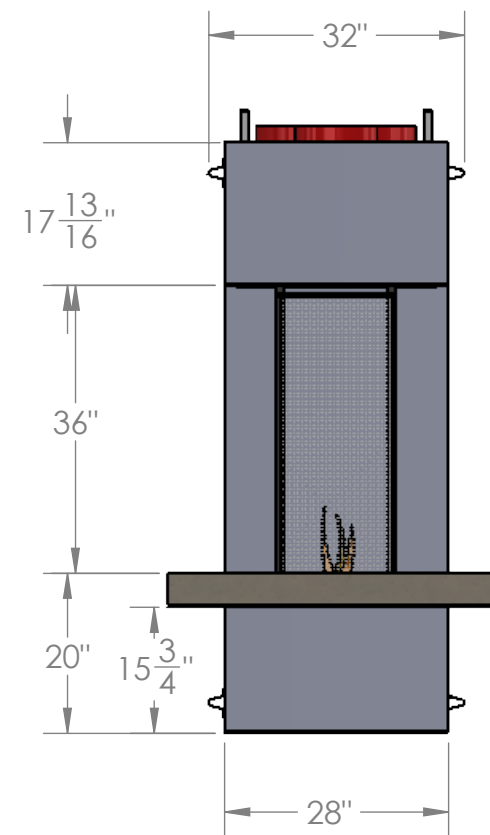
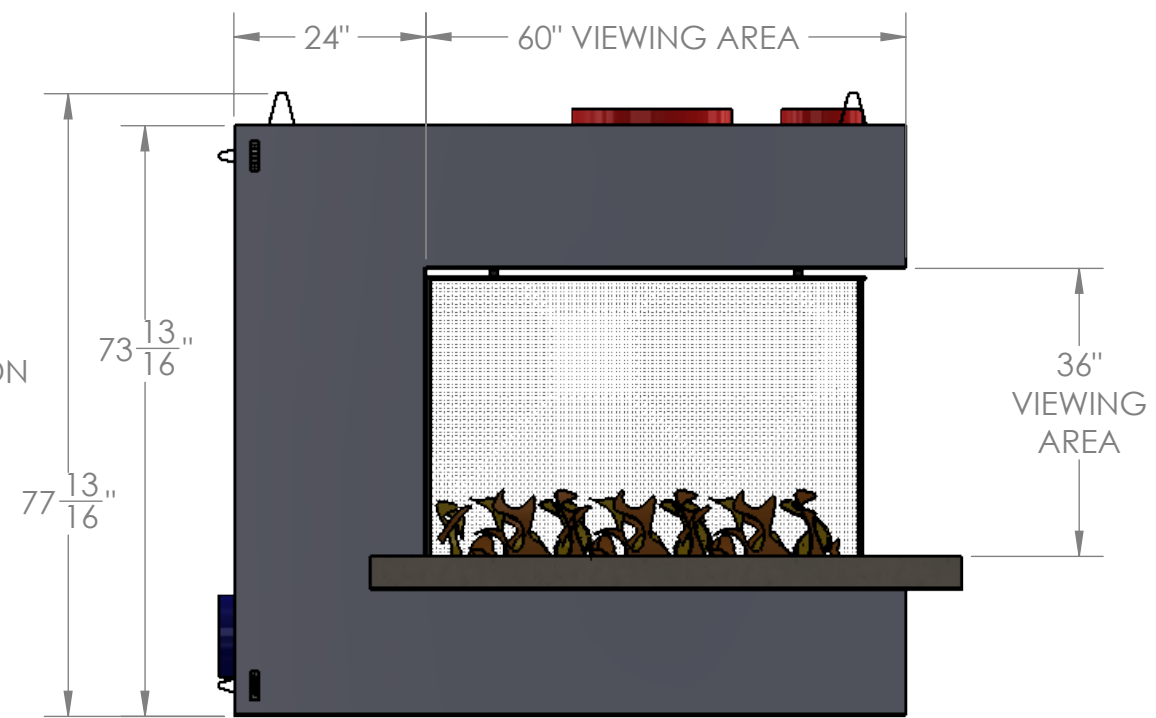
C


B

A



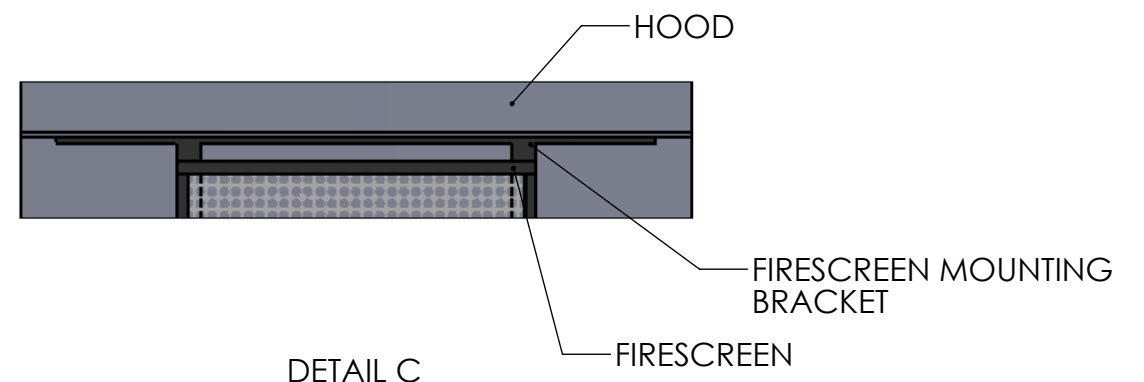
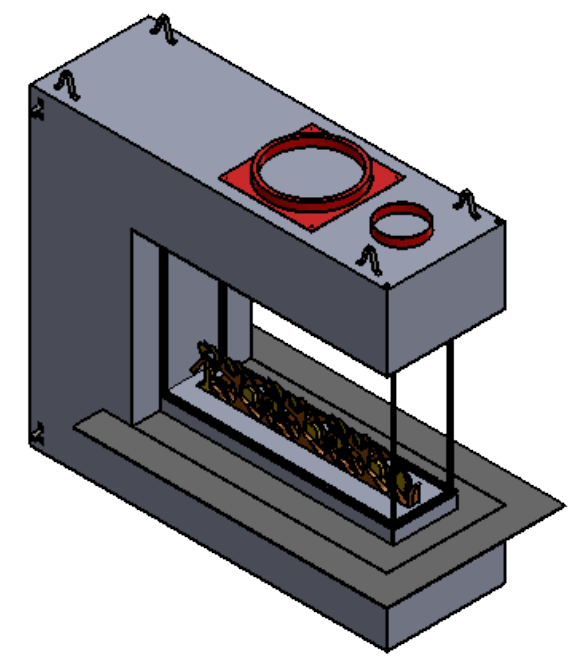
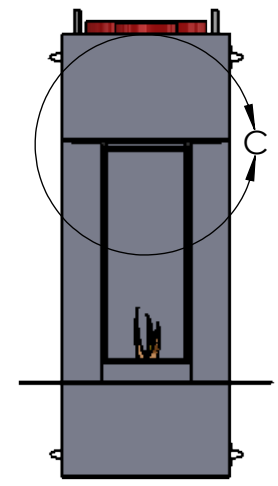
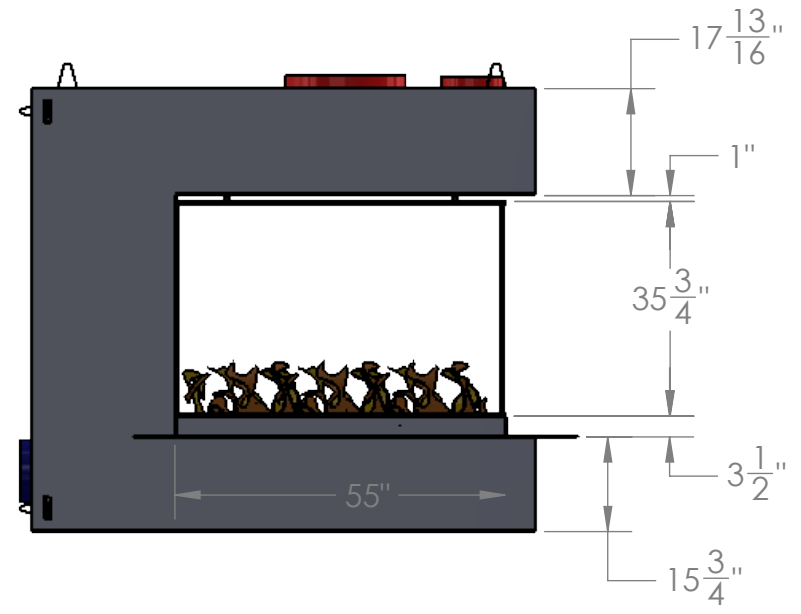
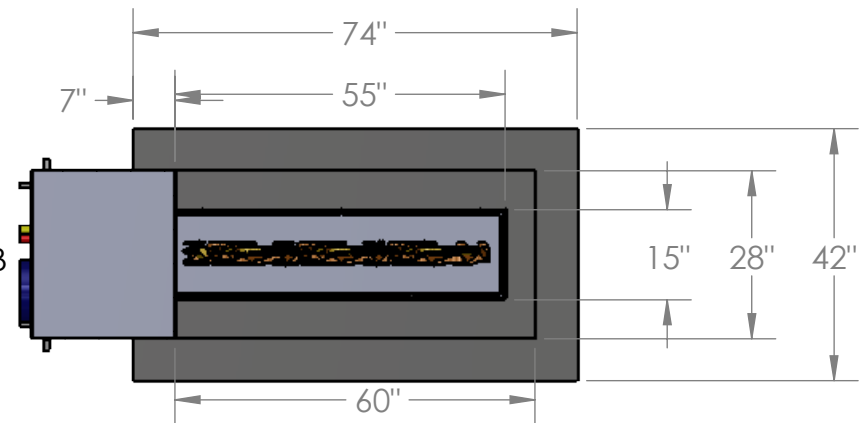
Ø 10" COMBUSTION AIR INTAKE




DO NOT SCALE DRAWING		PROPRIETARY AND CONFIDENTIAL: THE INFORMATION CONTAINED IN THIS DRAWING IS THE SOLE PROPERTY OF ACUCRAFT. ANY REPRODUCTION IN PART OR AS A WHOLE WITHOUT THE WRITTEN PERMISSION OF ACUCRAFT IS PROHIBITED.		 Acucraft Fireplace Systems 19672 172nd Street Big Lake, MN 55309	
UNLESS OTHERWISE SPECIFIED ALL DIMENSIONS ARE IN INCHES		TITLE: CUSTOM PENNINSULA FIREPLACE VALUE BEAU 7017			
DRAWN BY: R.SHEPHERD	DATE: 11/13/2017	SIZE B	DWG. NO. 7017-A-004	REV D	SHEET 2 OF 3

8 7 6 5 4 3 2 1

SECTION B-B



NOTE:
FIRESCREEN MOUNTING BRACKET TO ALLOW THE FIRESCREEN TO
BE REMOVED ONCE HEARTH IS INSTALLED.

DO NOT SCALE DRAWING		PROPRIETARY AND CONFIDENTIAL: THE INFORMATION CONTAINED IN THIS DRAWING IS THE SOLE PROPERTY OF ACUCRAFT. ANY REPRODUCTION IN PART OR AS A WHOLE WITHOUT THE WRITTEN PERMISSION OF ACUCRAFT IS PROHIBITED.		 Acucraft Fireplace Systems 19672 172nd Street Big Lake, MN 55309	
UNLESS OTHERWISE SPECIFIED ALL DIMENSIONS ARE IN INCHES		TITLE: SECTION VIEWS			
DRAWN BY:	DATE: 11/13/2017				
MATERIAL: Material <not specified>	SIZE B	DWG. NO. 7017-A-004	REV D	SHEET 3 OF 3	