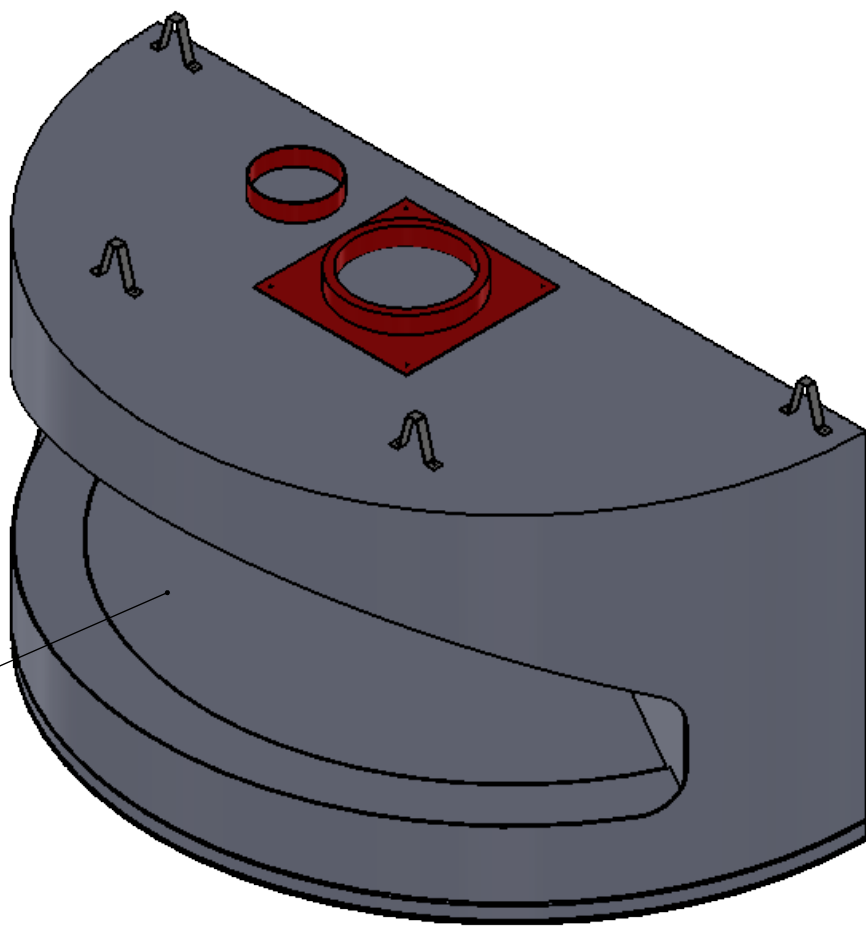



REVISIONS			
REV.	DESCRIPTION	ECO	DATE
A	INITIAL RELEASE	AR	4/9/2018
B	MOVED GAS AND ELECTRIC STUBS AND DECREASED HEAT RELIEF	AR	4/24/2018
C	REVISED PER CUSTOMER REQUEST	AR	5/1/2018



MESDH TO BE COVERED WITH
GLASS MEDIA COLOR TBD

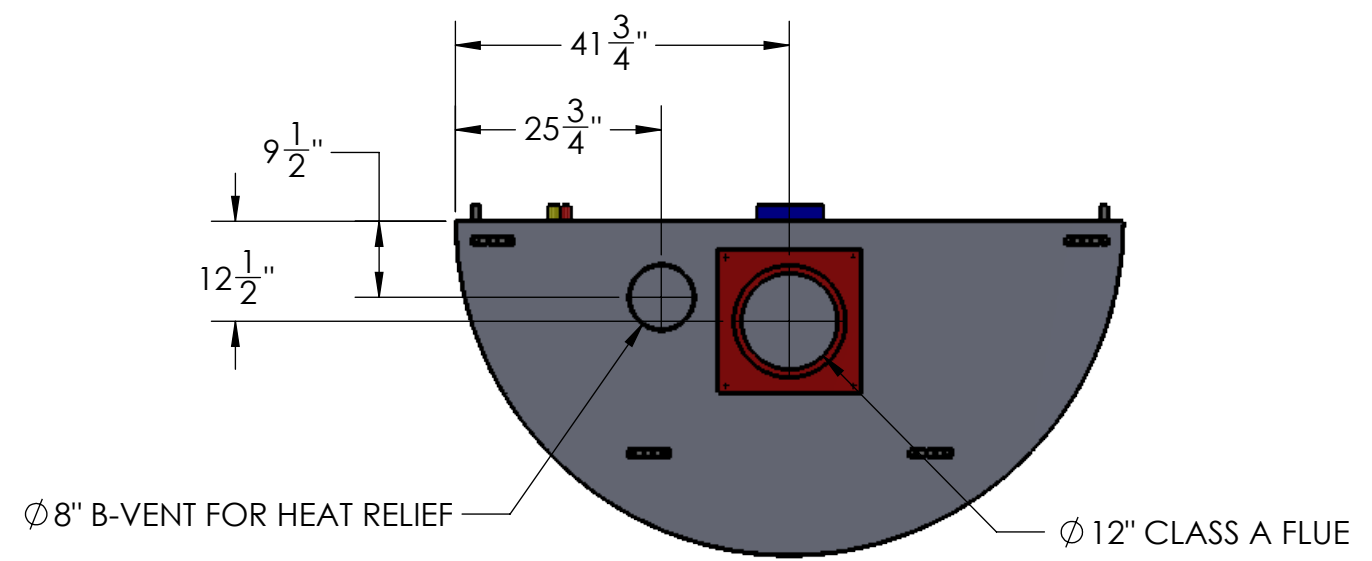
- NOTES:
1. ALL OVERALL DIMENSIONS +/- 1/4"
 2. CLEARANCE TO COMBUSTIBLES TO BE 4" ON TOP AND 2" ON BACK AND SIDES
 3. FRAME AND FIREBOX TO BE FINISHED MATTE BLACK
 4. APPROXIMATE BTUS: 65,000
 5. GAS TYPE: NATURAL GAS

DO NOT SCALE DRAWING		<small>PROPRIETARY AND CONFIDENTIAL:</small> <small>THE INFORMATION CONTAINED IN THIS DRAWING IS THE SOLE PROPERTY OF ACUCRAFT. ANY REPRODUCTION IN PART OR AS A WHOLE WITHOUT THE WRITTEN PERMISSION OF ACUCRAFT IS PROHIBITED.</small>		 Acucraft Fireplace Systems 19672 172nd Street Big Lake, MN 55309
UNLESS OTHERWISE SPECIFIED ALL DIMENSIONS ARE IN INCHES		TITLE: CUSTOM SEMI CIRCULAR KRAUS ANDERSON 7402		
<small>DRAWN BY:</small> A.REDBERG	<small>DATE:</small> 5/1/2018	<small>SIZE</small> B	<small>DWG. NO.</small> 7402-A-003	<small>REV</small> C
<small>MATERIAL:</small>		<small>SHEET</small> 1 <small>OF</small> 3		

8 7 6 5 4 3 2 1

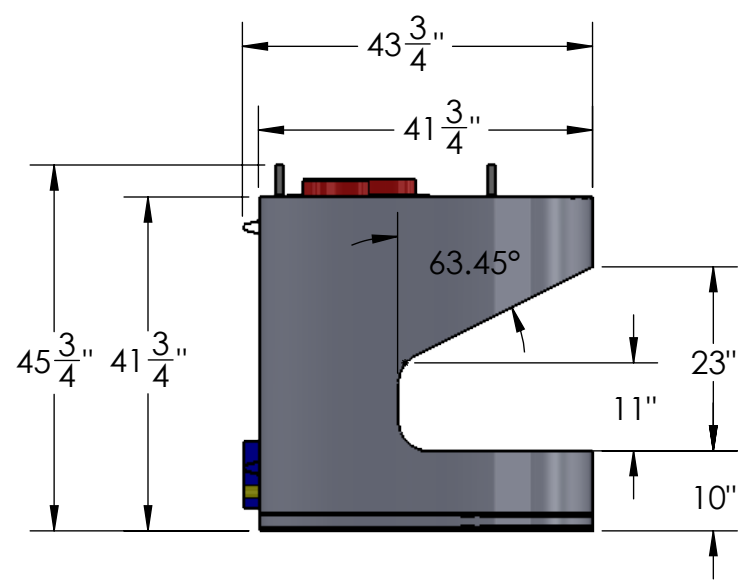
D

D



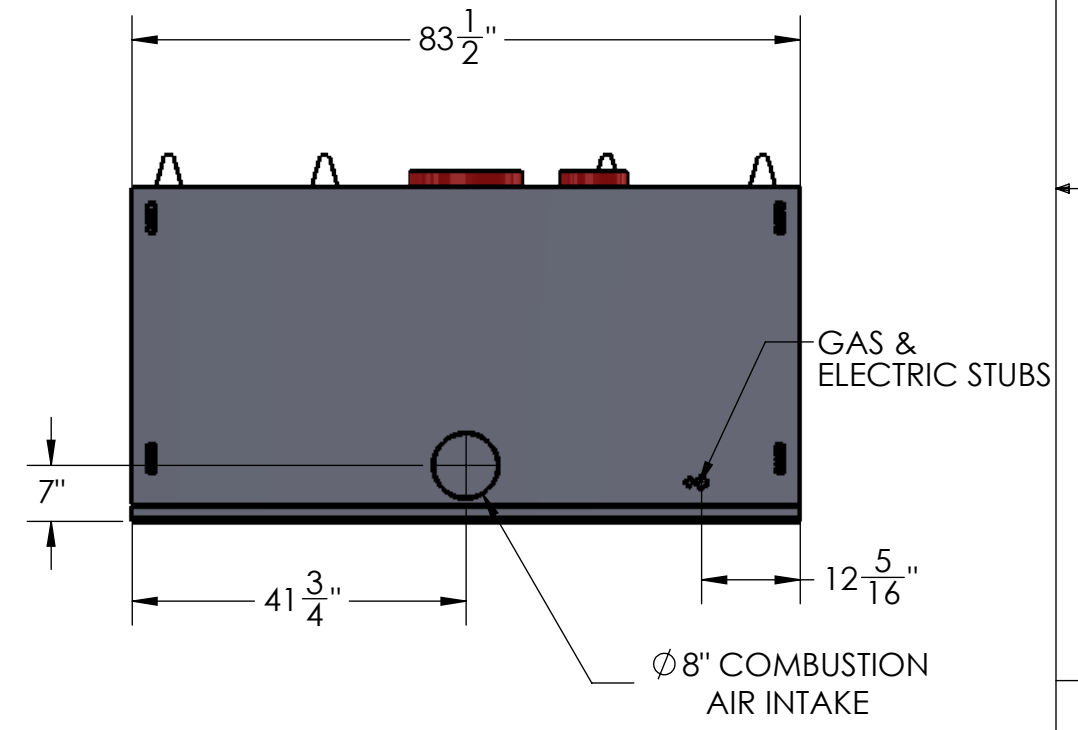
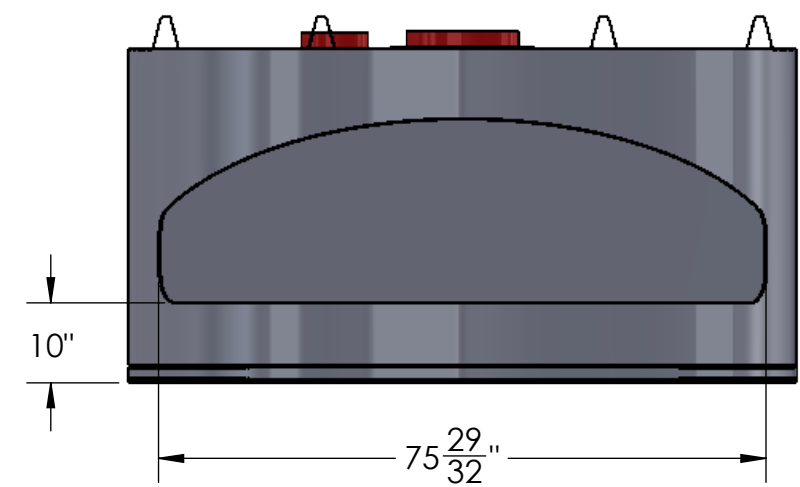
C

C



B


B

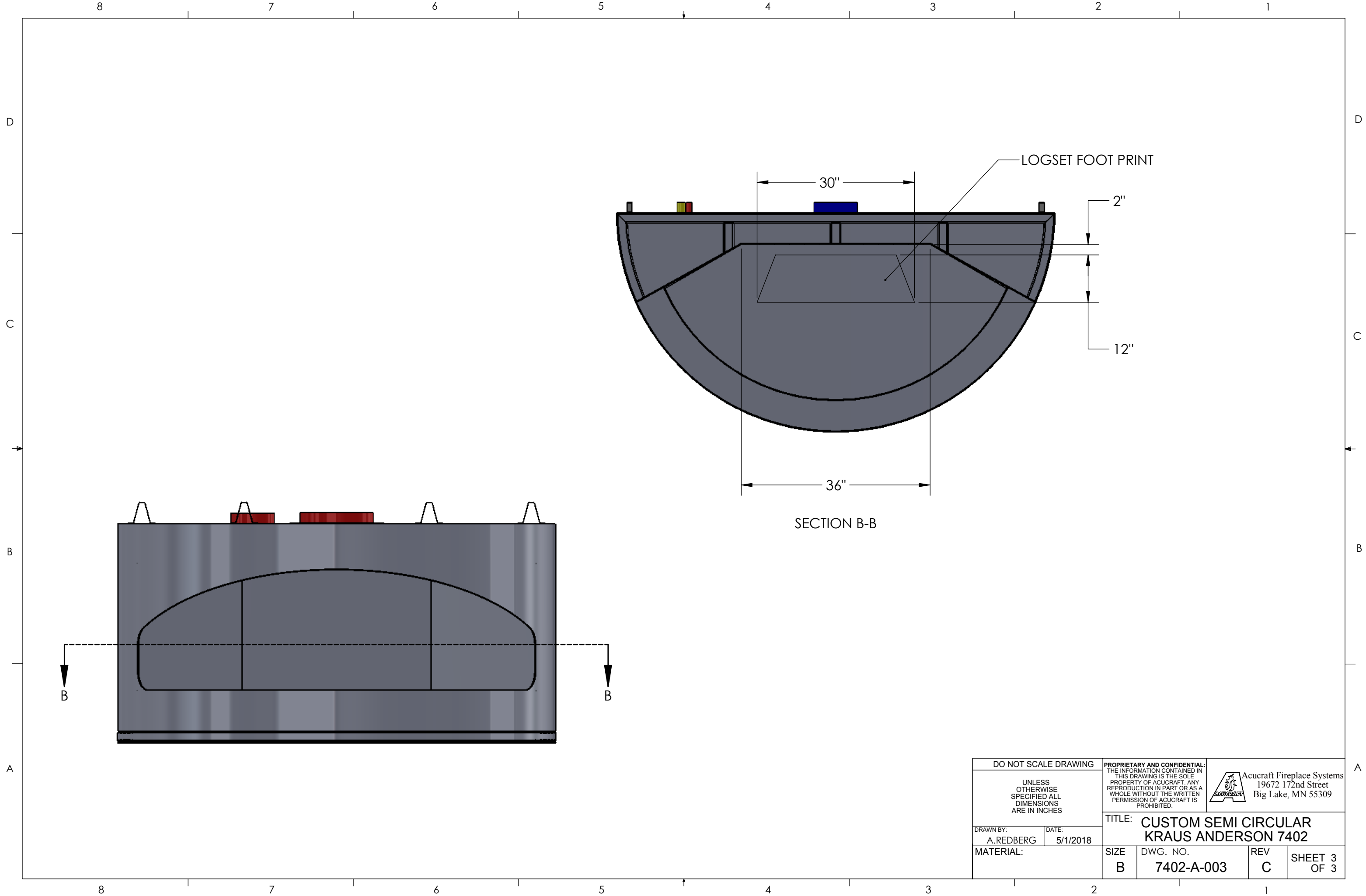



A

A

8 7 6 5 4 3 2 1

DO NOT SCALE DRAWING		PROPRIETARY AND CONFIDENTIAL: THE INFORMATION CONTAINED IN THIS DRAWING IS THE SOLE PROPERTY OF ACUCRAFT. ANY REPRODUCTION IN PART OR AS A WHOLE WITHOUT THE WRITTEN PERMISSION OF ACUCRAFT IS PROHIBITED.		 Acucraft Fireplace Systems 19672 172nd Street Big Lake, MN 55309
UNLESS OTHERWISE SPECIFIED ALL DIMENSIONS ARE IN INCHES		TITLE: CUSTOM SEMI CIRCULAR KRAUS ANDERSON 7402		
DRAWN BY: A. REDBERG	DATE: 5/1/2018	SIZE B	DWG. NO. 7402-A-003	REV C
MATERIAL:				SHEET 2 OF 3



DO NOT SCALE DRAWING		PROPRIETARY AND CONFIDENTIAL: THE INFORMATION CONTAINED IN THIS DRAWING IS THE SOLE PROPERTY OF ACUCRAFT. ANY REPRODUCTION IN PART OR AS A WHOLE WITHOUT THE WRITTEN PERMISSION OF ACUCRAFT IS PROHIBITED.		 Acucraft Fireplace Systems 19672 172nd Street Big Lake, MN 55309
UNLESS OTHERWISE SPECIFIED ALL DIMENSIONS ARE IN INCHES		TITLE: CUSTOM SEMI CIRCULAR KRAUS ANDERSON 7402		
DRAWN BY: A.REDBERG	DATE: 5/1/2018	SIZE B	DWG. NO. 7402-A-003	REV C
MATERIAL:				SHEET 3 OF 3