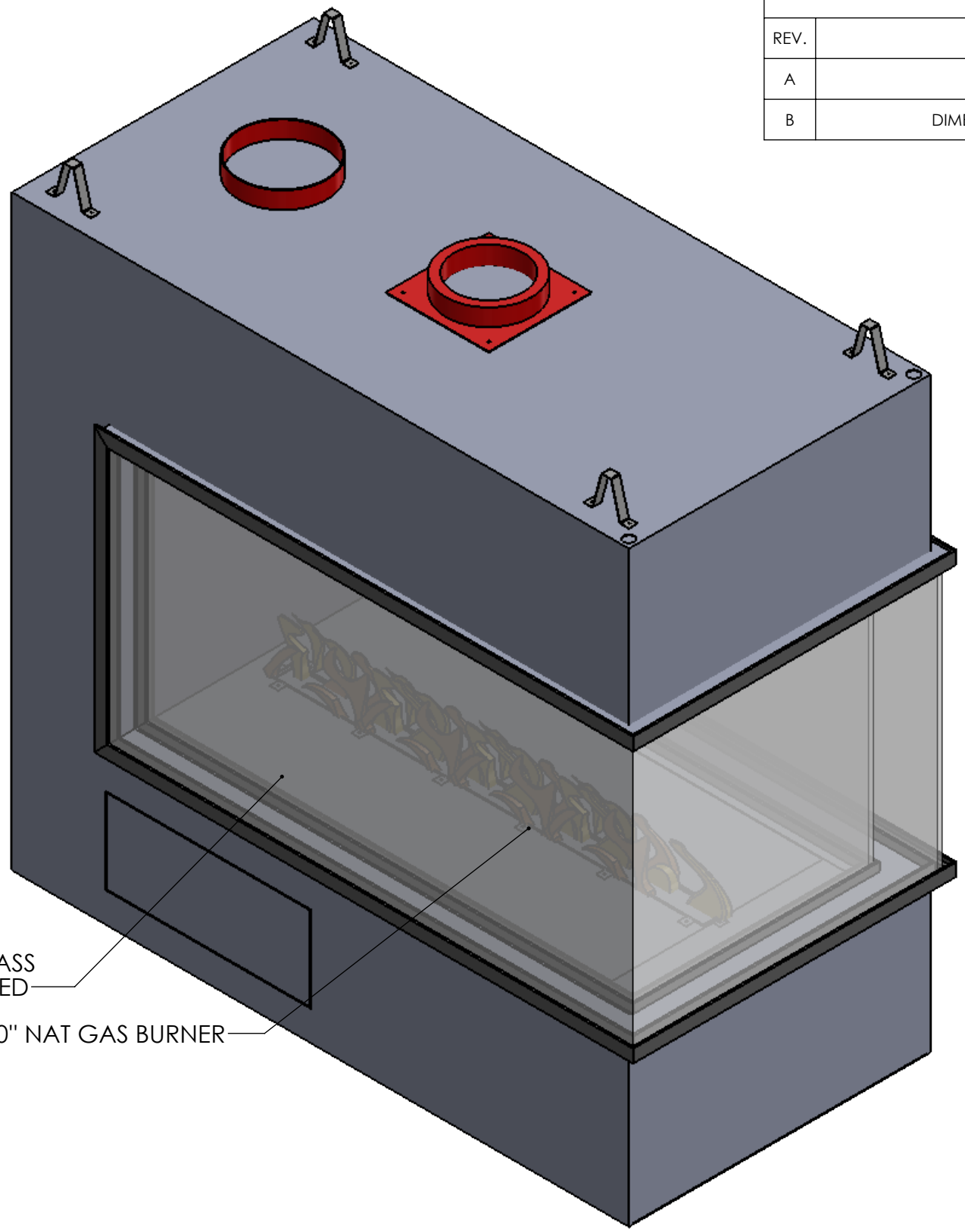


8 7 6 5 4 3 2 1

REVISIONS			
REV.	DESCRIPTION	ECO	DATE
A	INITIAL RELEASE	RS	7/11/2018
B	DIMENSIONAL CHANGE, INTAKES MOVED, PANEL ADDED	RS	7/25/2018


D
C
B
A



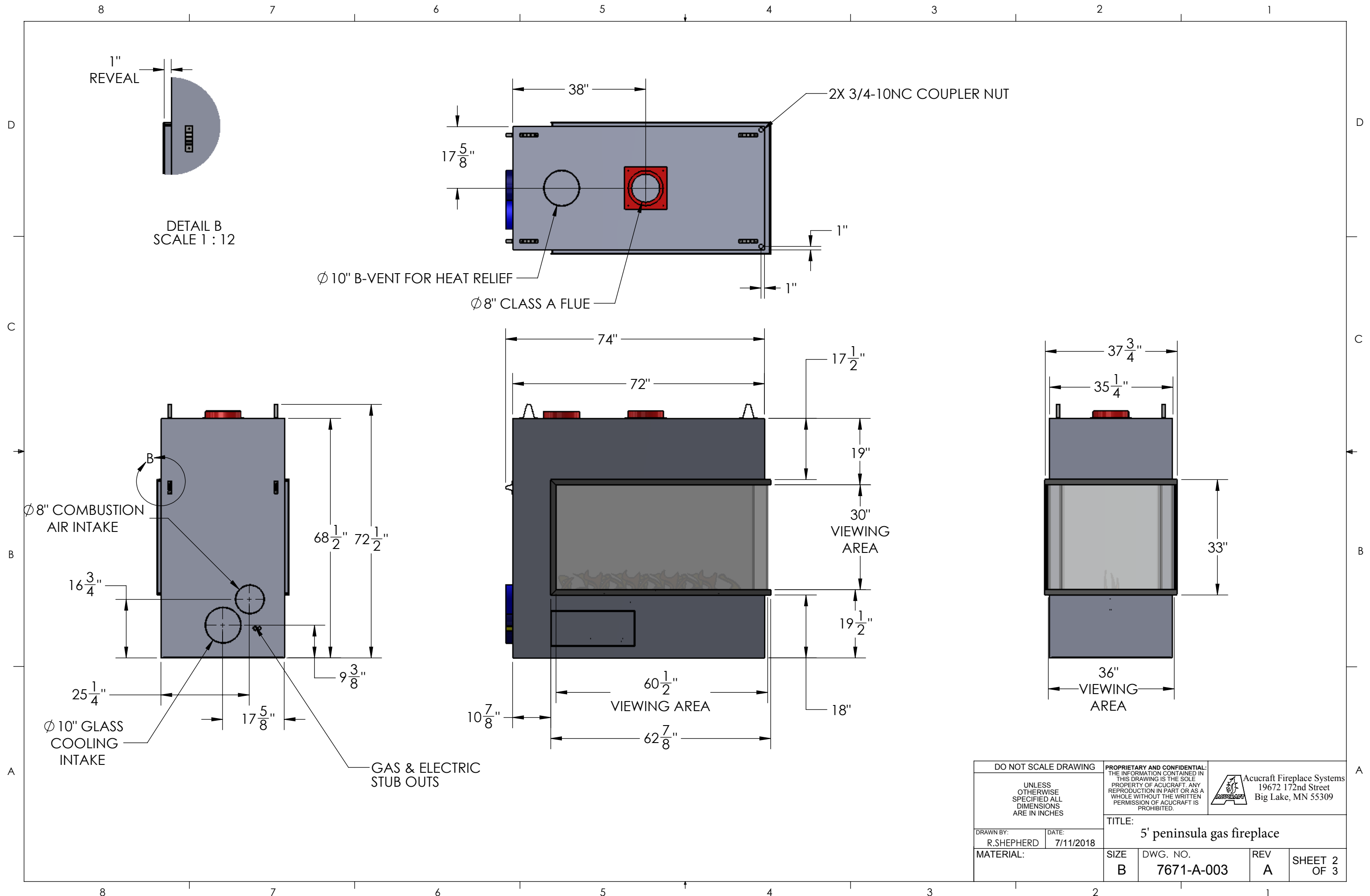
MESH TO BE COVERED WITH GLASS
MEDIA COLOR TO BE DETERMINED


50" NAT GAS BURNER

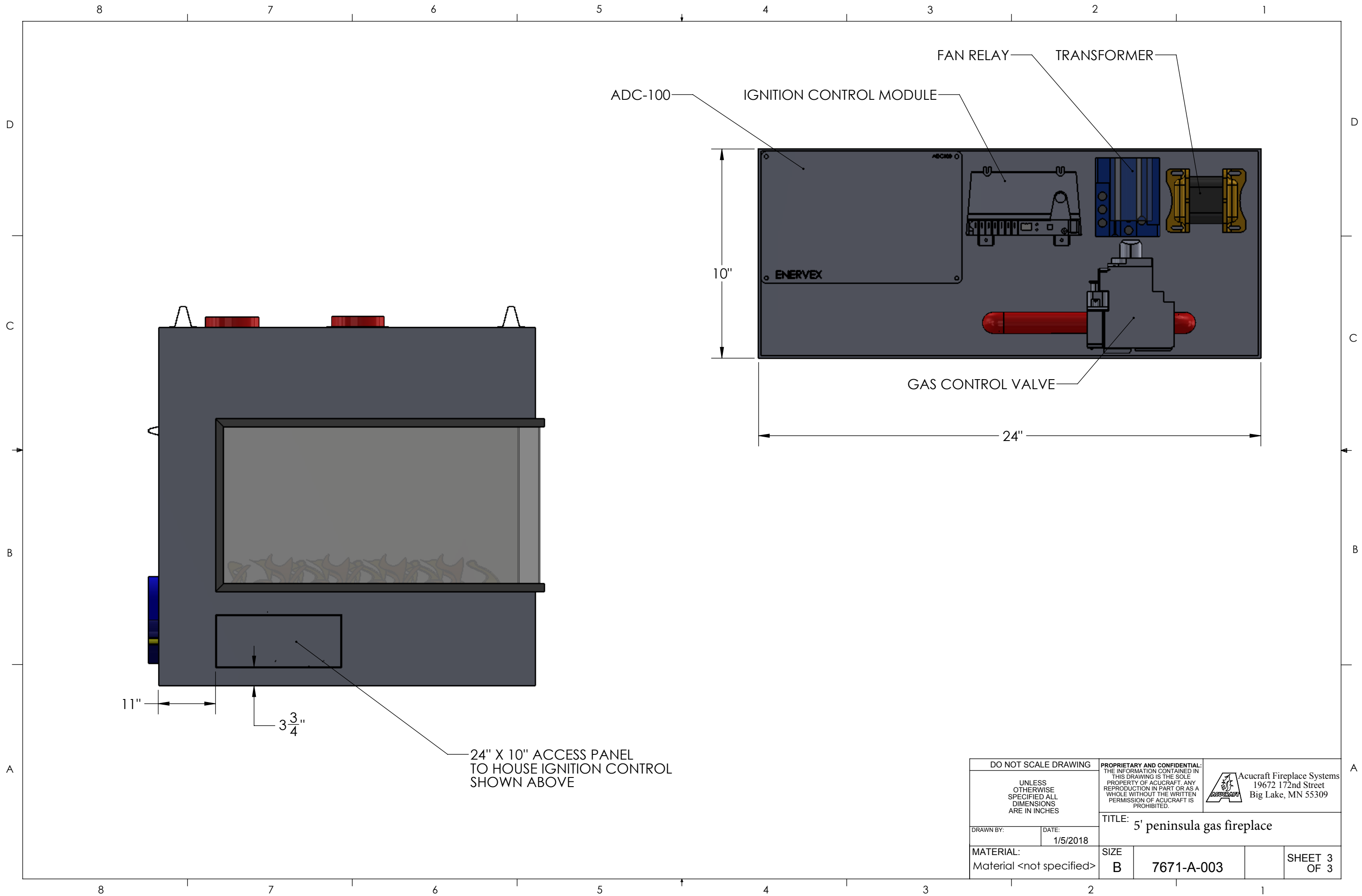
- NOTES:
1. ALL OVERALL DIMENSIONS +/- 1/4"
 2. FIREPLACE HOOD TO BE SUPPORTED FROM ABOVE AS SPECIFIED ON DRAWING.
 3. FINISH MATERIAL TO BE PROVIDED BY OTHERS
 4. APPROXIMATE BTU: 72,000
 5. GAS TYPE: NAT GAS
 6. GLASS TO BE INSTALLED BY OTHERS


DO NOT SCALE DRAWING		<small>PROPRIETARY AND CONFIDENTIAL: THE INFORMATION CONTAINED IN THIS DRAWING IS THE SOLE PROPERTY OF ACUCRAFT. ANY REPRODUCTION IN PART OR AS A WHOLE WITHOUT THE WRITTEN PERMISSION OF ACUCRAFT IS PROHIBITED.</small>		 Acucraft Fireplace Systems 19672 172nd Street Big Lake, MN 55309
<small>UNLESS OTHERWISE SPECIFIED ALL DIMENSIONS ARE IN INCHES</small>		TITLE: 5' peninsula gas fireplace		
<small>DRAWN BY:</small> R.SHEPHERD	<small>DATE:</small> 7/24/2018	<small>SIZE</small> B	<small>DWG. NO.</small> 7671-A-003	<small>REV</small> A
<small>MATERIAL:</small>		<small>SHEET</small> 1 <small>OF</small> 3		

8 7 6 5 4 3 2 1



DO NOT SCALE DRAWING		PROPRIETARY AND CONFIDENTIAL: THE INFORMATION CONTAINED IN THIS DRAWING IS THE SOLE PROPERTY OF ACUCRAFT. ANY REPRODUCTION IN PART OR AS A WHOLE WITHOUT THE WRITTEN PERMISSION OF ACUCRAFT IS PROHIBITED.		 Acucraft Fireplace Systems 19672 172nd Street Big Lake, MN 55309
UNLESS OTHERWISE SPECIFIED ALL DIMENSIONS ARE IN INCHES		TITLE: 5' peninsula gas fireplace		
DRAWN BY: R.SHEPHERD	DATE: 7/11/2018	SIZE B	DWG. NO. 7671-A-003	REV A
MATERIAL:				SHEET 2 OF 3



DO NOT SCALE DRAWING		PROPRIETARY AND CONFIDENTIAL: THE INFORMATION CONTAINED IN THIS DRAWING IS THE SOLE PROPERTY OF ACUCRAFT. ANY REPRODUCTION IN PART OR AS A WHOLE WITHOUT THE WRITTEN PERMISSION OF ACUCRAFT IS PROHIBITED.		 Acucraft Fireplace Systems 19672 172nd Street Big Lake, MN 55309
UNLESS OTHERWISE SPECIFIED ALL DIMENSIONS ARE IN INCHES		TITLE: 5' peninsula gas fireplace		
DRAWN BY:	DATE:	SIZE		SHEET 3 OF 3
	1/5/2018	B		
MATERIAL: Material <not specified>		7671-A-003		