


REVISIONS			
REV.	DESCRIPTION	ECO	DATE
A	INITIAL RELEASE	AR	6/13/2018
B	REVISED PER CUSTOMER REQUEST	AR	7/2/2018
C	REVISED PER CUSTOMER MARKUPS	AR	7/11/2018
D	REVISED PER CUSTOMER MARKUPS	AR	7/17/2018
E	REVISE PER CUSTOMER REQUEST	AR	7/25/2018

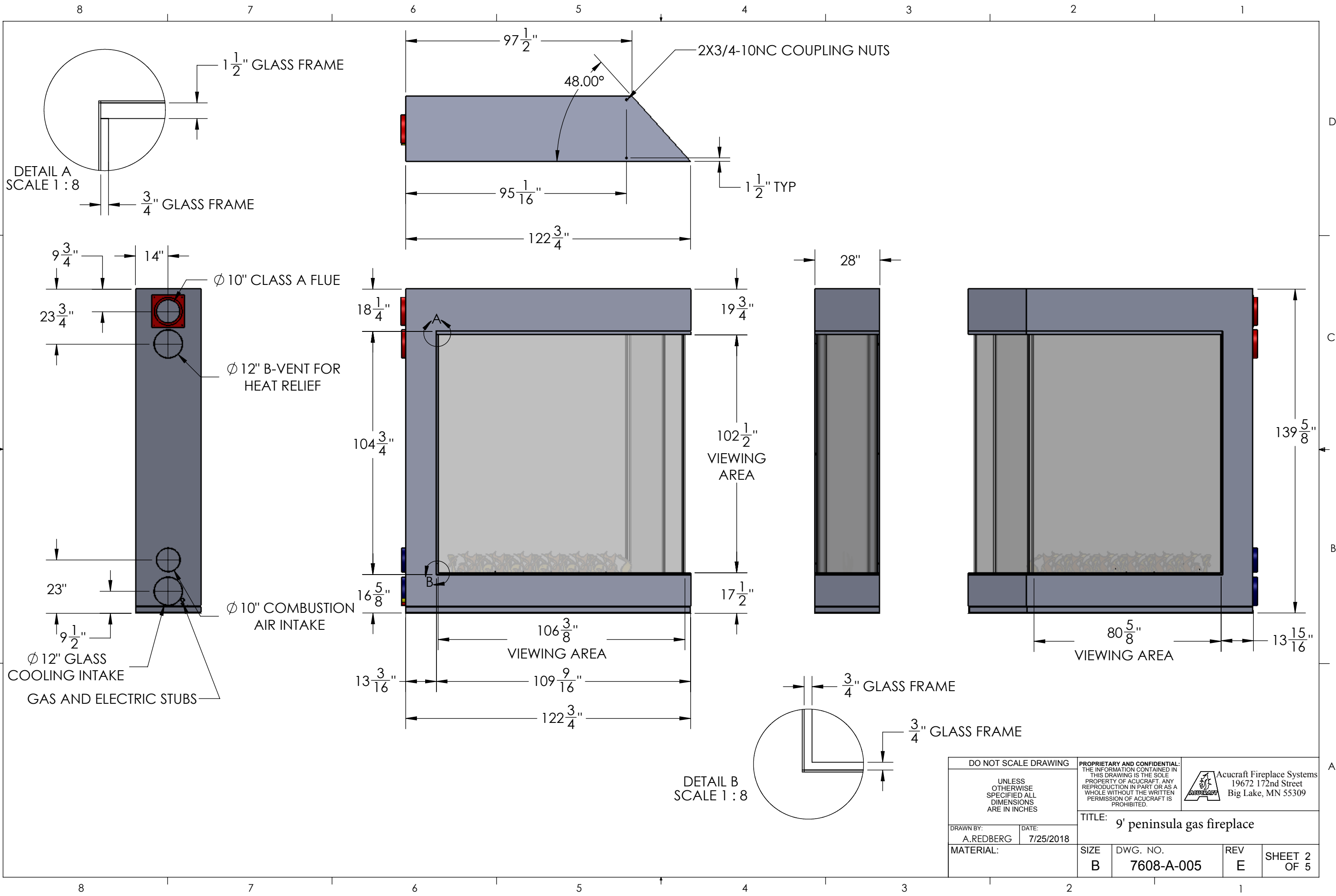
NOTES:


1. ALL OVERALL DIMENSIONS +/- 1/4"
2. FIREPLACE HOOD TO BE SUPPORTED FROM ABOVE AS SPECIFIED ON DRAWING.
3. FINISH MATERIAL TO BE PROVIDED BY OTHERS
4. APPROXIMATE BTU: 92,000
5. GAS TYPE: NATURAL GAS
6. GLASS TO BE INSTALLED BY OTHERS
7. MESH COVERS ON BOTTOM, SIDES, AND TOP
8. ALL EXPOSED FIREPLACE PARTS TO BE FINISH MATTE BLACK

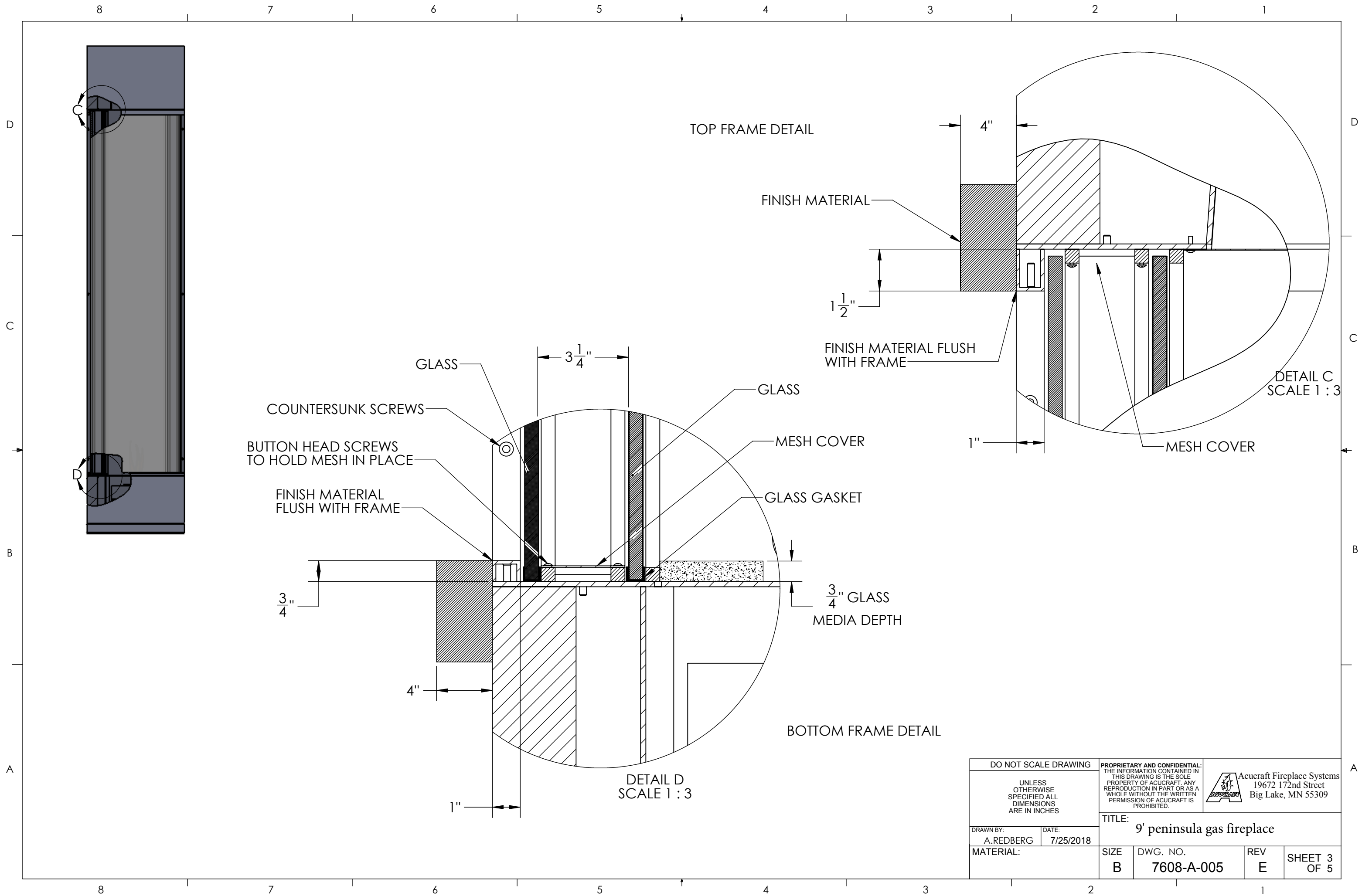
76" BURNER

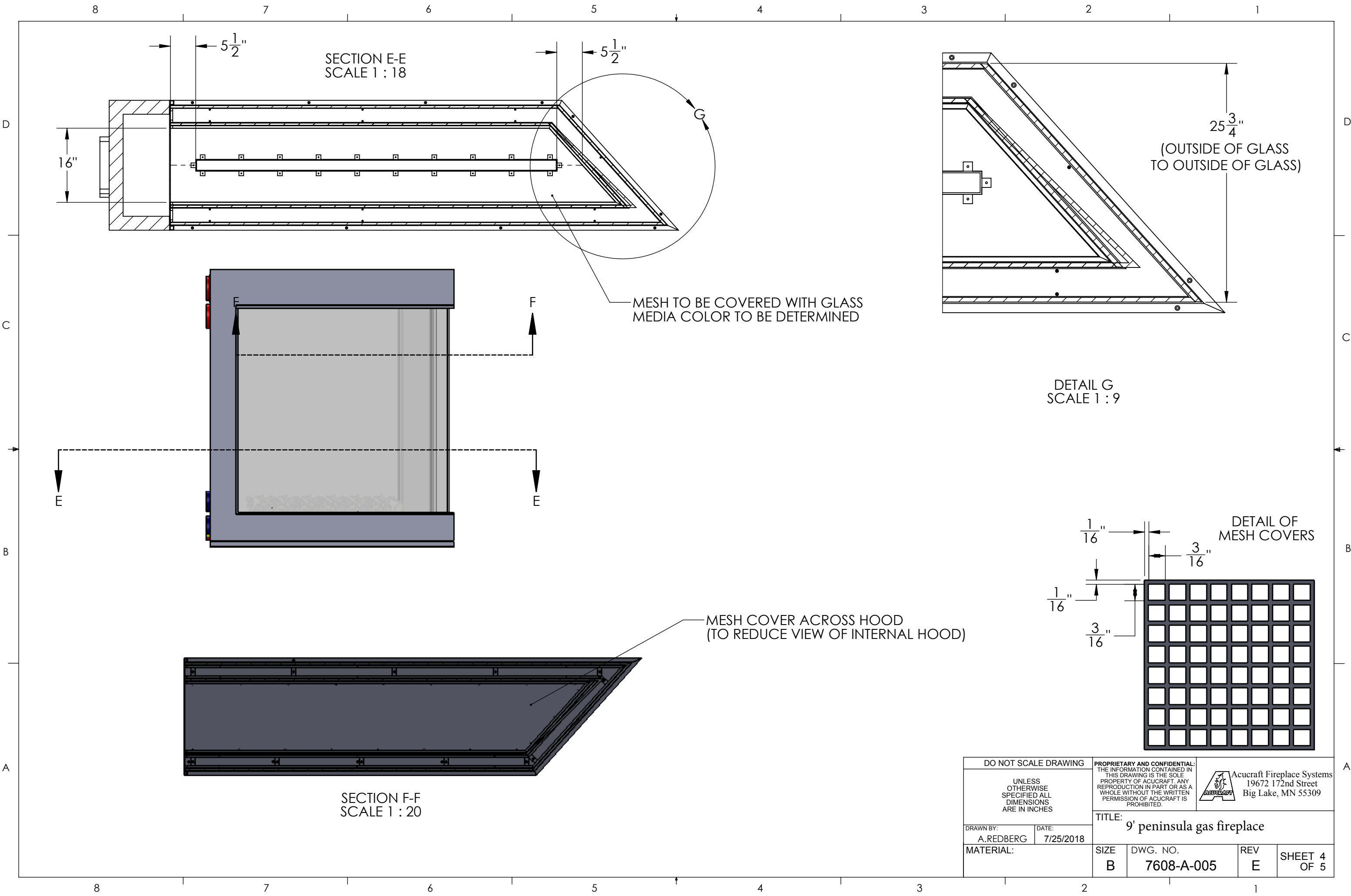
MESH TO BE COVERED WITH GLASS
MEDIA COLOR TO BE DETERMINED


DO NOT SCALE DRAWING		<small>PROPRIETARY AND CONFIDENTIAL: THE INFORMATION CONTAINED IN THIS DRAWING IS THE SOLE PROPERTY OF ACUCRAFT. ANY REPRODUCTION IN PART OR AS A WHOLE WITHOUT THE WRITTEN PERMISSION OF ACUCRAFT IS PROHIBITED.</small>		 Acucraft Fireplace Systems 19672 172nd Street Big Lake, MN 55309
UNLESS OTHERWISE SPECIFIED ALL DIMENSIONS ARE IN INCHES		TITLE: 9' peninsula gas fireplace		
<small>DRAWN BY:</small> A.REDBERG	<small>DATE:</small> 7/25/2018	<small>SIZE</small> B	<small>DWG. NO.</small> 7608-A-005	<small>REV</small> E
<small>MATERIAL:</small>		<small>SHEET</small> 1	<small>OF</small> 5	



DO NOT SCALE DRAWING		PROPRIETARY AND CONFIDENTIAL: THE INFORMATION CONTAINED IN THIS DRAWING IS THE SOLE PROPERTY OF ACUCRAFT. ANY REPRODUCTION IN PART OR AS A WHOLE WITHOUT THE WRITTEN PERMISSION OF ACUCRAFT IS PROHIBITED.		 Acucraft Fireplace Systems 19672 172nd Street Big Lake, MN 55309
UNLESS OTHERWISE SPECIFIED ALL DIMENSIONS ARE IN INCHES		TITLE: 9' peninsula gas fireplace		
DRAWN BY: A. REDBERG	DATE: 7/25/2018	SIZE B	DWG. NO. 7608-A-005	REV E
MATERIAL:				SHEET 2 OF 5



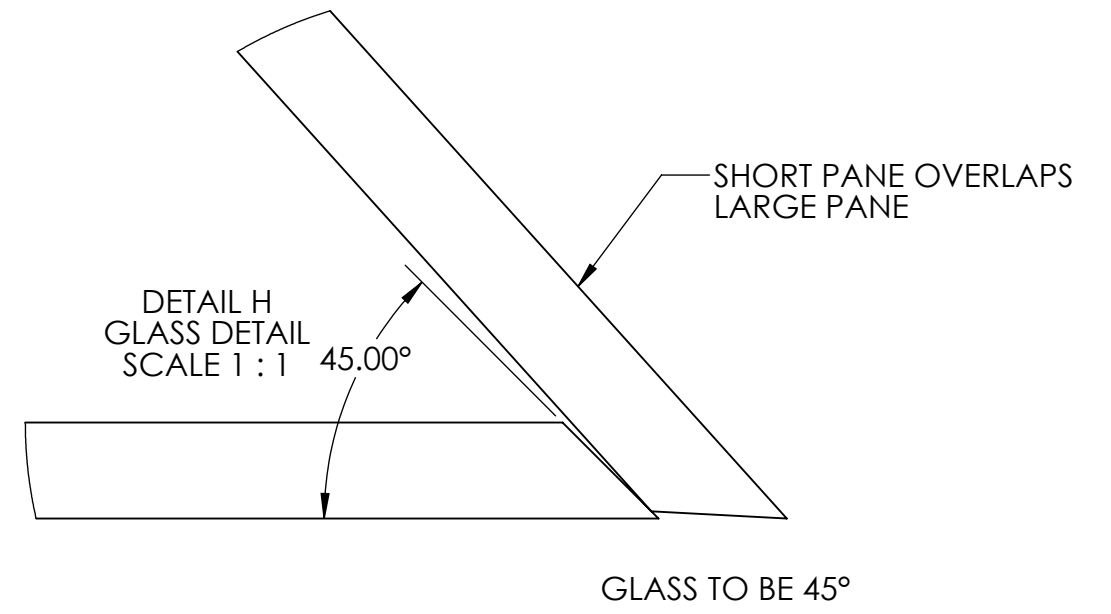
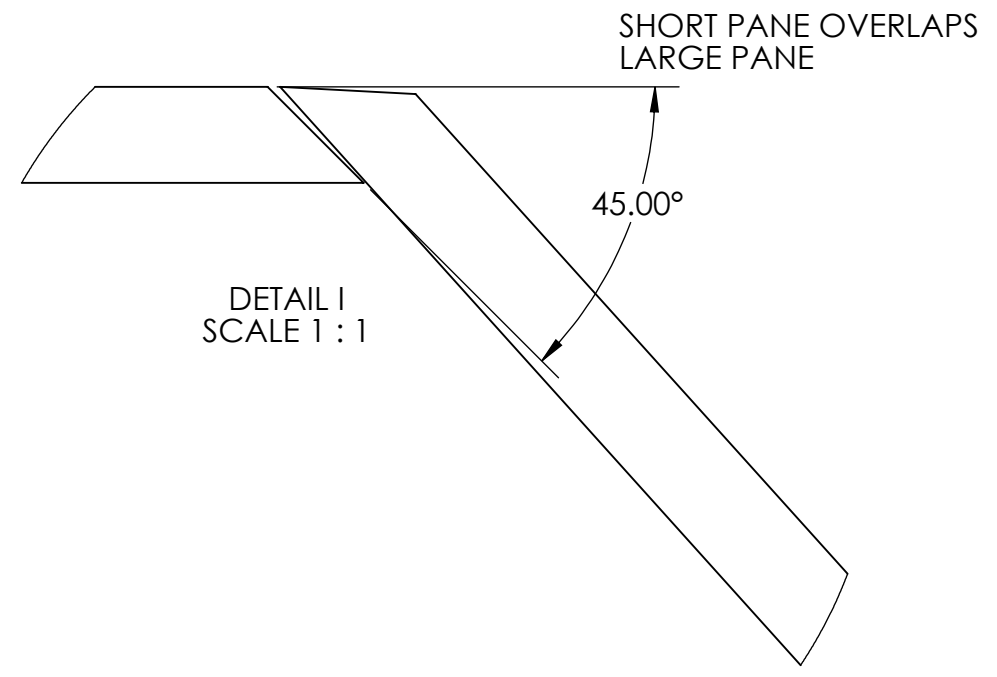
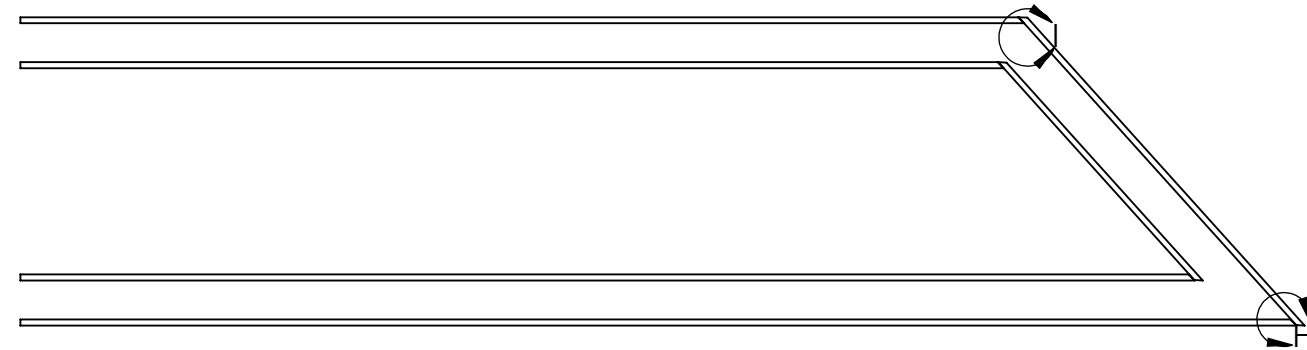



DO NOT SCALE DRAWING		PROPRIETARY AND CONFIDENTIAL: THE INFORMATION CONTAINED IN THIS DRAWING IS THE SOLE PROPERTY OF ACUCRAFT. ANY REPRODUCTION IN PART OR AS A WHOLE WITHOUT THE WRITTEN PERMISSION OF ACUCRAFT IS PROHIBITED.		 Acucraft Fireplace Systems 19672 172nd Street Big Lake, MN 55309
UNLESS OTHERWISE SPECIFIED ALL DIMENSIONS ARE IN INCHES		TITLE: 9' peninsula gas fireplace		
DRAWN BY: A. REDBERG	DATE: 7/25/2018	SIZE B	DWG. NO. 7608-A-005	REV E
MATERIAL:				SHEET 4 OF 5

8 7 6 5 4 3 2 1

D
C
B
A

D
C
B
A



DO NOT SCALE DRAWING		PROPRIETARY AND CONFIDENTIAL: THE INFORMATION CONTAINED IN THIS DRAWING IS THE SOLE PROPERTY OF ACUCRAFT. ANY REPRODUCTION IN PART OR AS A WHOLE WITHOUT THE WRITTEN PERMISSION OF ACUCRAFT IS PROHIBITED.		 Acucraft Fireplace Systems 19672 172nd Street Big Lake, MN 55309	
UNLESS OTHERWISE SPECIFIED ALL DIMENSIONS ARE IN INCHES		TITLE: 9' peninsula gas fireplace			
DRAWN BY: A.REDBERG	DATE: 7/25/2018	SIZE B	DWG. NO. 7608-A-005	REV E	SHEET 5 OF 5

8 7 6 5 4 3 2 1