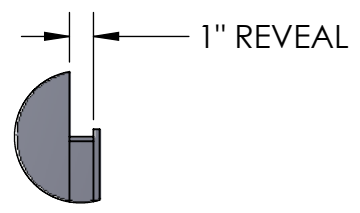
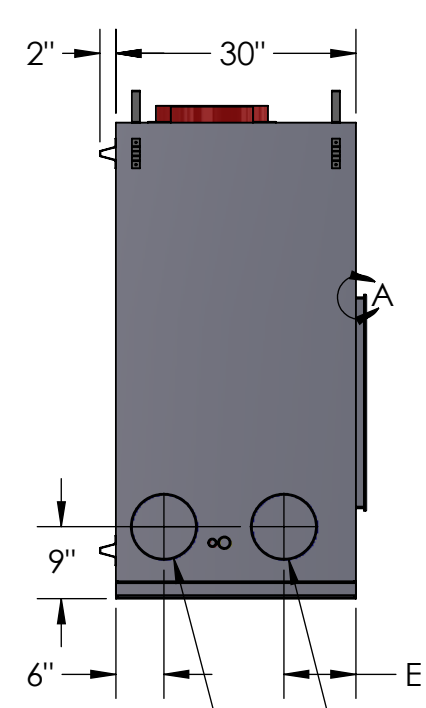
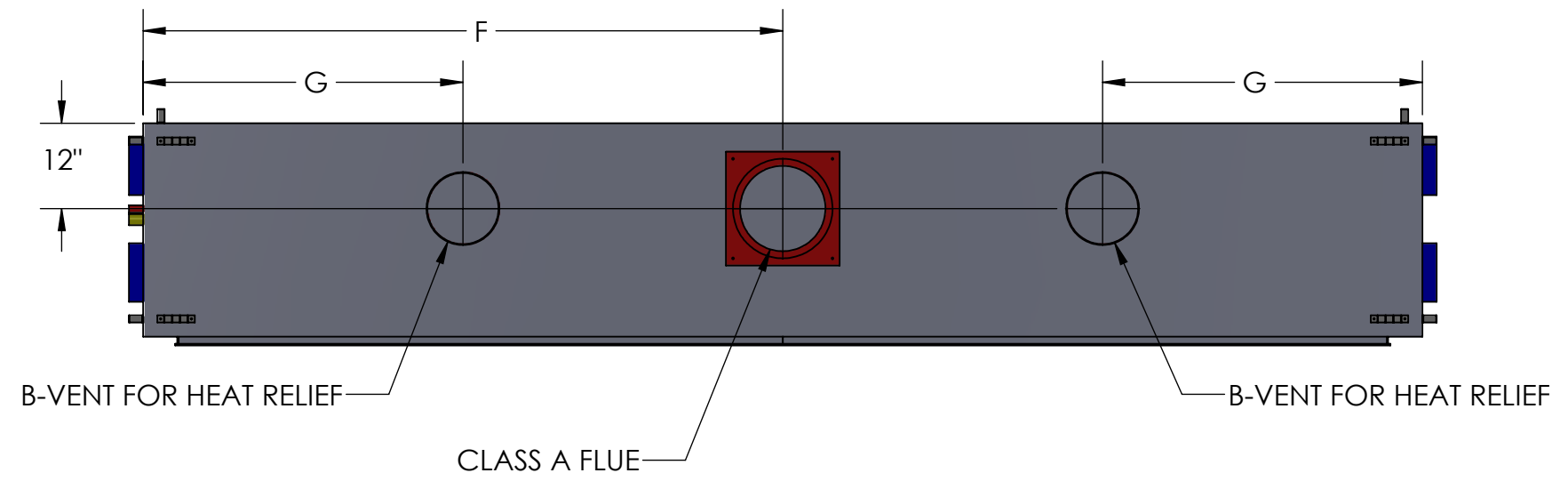


8 7 6 5 4 3 2 1

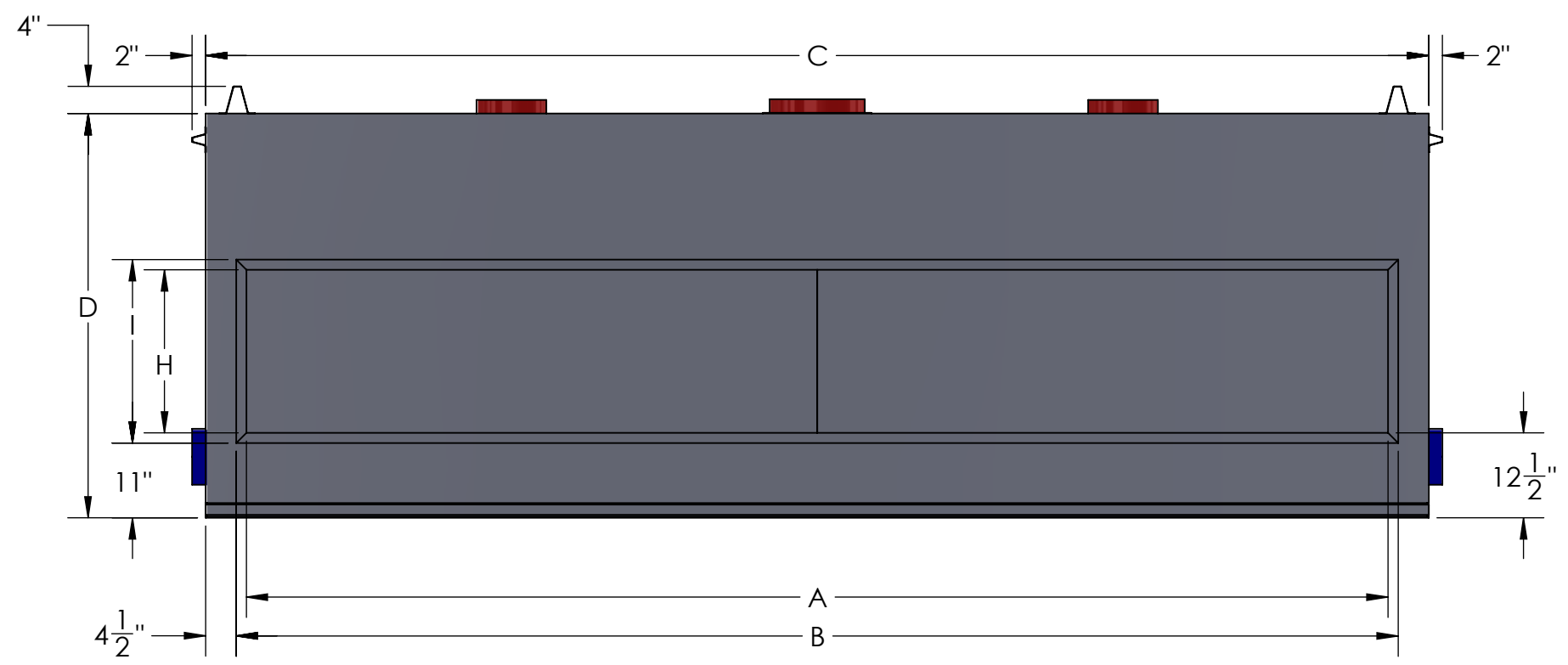


DETAIL A
SCALE 1 : 8



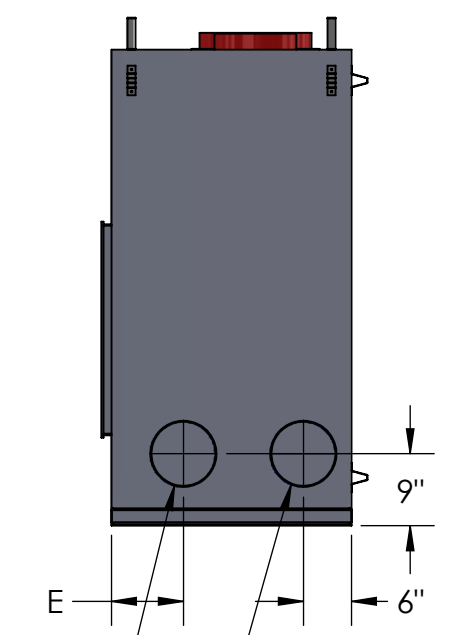
GLASS COOLING
INTAKE #1

COMBUSTION
AIR INTAKE #1



GLASS COOLING
INTAKE #2

COMBUSTION
AIR INTAKE #2



8 7 6 5 4 3 2 1

D
C
B
A

D
C
B
A