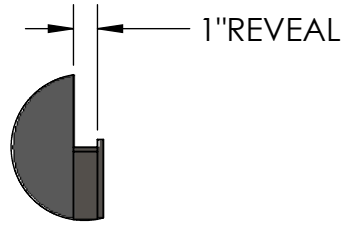
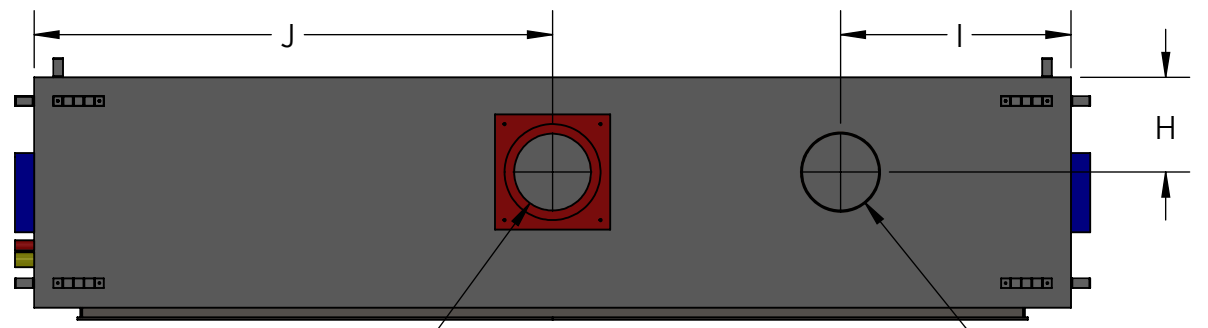


8 7 6 5 4 3 2 1

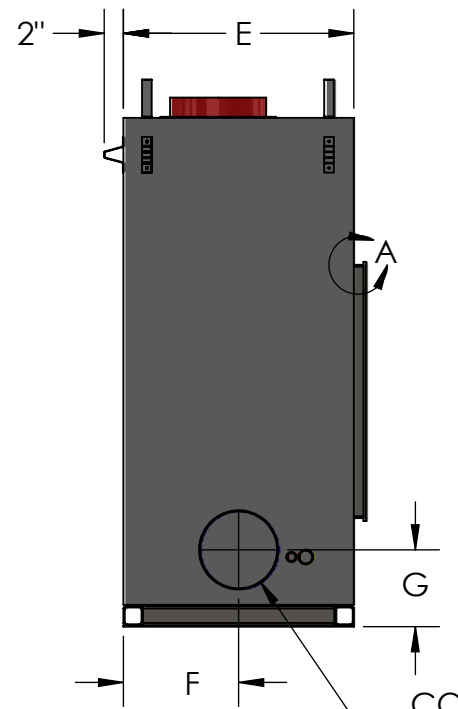


DETAIL A  
SCALE 1 : 8

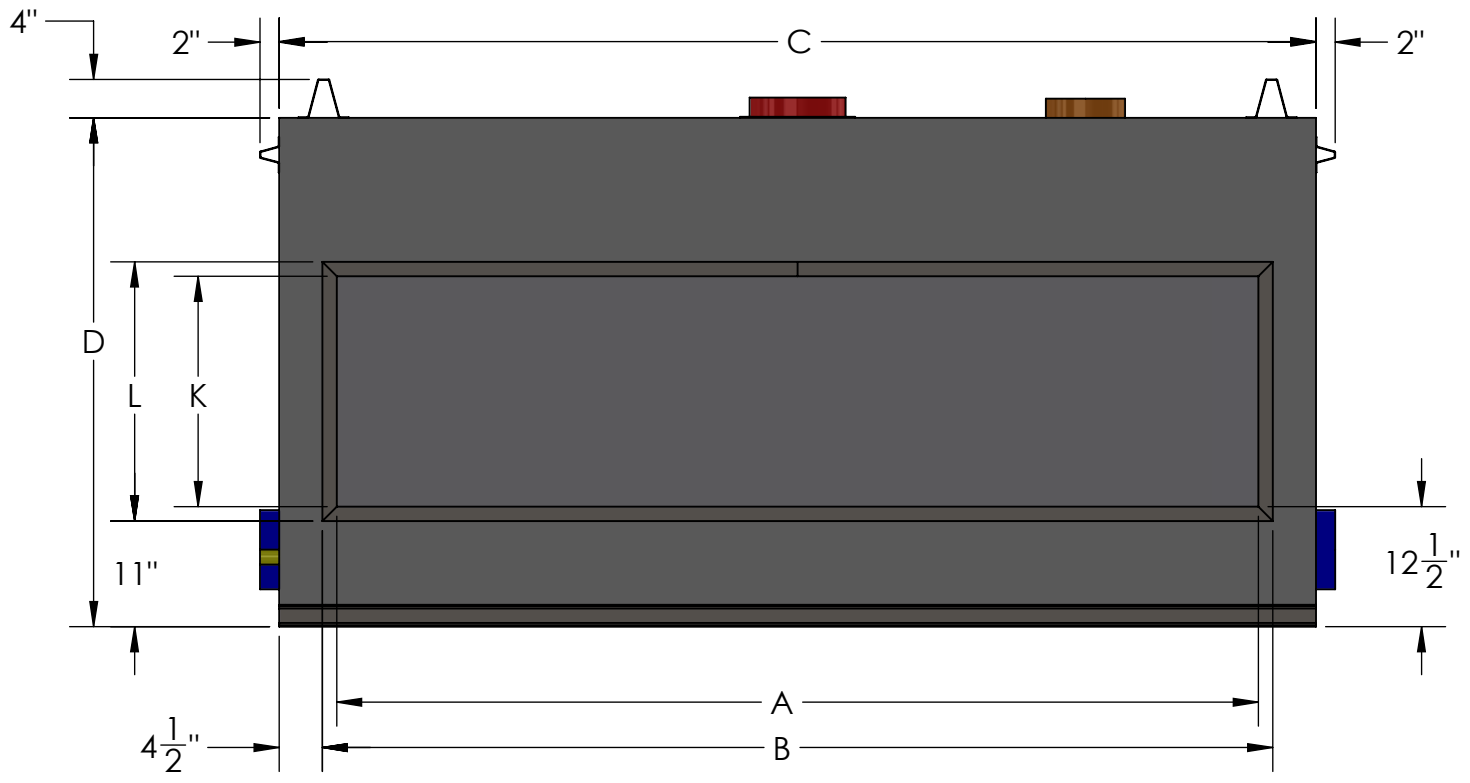


CLASS A FLUE

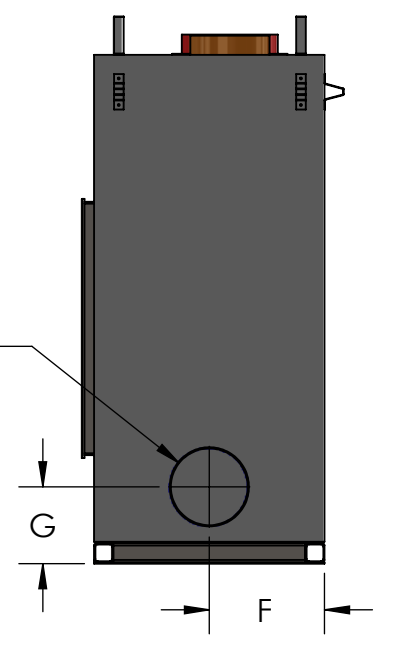
B-VENT FOR HEAT RELIEF



COMBUSTION  
AIR INTAKE



GLASS  
COOLING INTAKE



D

D

C

C

B

B

A

A

8 7 6 5 4 3 2 1