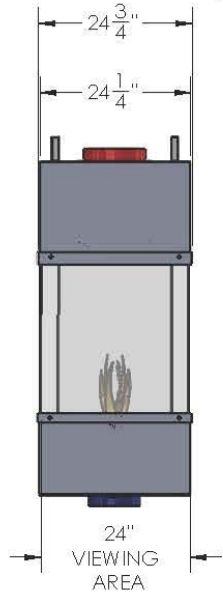
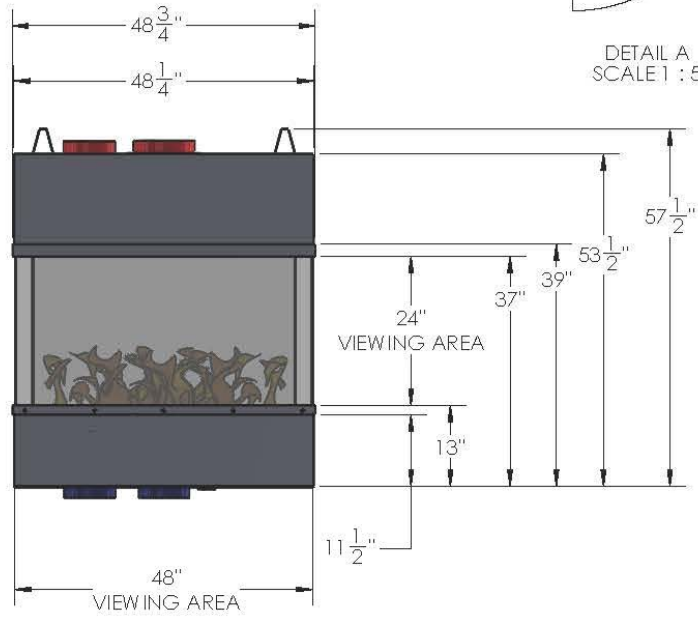
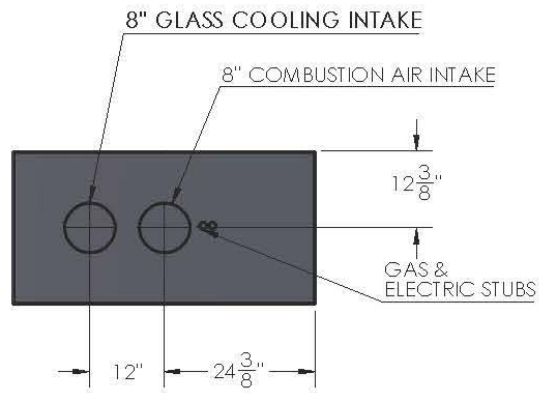
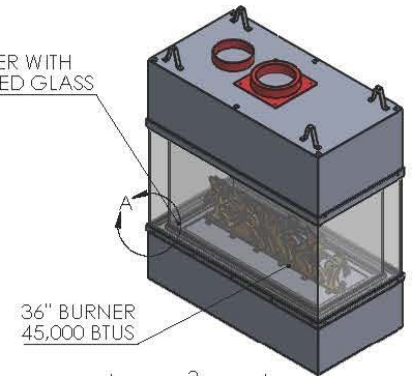
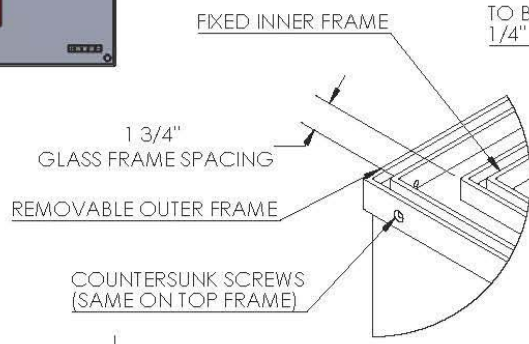
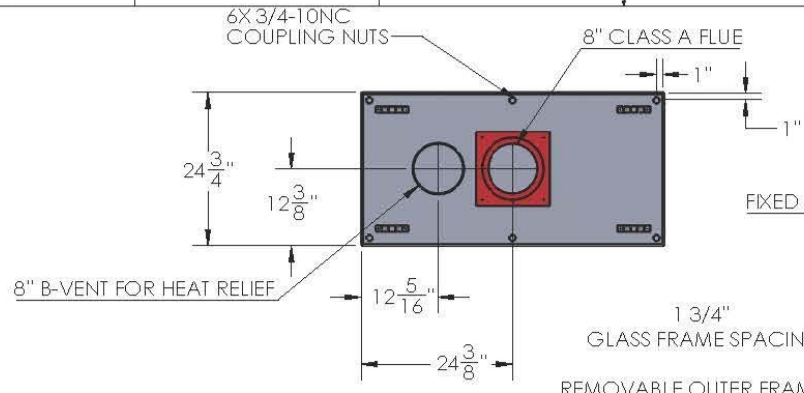



REV	DESCRIPTION	ECO	DATE
A	INITIAL RELEASE	AR	4-3-17
B	ADDED GLASS COOLING	AR	4-10-17
C	REVISE GLASS FRAME	AR	5-4-17



- NOTES:
- HOOD MUST BE SUPPORT FROM ABOVE W/ 6X 3/4-10NC COUPLING NUTS
 - GLASS FRAME AND INTERIOR OF FIREBOX TO BE PAINTED MATTE BLACK

DO NOT SCALE DRAWING		UNLESS OTHERWISE SPECIFIED ALL DIMENSIONS ARE IN INCHES		PROPRIETARY AND CONFIDENTIAL: THE INFORMATION CONTAINED IN THIS DRAWING IS THE SOLE PROPERTY OF ACUCRAFT. ANY REPRODUCTION IN PART OR AS A WHOLE WITHOUT THE WRITTEN PERMISSION OF ACUCRAFT IS PROHIBITED.		 Acucraft Fireplace Systems 19672 172nd STREET Big Lake, MN 55309	
DRAWN BY: A. REDBERG		DATE: 5/4/2017		TITLE: INFINITY4			
MATERIAL:		SIZE B	DWG. NO. 0566-A-003	REV C	SHEET 1 OF 1		