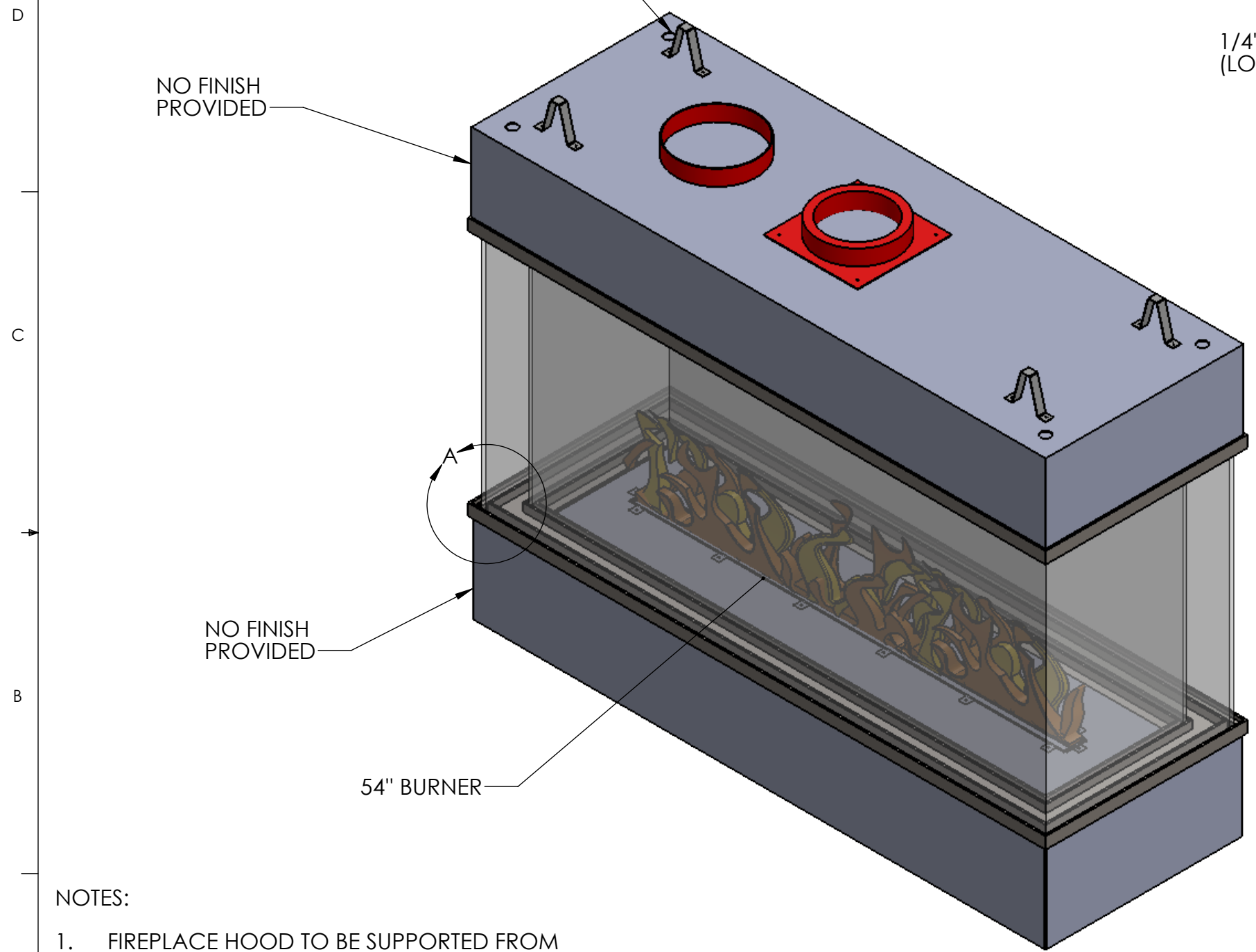


8 7 6 5 4 3 2 1

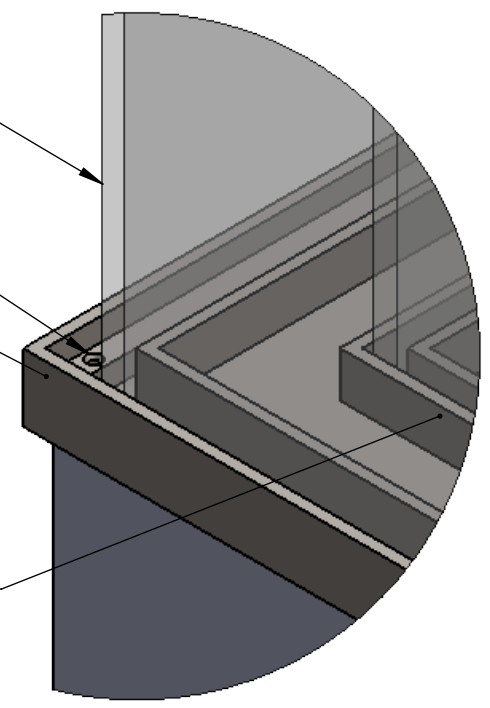
REVISIONS			
REV.	DESCRIPTION	ECO	DATE
A	INITIAL RELEASE	AR	10/20/2017
B	REVISED HOOD HEIGHT	AR	10/26/2017



1/4" CLEAR TEMPERED GLASS
(LONG PANES OVERLAP SHORT PANES)

COUNTERSUNK BOLTS
REMOVABLE OUTER FRAME

FIXED INNER FRAME



DETAIL A
SCALE 1 : 3

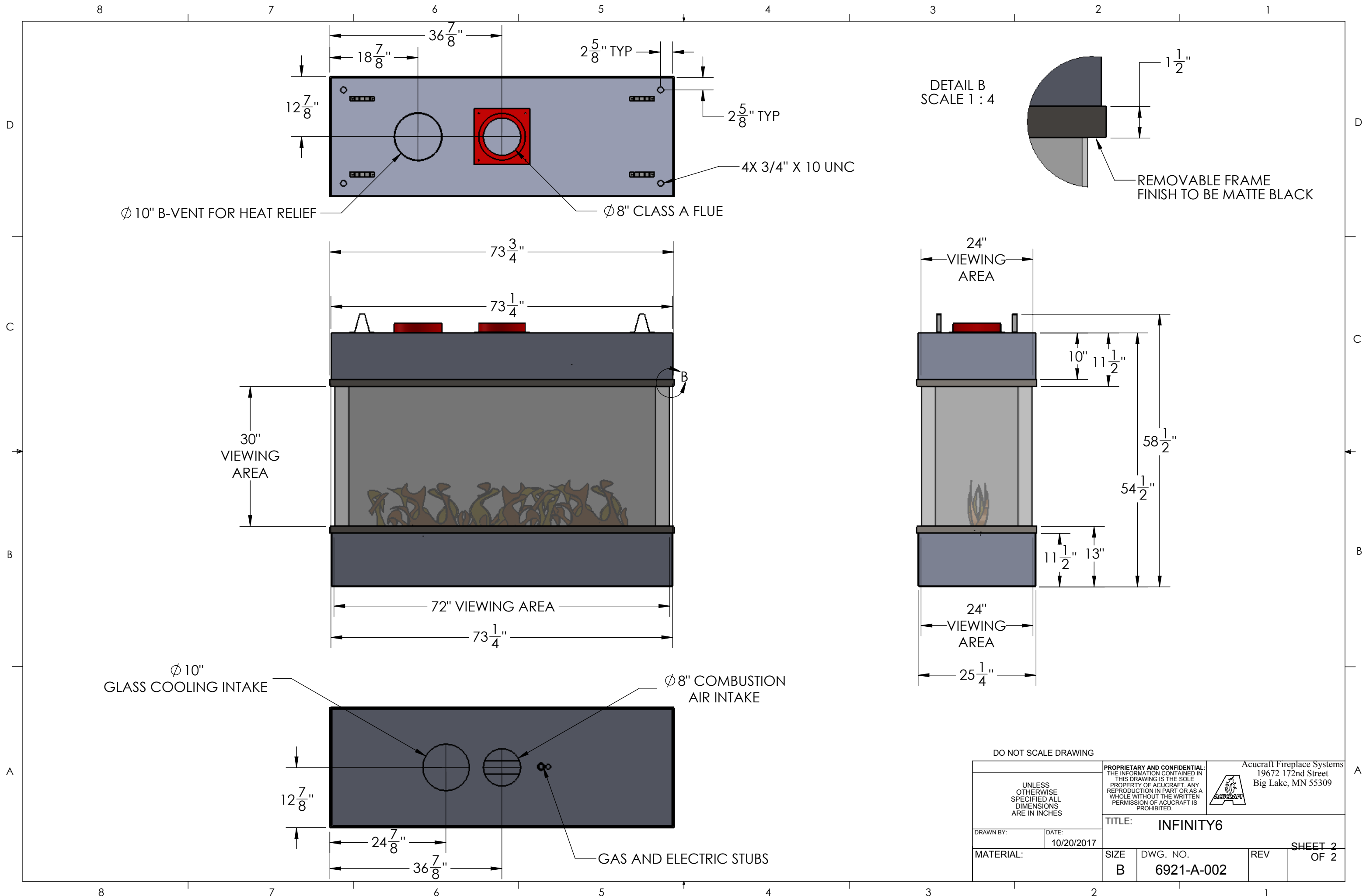
NOTES:

1. FIREPLACE HOOD TO BE SUPPORTED FROM ABOVE AS SPECIFIED ON DRAWING.
2. FINISH MATERIAL TO BE PROVIDED BY OTHERS
3. APPROXIMATE HOOD WEIGHT 500LBS
4. APPROXIMATE BTU 70,000
5. GAS TYPE - NG
6. GLASS TO BE INSTALLED BY OTHERS

DO NOT SCALE DRAWING

UNLESS OTHERWISE SPECIFIED ALL DIMENSIONS ARE IN INCHES	<small>PROPRIETARY AND CONFIDENTIAL: THE INFORMATION CONTAINED IN THIS DRAWING IS THE SOLE PROPERTY OF ACUCRAFT. ANY REPRODUCTION IN PART OR AS A WHOLE WITHOUT THE WRITTEN PERMISSION OF ACUCRAFT IS PROHIBITED.</small>		Acucraft Fireplace Systems 19672 172nd Street Lake, MN 55309	
	TITLE: INFINITY6			
DRAWN BY:	DATE:	SHEET 1		
	10/20/2017	REV	OF 2	
MATERIAL:	SIZE	DWG. NO.		
	B	6921-A-002		

8 7 6 5 4 3 2 1



DO NOT SCALE DRAWING

UNLESS OTHERWISE SPECIFIED ALL DIMENSIONS ARE IN INCHES	PROPRIETARY AND CONFIDENTIAL: THE INFORMATION CONTAINED IN THIS DRAWING IS THE SOLE PROPERTY OF ACUCRAFT. ANY REPRODUCTION IN PART OR AS A WHOLE WITHOUT THE WRITTEN PERMISSION OF ACUCRAFT IS PROHIBITED.		Acucraft Fireplace Systems 19672 172nd Street Big Lake, MN 55309	
	TITLE: INFINITY6			
DRAWN BY:	DATE:	SIZE	DWG. NO.	REV
	10/20/2017	B	6921-A-002	
MATERIAL:				SHEET 2 OF 2