

8 7 6 5 4 3 2 1

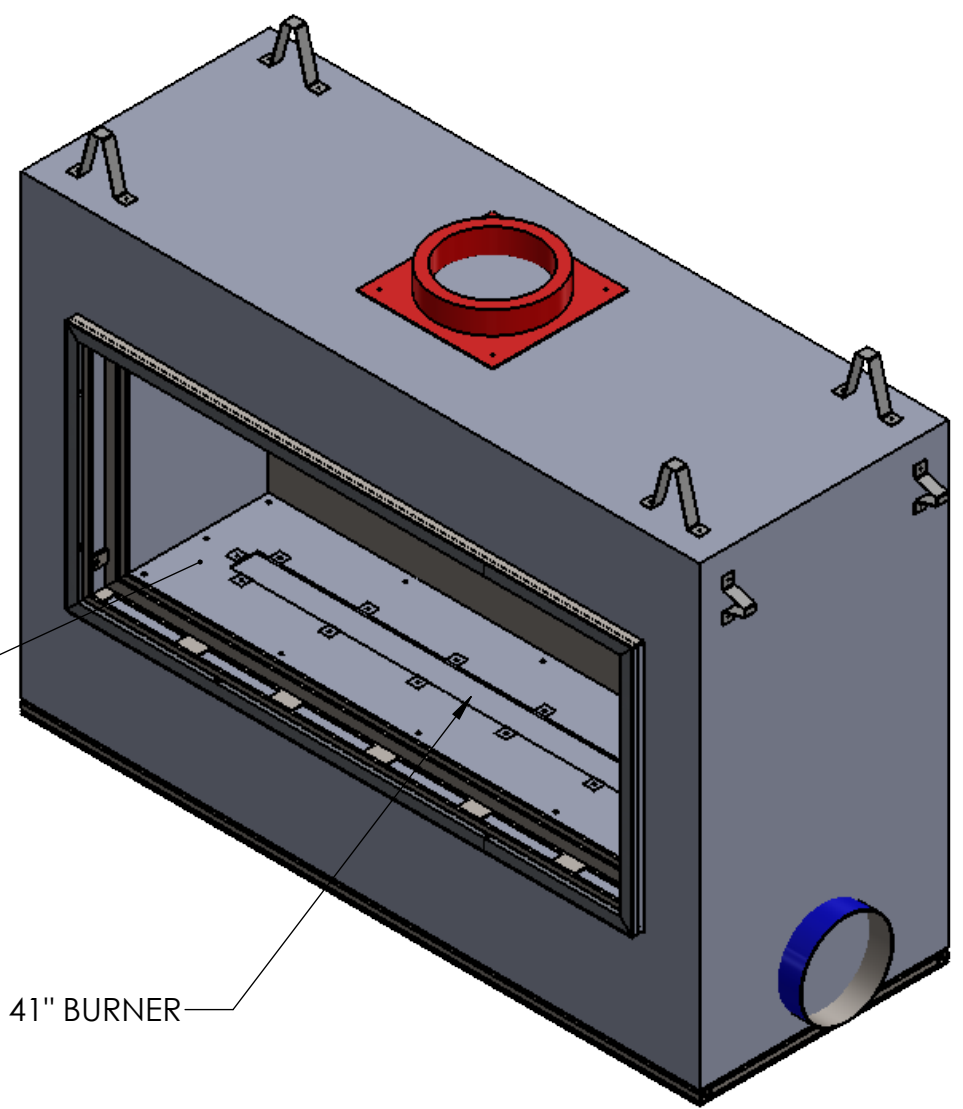
REVISIONS			
REV.	DESCRIPTION	ECO	DATE

D
C
B
A

D
C
B
A


MESH TO BE COVERED WITH GLASS
MEDIA COLOR TO BE DETERMINED

41" BURNER



NOTES:

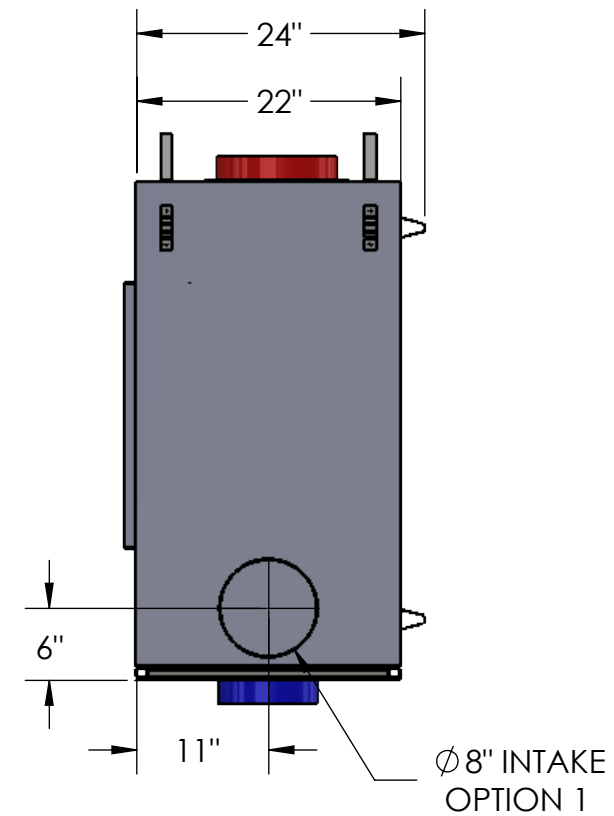
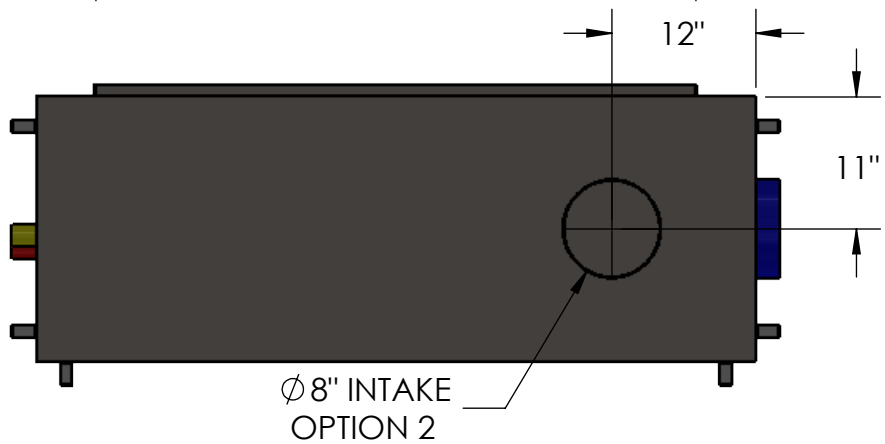
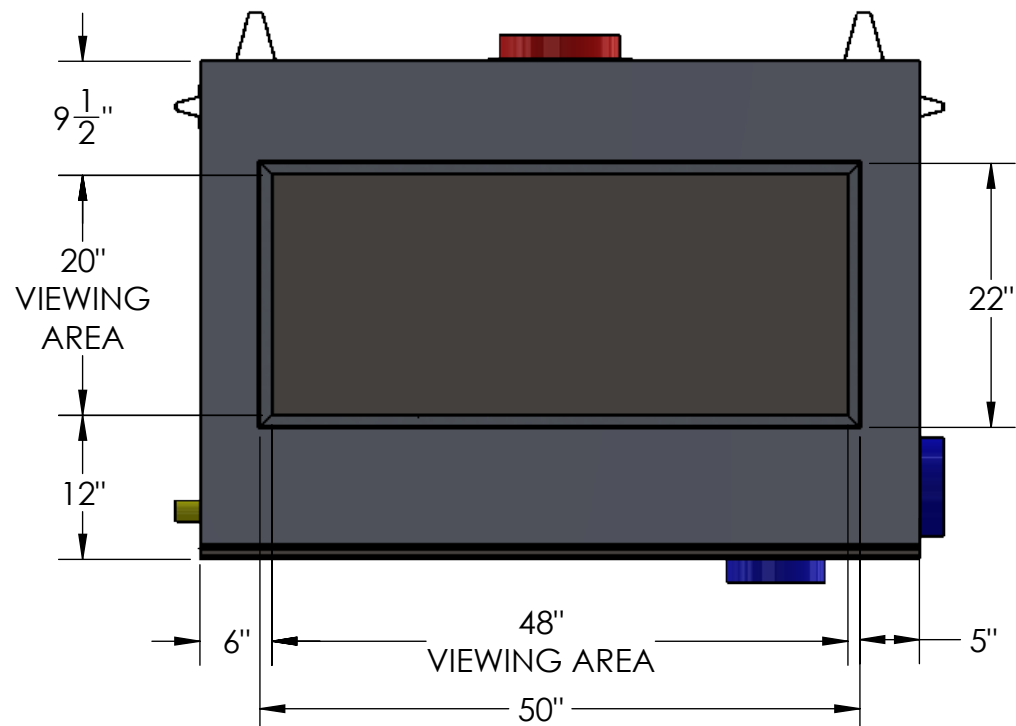
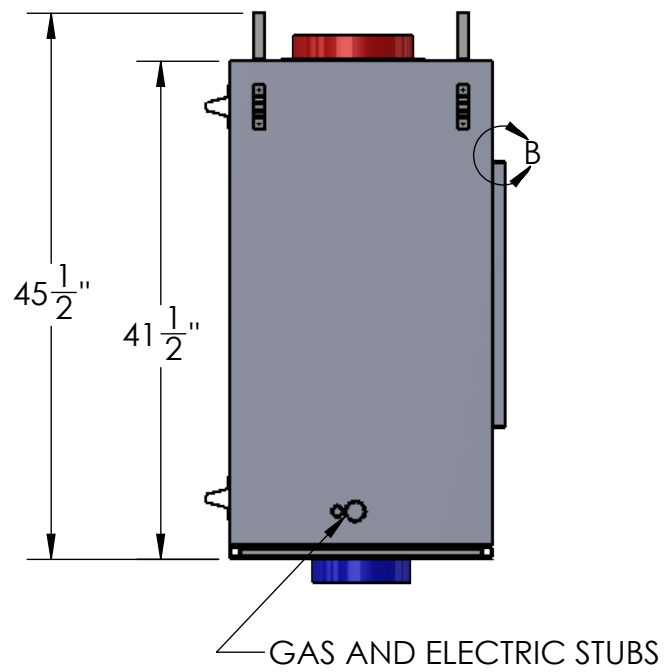
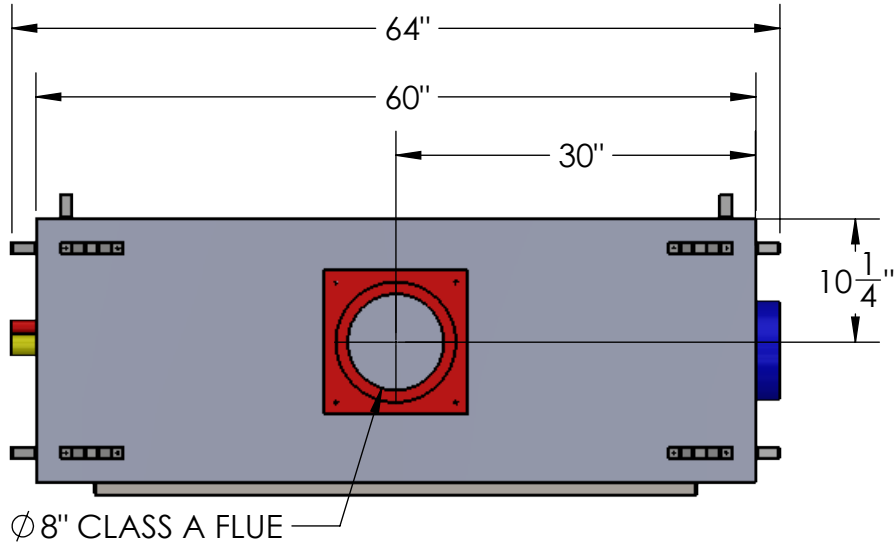
1. CLEARANCE TO COMBUSTIBLES TO BE 4" ON TOP AND 2" ON BACK AND SIDES
2. FRAME AND FIREBOX TO BE FINISHED MATTE BLACK
3. APPROXIMATE BTUS: 52,000


DO NOT SCALE DRAWING		<small>PROPRIETARY AND CONFIDENTIAL: THE INFORMATION CONTAINED IN THIS DRAWING IS THE SOLE PROPERTY OF ACUCRAFT. ANY REPRODUCTION IN PART OR AS A WHOLE WITHOUT THE WRITTEN PERMISSION OF ACUCRAFT IS PROHIBITED.</small>		 Acucraft Fireplace Systems 19672 172nd Street Big Lake, MN 55309	
UNLESS OTHERWISE SPECIFIED ALL DIMENSIONS ARE IN INCHES		TITLE: SIG4 SINGLE SIDED			
DRAWN BY:	DATE: 6/7/2018	SIZE B	DWG. NO. SIG4-A-002B	REV	SHEET 1 OF 2

8 7 6 5 4 3 2 1

1" REVEAL

DETAIL B
SCALE 1 : 6



DO NOT SCALE DRAWING		PROPRIETARY AND CONFIDENTIAL: THE INFORMATION CONTAINED IN THIS DRAWING IS THE SOLE PROPERTY OF ACUCRAFT. ANY REPRODUCTION IN PART OR AS A WHOLE WITHOUT THE WRITTEN PERMISSION OF ACUCRAFT IS PROHIBITED.		 Acucraft Fireplace Systems 19672 172nd Street Big Lake, MN 55309	
UNLESS OTHERWISE SPECIFIED ALL DIMENSIONS ARE IN INCHES		TITLE: SIG4 SINGLE SIDED			
DRAWN BY:	DATE: 6/7/2018	SIZE B	DWG. NO. SIG4-A-002B	REV	SHEET 2 OF 2
MATERIAL:					